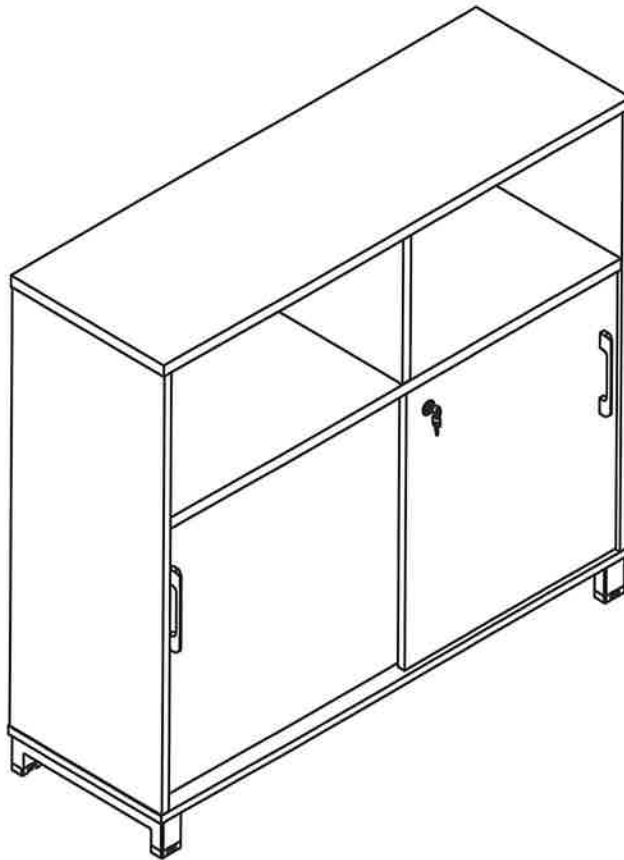




NBF



Bookcase Cabinet Assembly Instructions














O-EST-1240D

1.

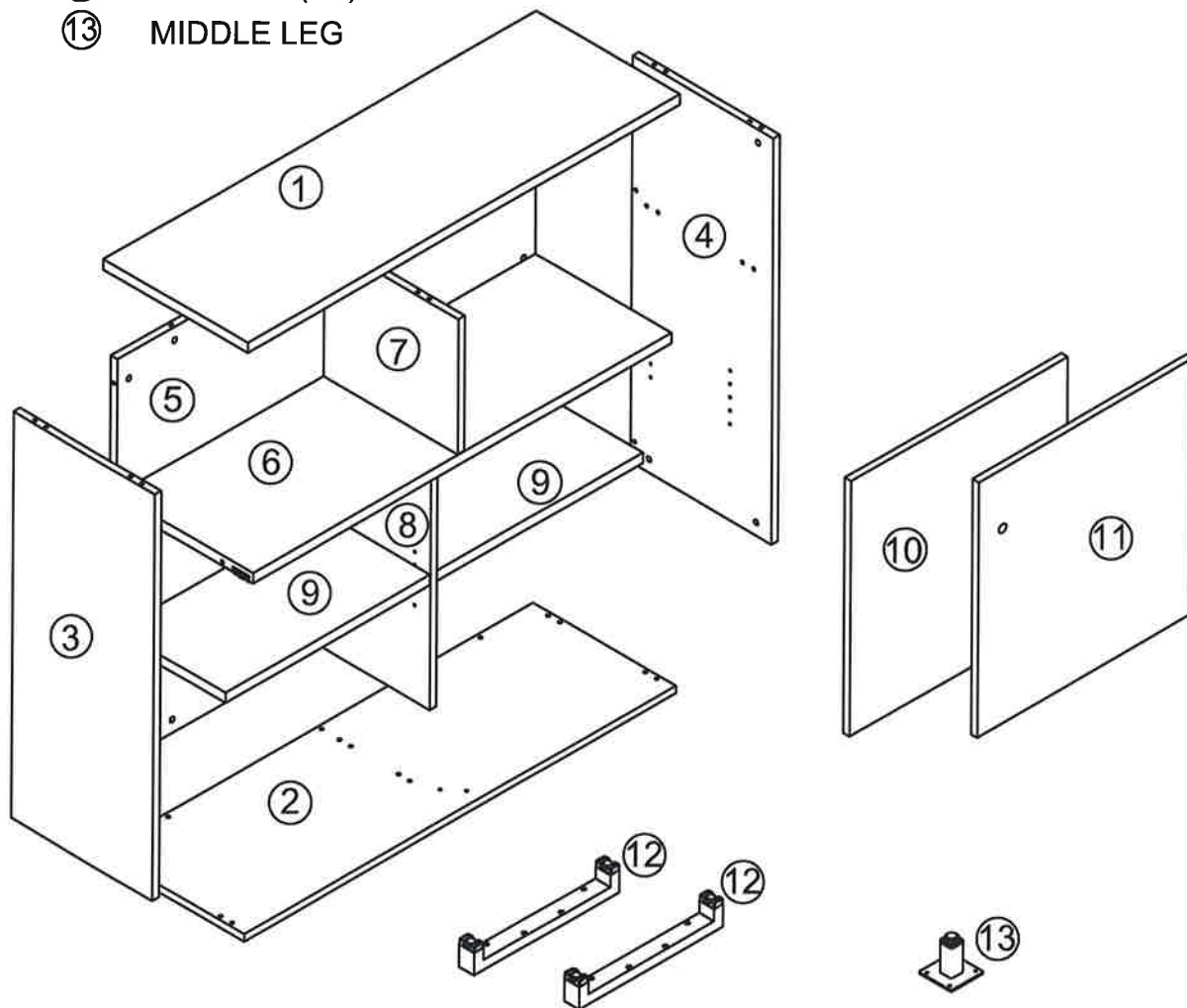


Assembly HARDWARE

S/N	PICTURE	NAME	TOTAL QTY	REMARK
A		Cam lock	36+1PCS	
B		Klix Cam	36+1PCS	
C		Cam cover	36+1PCS	
D		Dowel	23+1PCS	
E		Screw $\phi 6 \times 12$	12+1PCS	
F		Handle With Screws	2PCS	
G		Shelf peg	8+1PCS	
H		Sliding rail	4PCS	
I		Stopper	2PCS	
J		Wheel	4PCS	
k		Lock/keys with screws	1PCS	

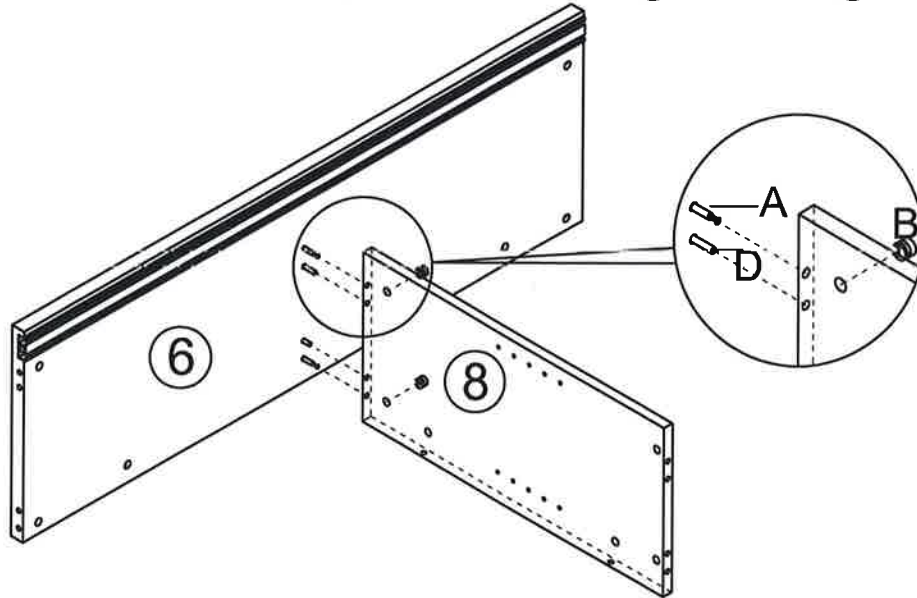
PART LIST

- ① TOP PANEL
- ② BOTTOM PANEL
- ③ LEFT SIDE PANEL
- ④ RIGHT SIDE PANEL
- ⑤ BACK PANEL
- ⑥ UPPER SHELF
- ⑦ UPPER MIDDLE DIVIDER
- ⑧ LOWER MIDDLE DIVIDER
- ⑨ ADJUSTABLE SHELF(2x)
- ⑩ LEFT DOOR PANEL
- ⑪ RIGHT DOOR PANEL
- ⑫ SIDE LEG(2X)
- ⑬ MIDDLE LEG

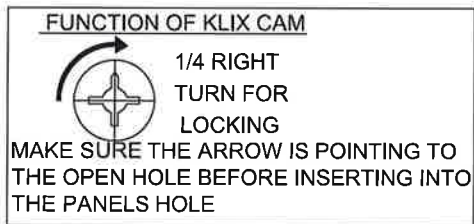


1. INSTALL "A" CAM SCREWS AND "D" DOWELS TO UNDERSIDE OF PANEL ⑥, INSTALL "B" KLIX CAMS INTO PANEL ⑧. THEN CONNECT ⑥ TO PANEL ⑧, TIGHTEN.

A(2X)
B(2X)
D(2X)

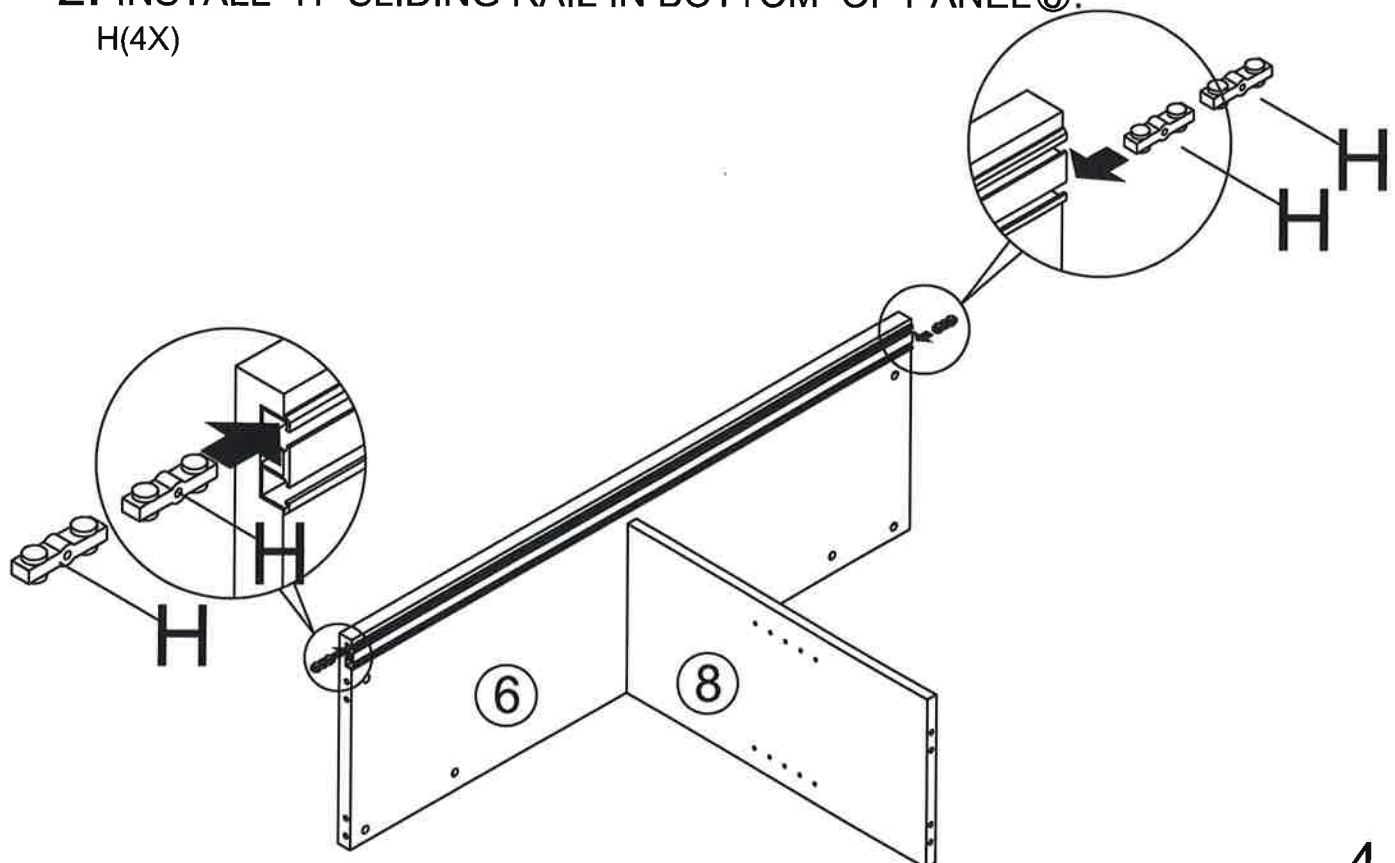


IMPORTANT:



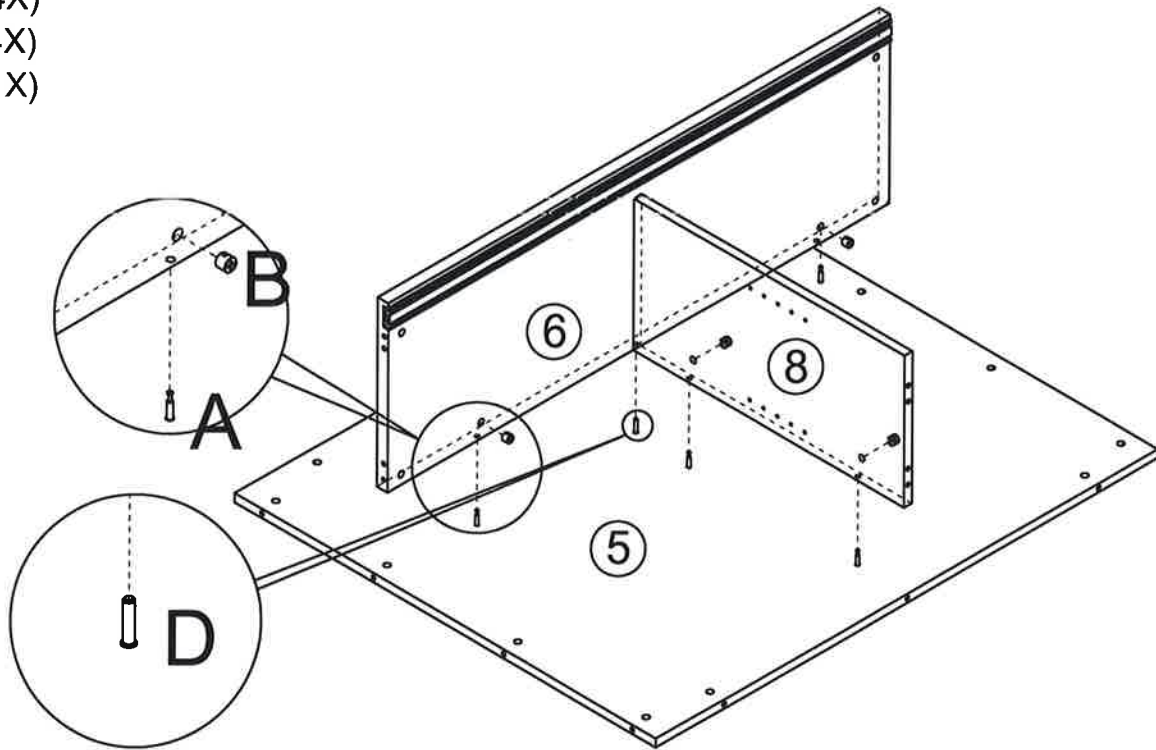
2. INSTALL "H" SLIDING RAIL IN BOTTOM OF PANEL ⑥.

H(4X)



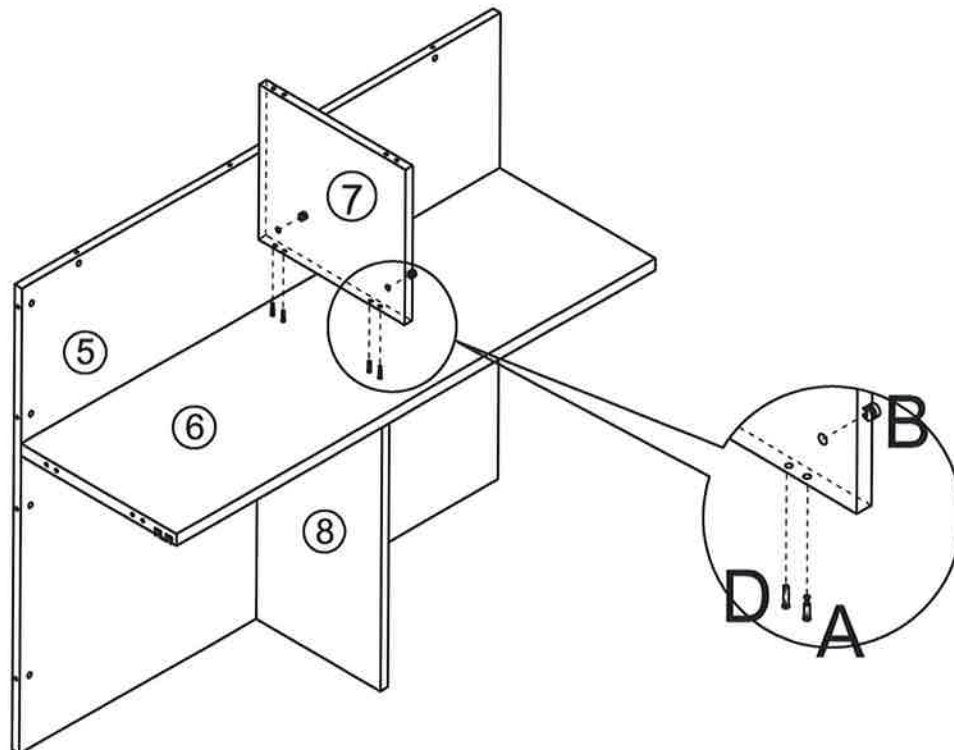
3. INSTALL "A" CAM SCREWS AND "D" DOWELS ON BACK PANEL ⑤. INSTALL "B" KLIX CAMS INTO PANEL ⑥ & ⑧. THEN CONNECT PANEL ⑤ TO ⑥ & ⑧ USING "B" KLIX CAMS. TIGHTEN.

- A(4X)
- B(4X)
- D(1X)

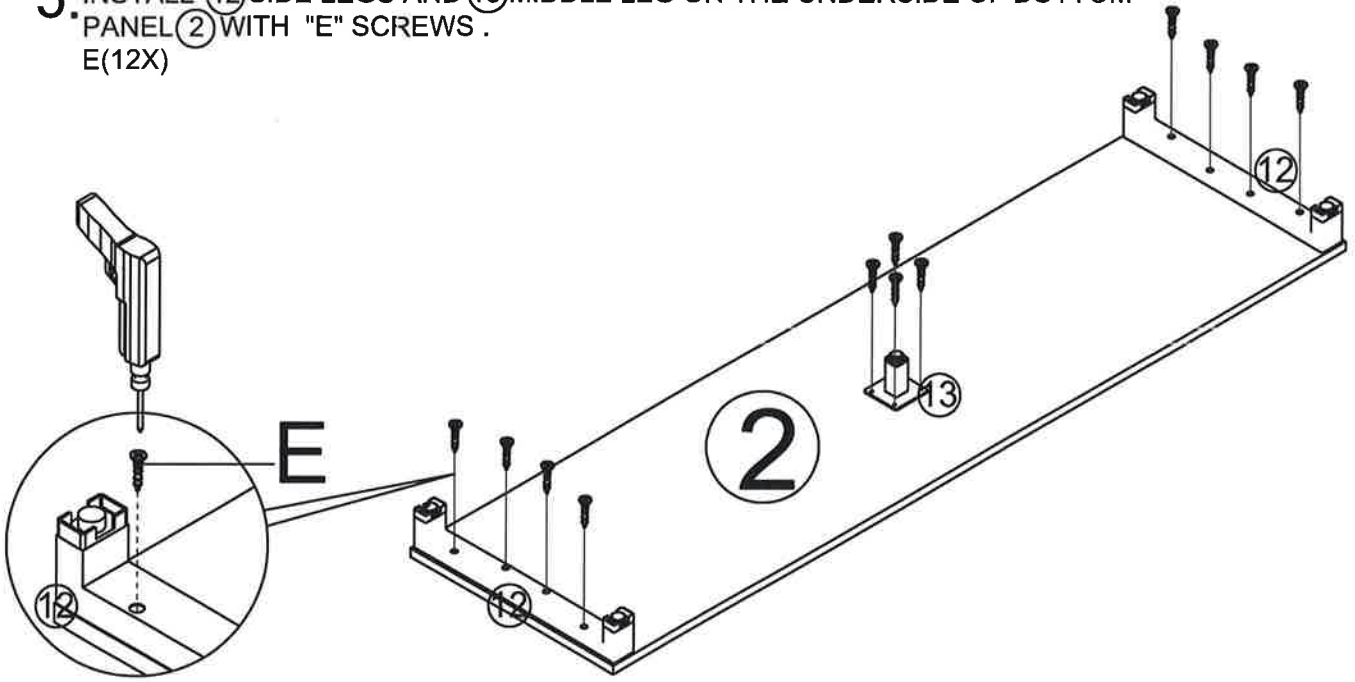


4. INSTALL "A" KLIX CAMS AND "D" DOWELS ON PANEL ⑥. INSTALL "B" KLIX CAMS INTO PANEL ⑦. THEN CONNECT PANEL ⑦ TO ⑥ USING "B", TIGHTEN.

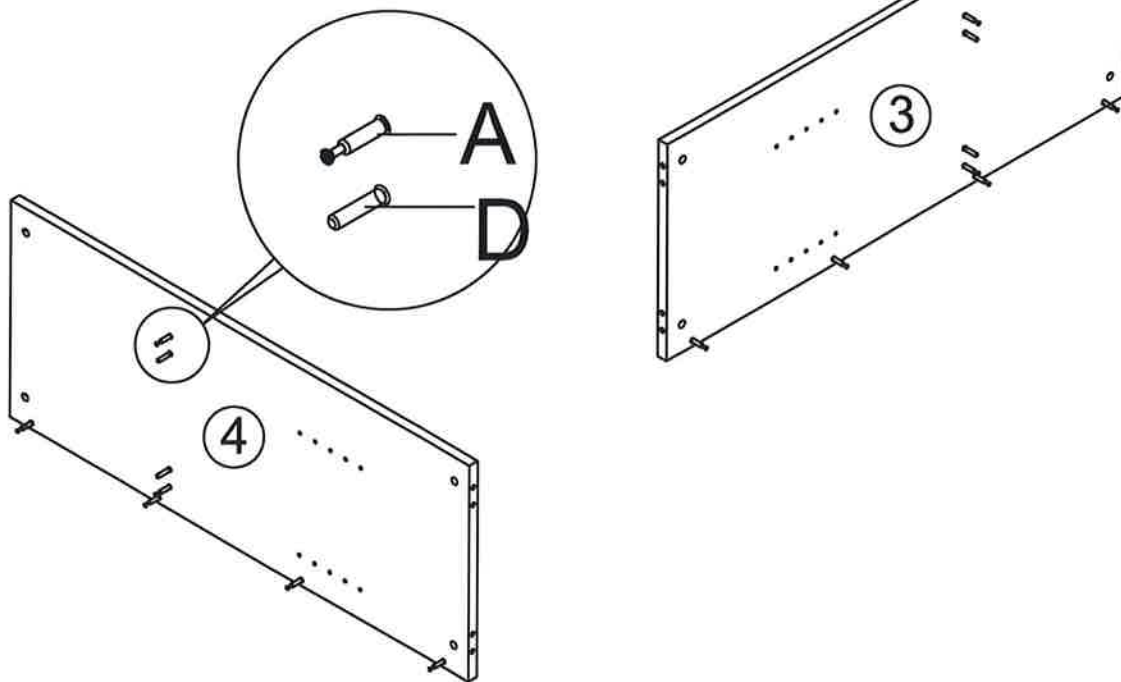
- A(2X)
- B(2X)
- D(2X)



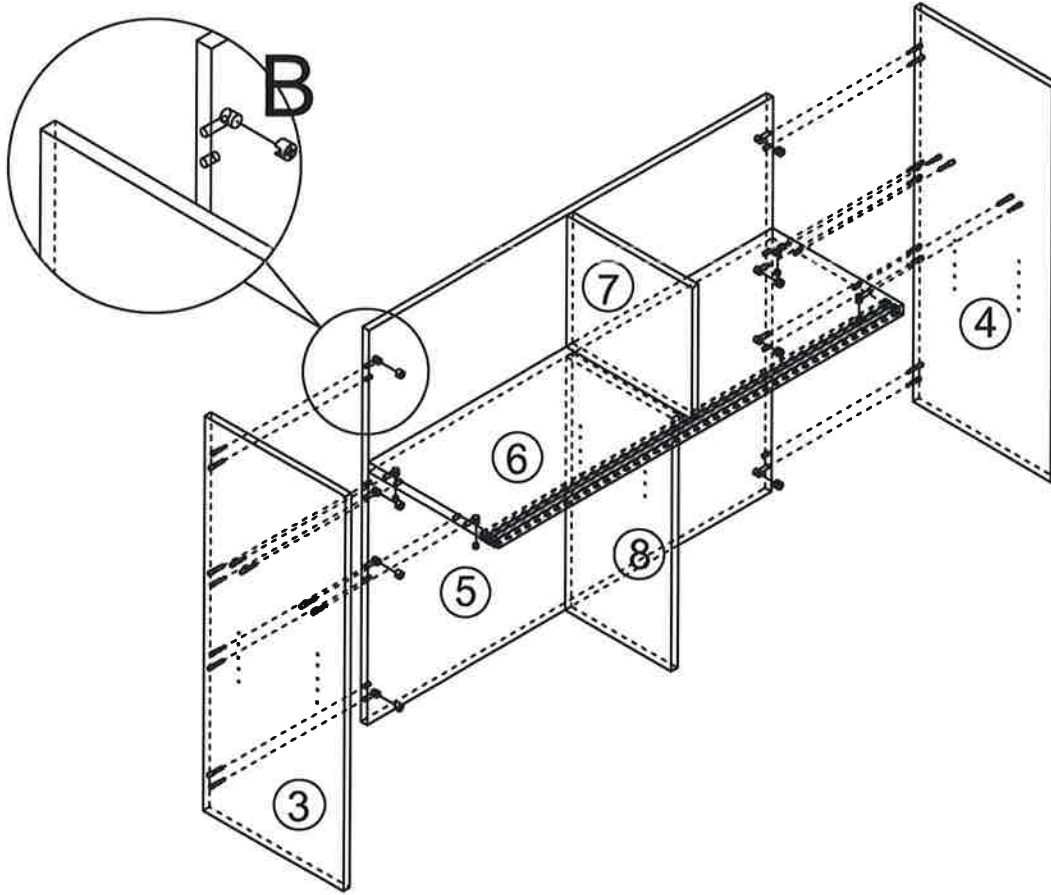
5. INSTALL (12) SIDE LEGS AND (13) MIDDLE LEG ON THE UNDERSIDE OF BOTTOM PANEL (2) WITH "E" SCREWS.
E(12X)



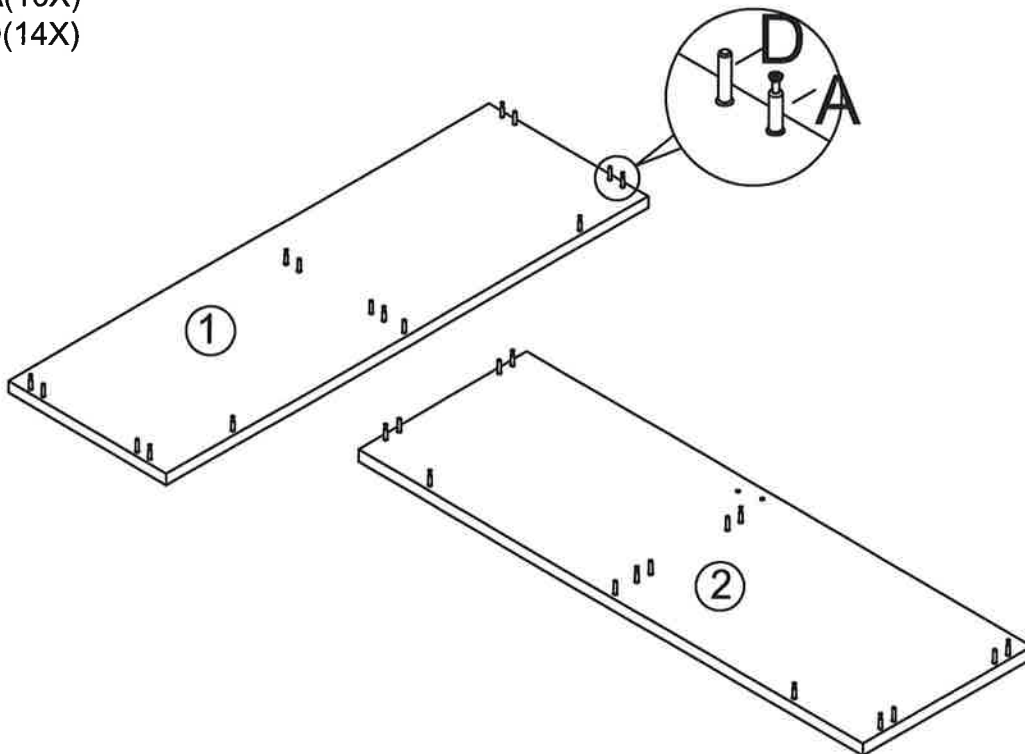
6. INSTALL "A" KLIX CAMS AND "D" DOWELS ON SIDE PANELS (3) & (4).
A(12X)
D(4X)



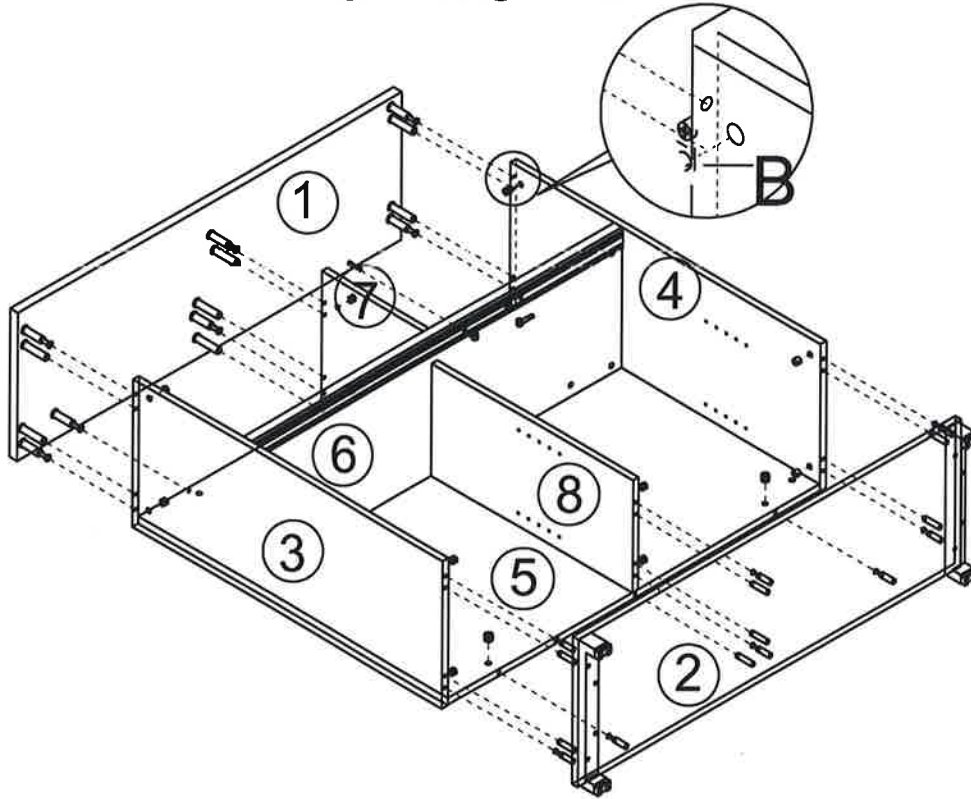
7. INSTALL "B" KLIX CAMS INTO PANELS ⑤ & ⑥. THEN CONNECT SIDE PANELS ③ TO ⑤ & ⑥, TIGHTEN. REPEAT TO CONNECT PANEL ④ TO ⑤ & ⑥.
B(12X)



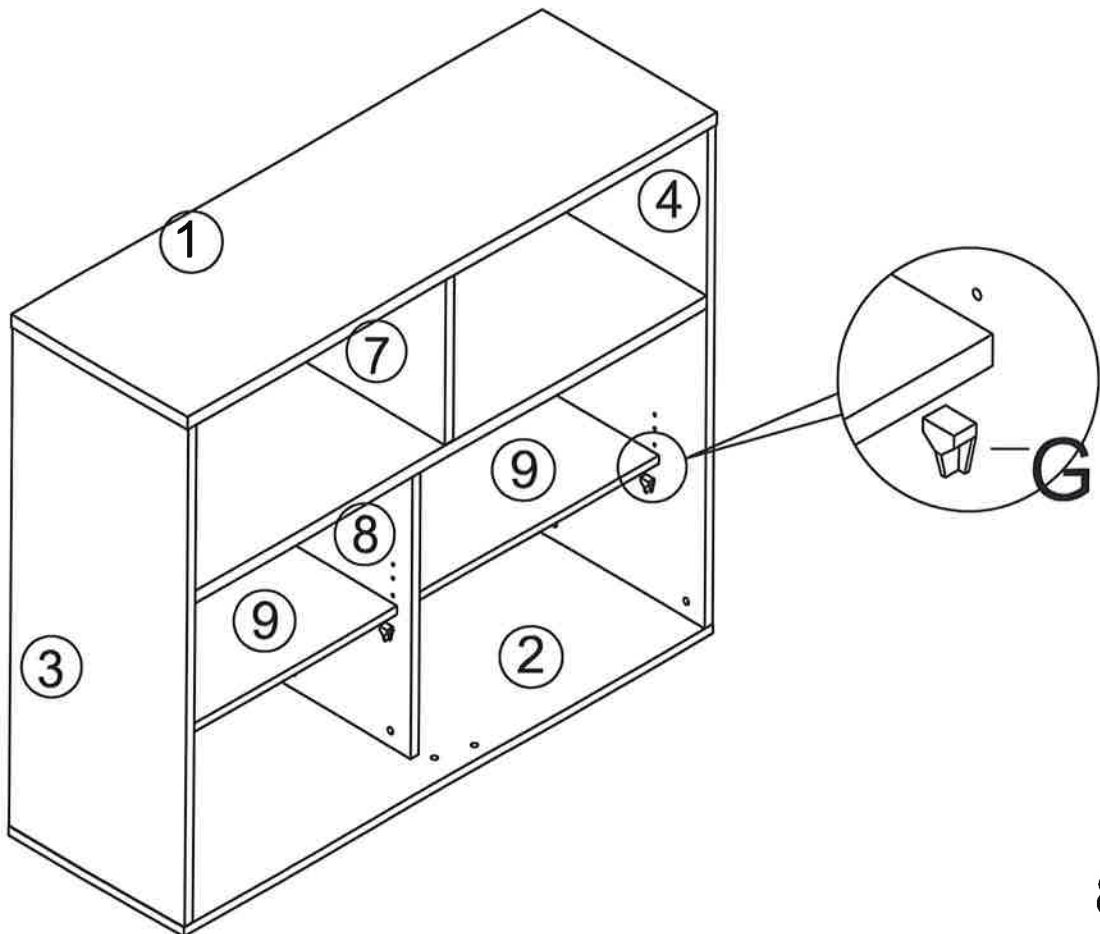
8. INSTALL "A" CAM SCREWS AND "D" DOWELS ON PANELS ① & ②.
A(16X)
D(14X)



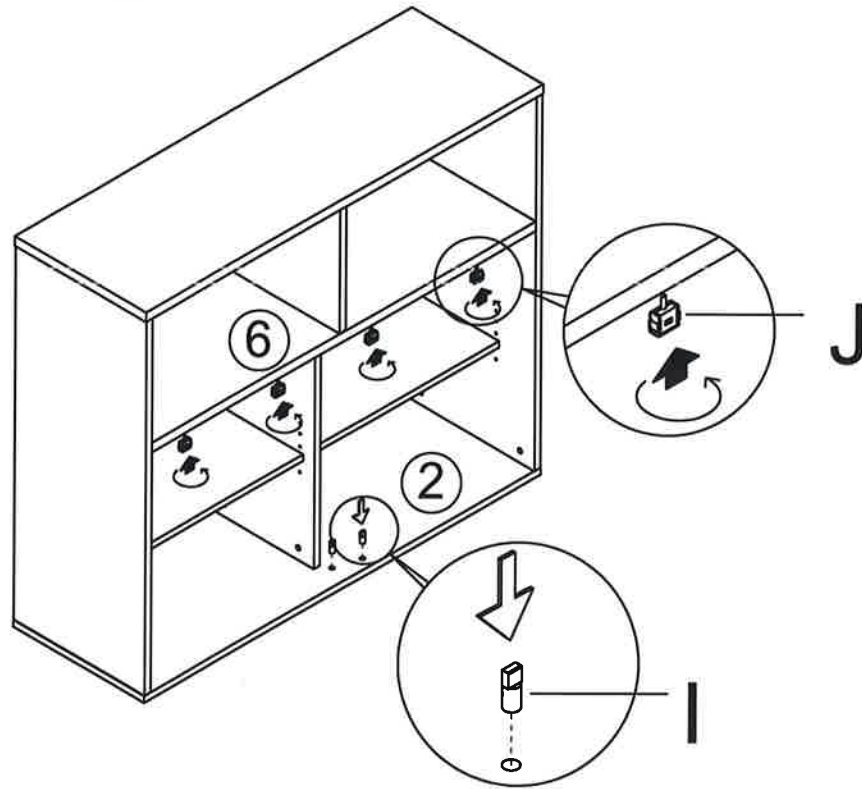
9. INSTALL "B" KLIX CAMS INTO PANELS ③④⑤⑦&⑧. CONNECT PANEL ① TO ③④⑤ & ⑦ USING INSTALLED "A" CAM SCREWS AND "D" DOWELS, TIGHTEN. REPEAT TO CONNECT PANEL ② TO ③④⑤&⑧.
B(16X)



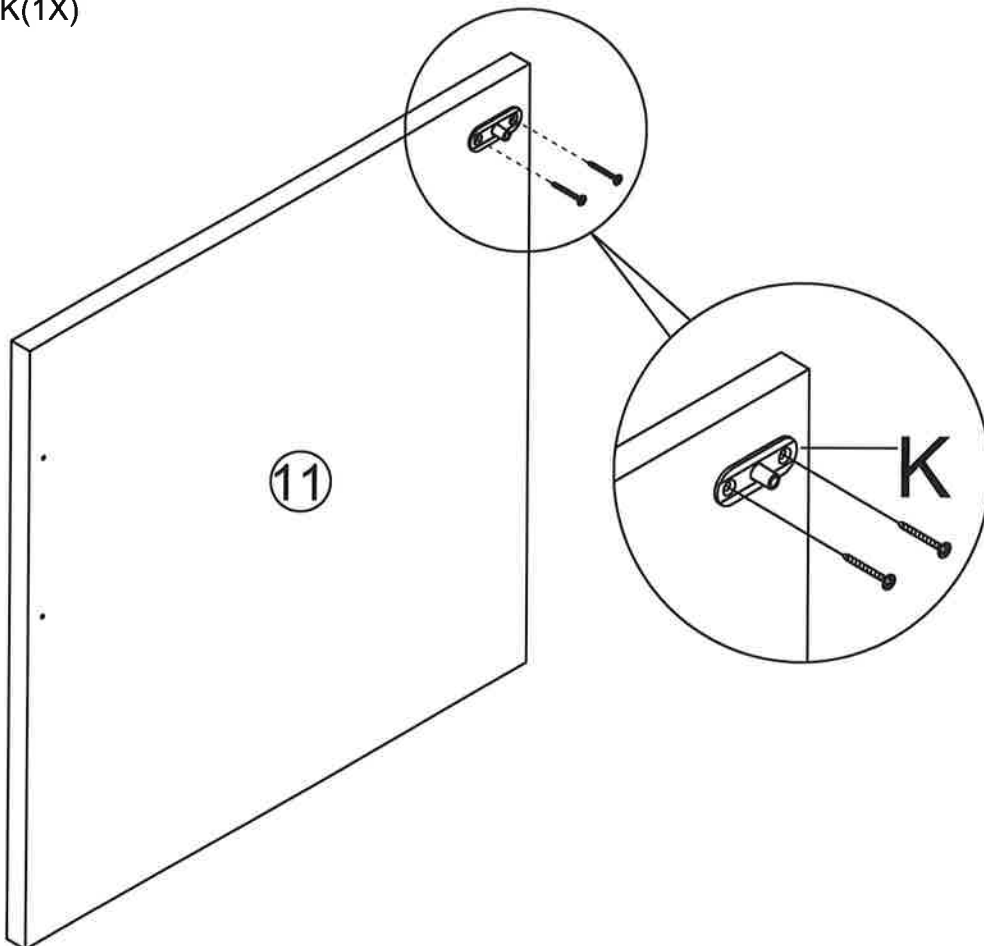
10. INSTALL "G" SHELF PEGS ON PANELS ③④&⑧, 4 ON EACH SIDE. THEN PUT SHELVES ⑨ INSIDE ON "G" SHELF PEGS.
G(8X)



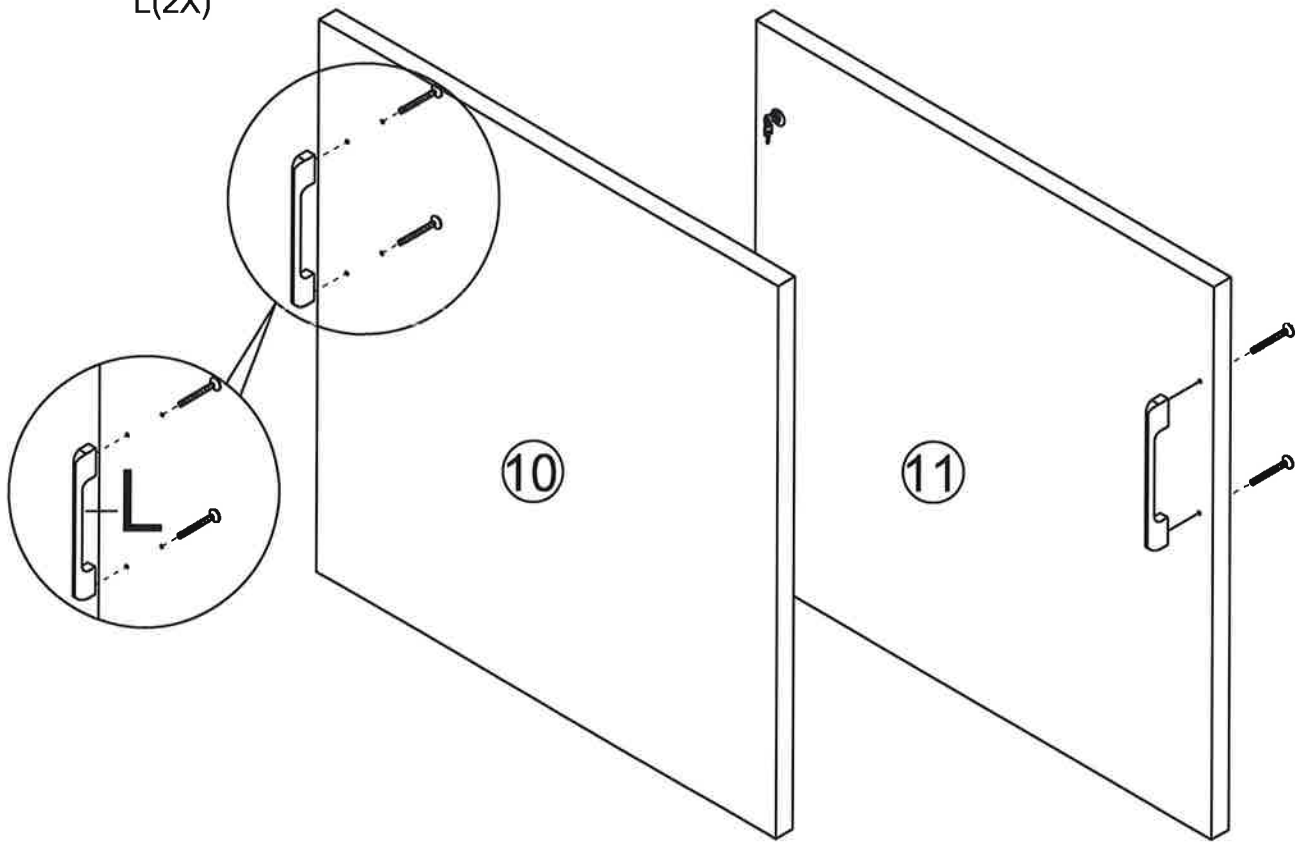
11. INSTALL "J" WHEELS ON UNDERSIDE OF PANEL ⑥, THEN INSTALL "I" STOPPERS ON PANEL ② AS SHOWN .
I(2X)
J(4X)



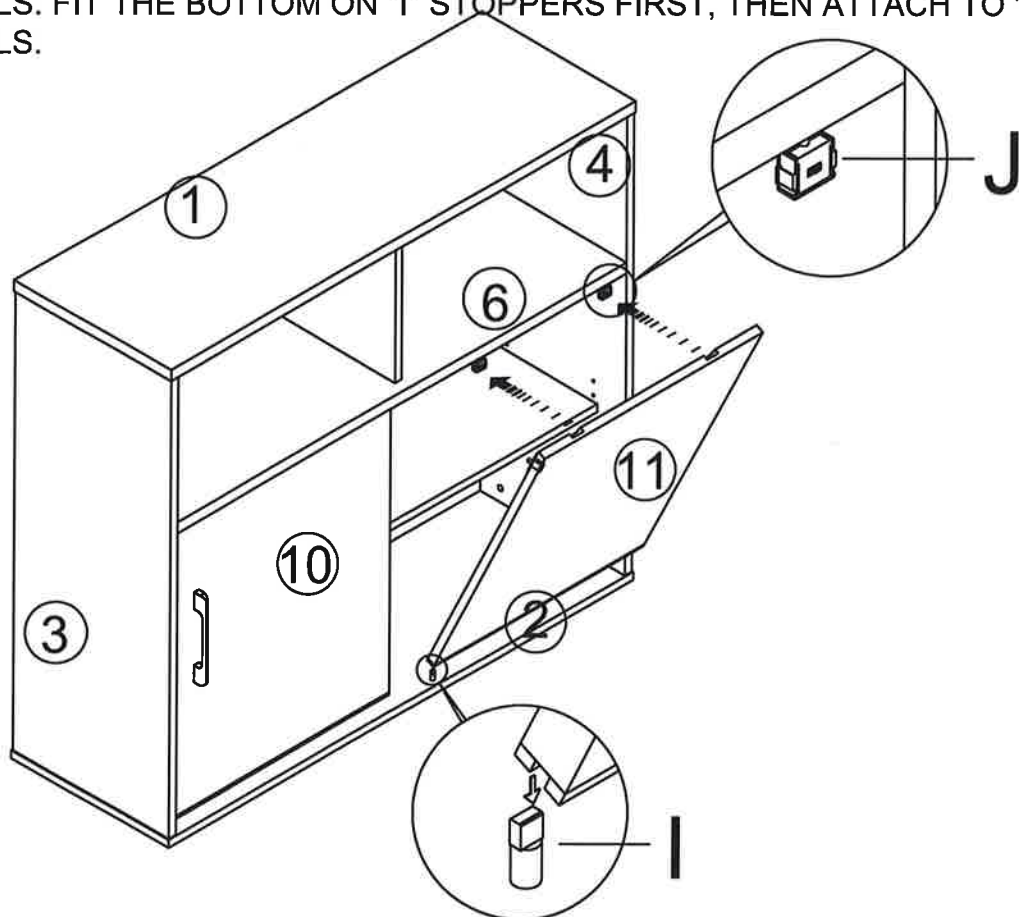
12. INSTALL "K" LOCK ON DOOR ⑪.
K(1X)



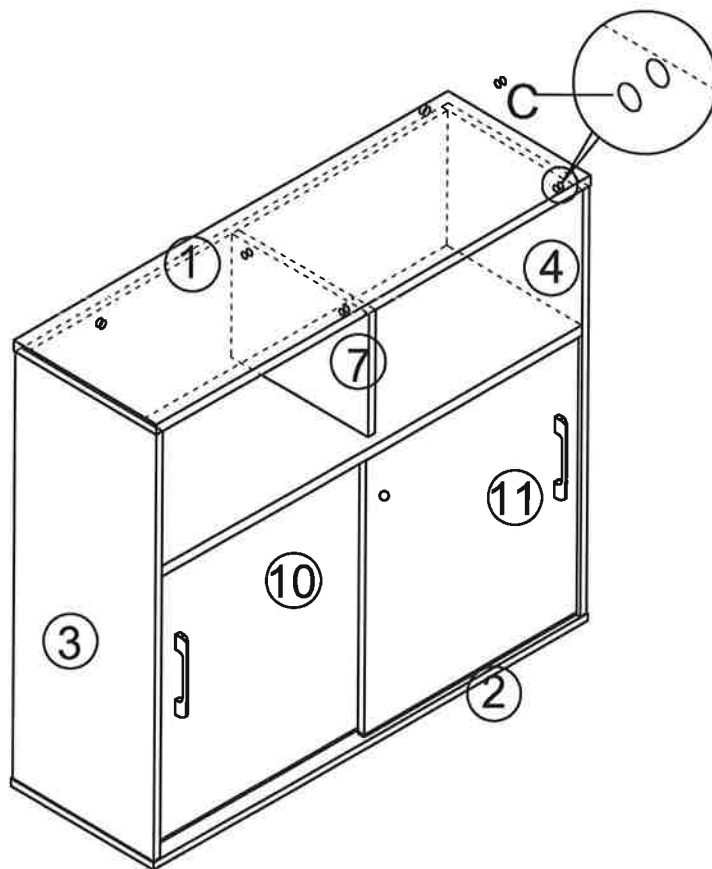
13. INSTALL "L" HANDLES ON OUTSIDE OF DOOR ⑩ & ⑪, ONE PER DOOR.
L(2X)



14. INSTALL DOORS ⑩ & ⑪ USING ALREADY INSTALLED "I" STOPPERS AND "J" WHEELS. FIT THE BOTTOM ON "I" STOPPERS FIRST, THEN ATTACH TO "J" WHEELS.



15. USE "C" COVER STICKERS TO COVER ALL EXPOSED KLIX CAMS.
C(36X)



16. COMPLETE

