

8 7 6 5 4 3 2 1

D

D

C

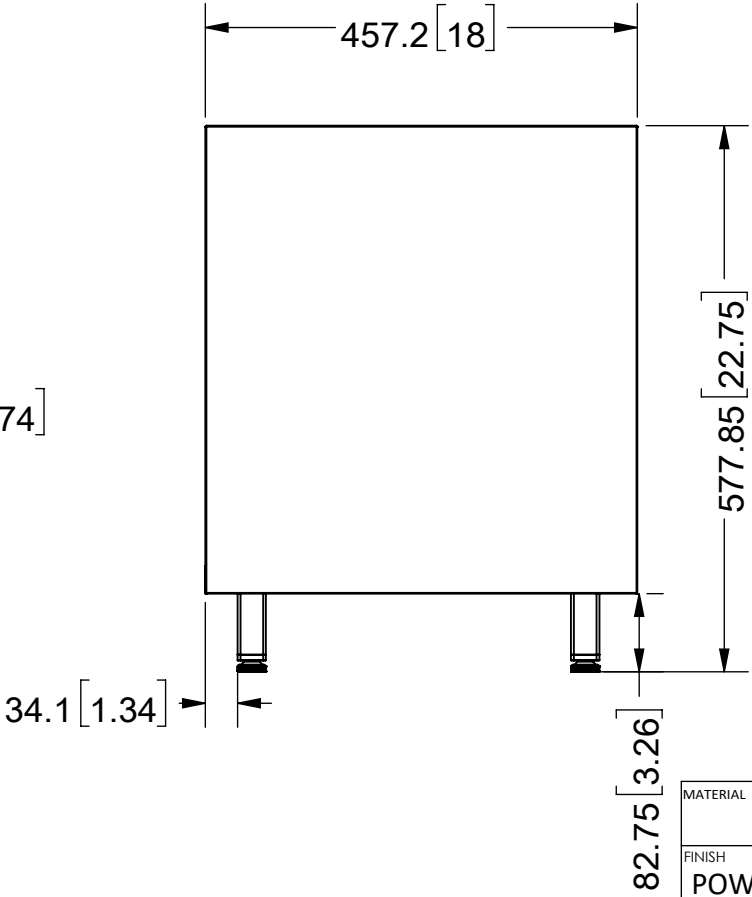
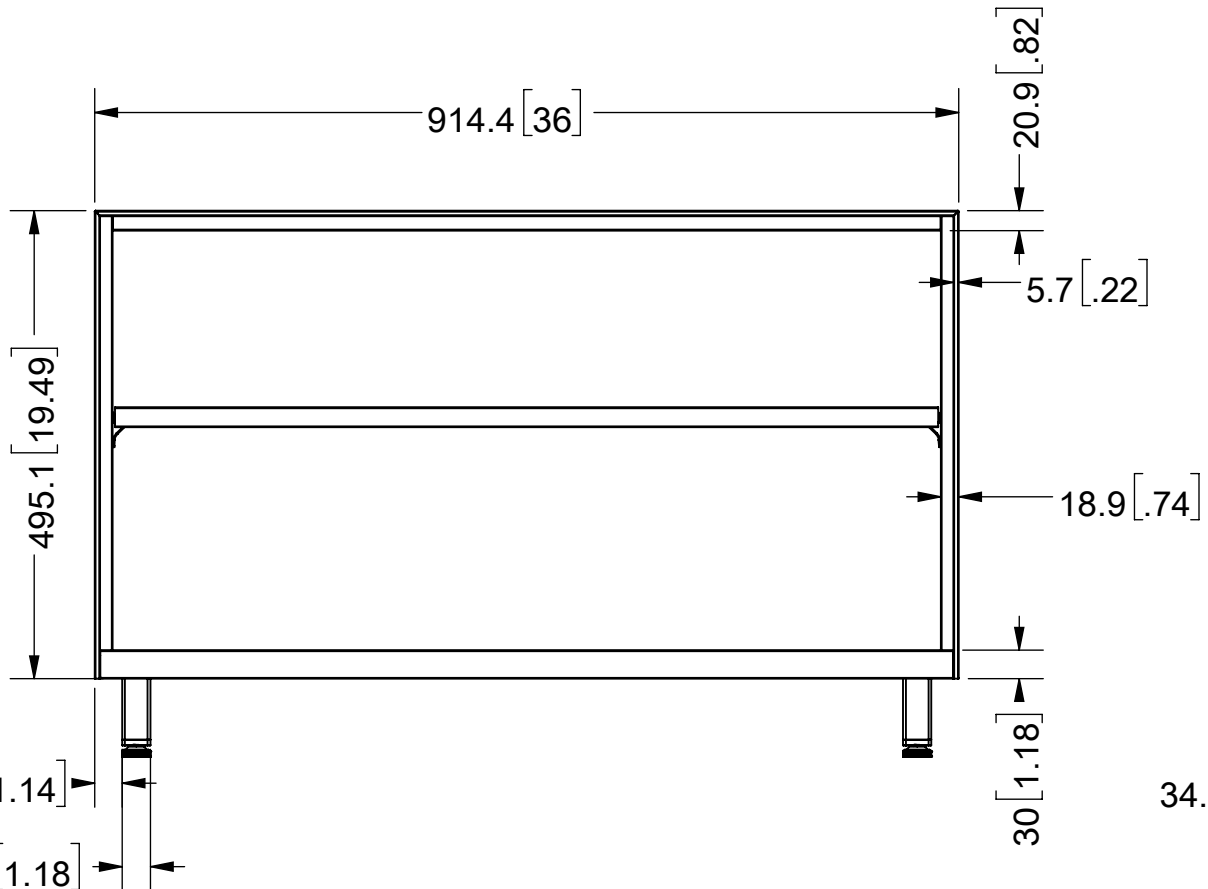
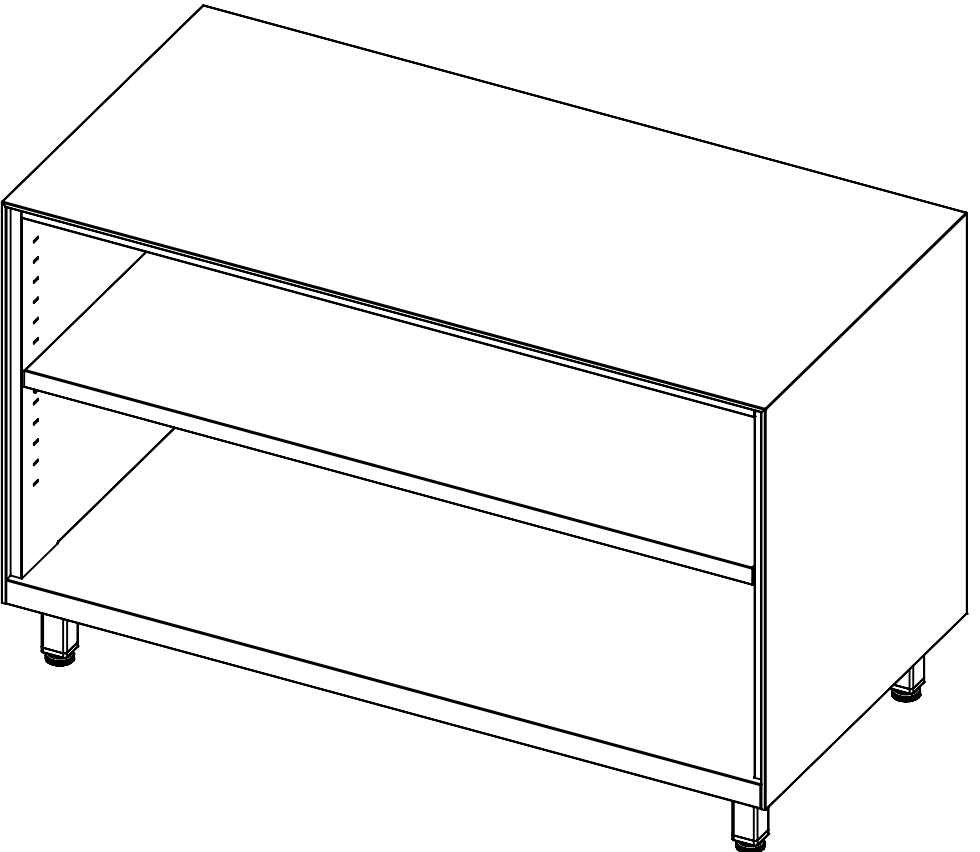
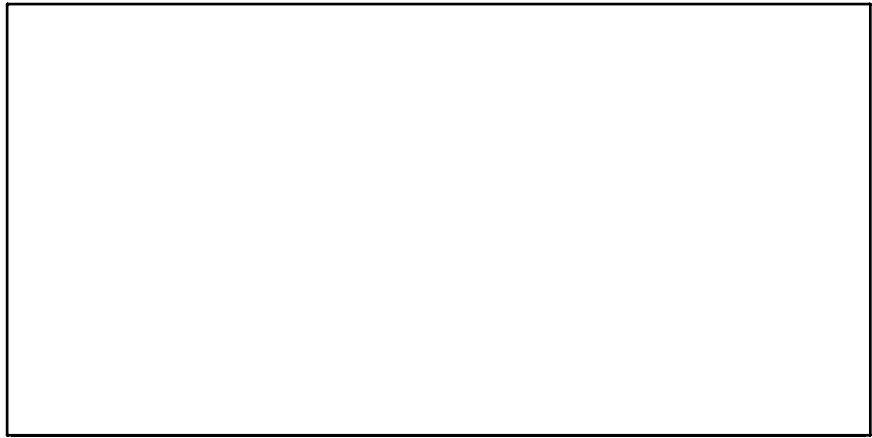
C

B

B

A

A



|                          |                |   |  |                  |
|--------------------------|----------------|---|--|------------------|
|                          | NAME           | DATE  | <b>ANN YANG INC.</b> TEL:03-5688179 FAX:03-5689119 |                  |
| DRAWN                    | <i>Kennedy</i> | 2019/7/19   | TITLE:<br><b>36in Bookcase</b>                     |                  |
| CHECKED                  |                |   | SIZE   | DWG. NO.         |
| ENG APPR.                |                |   | <b>B</b>   | <b>AY422-A01</b> |
| MFG APPR.                |                |   | SCALE: 1:8   | WEIGHT:          |
| Q.A.                     |                |   | SHEET 1 OF 1                                       |                  |
| MATERIAL                 |                | COMMENTS:<br>1. CHECK DIMENSIONS<br>2. REMOVE ALL SHARP EDGE & BURRS. |  |                  |
| FINISH<br>POWDER COATING |                | DO NOT SCALE DRAWING  |  |                  |

8 7 6 5 4 3 2 1