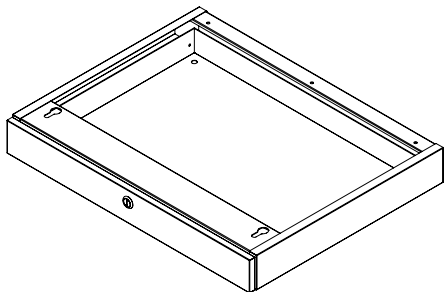


Congratulations on the purchase of your new *Signature Series* product!

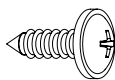
COMPONENTS

A. Center Drawer *1pc



HARDWARE

(1).Self-tapping
Screw #10*3/4"-3pcs



(2).Shoulder Rivet-2pcs

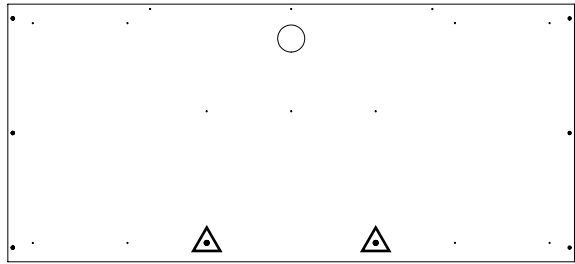


(3).Flat Head Screw
#10*1" -2pcs



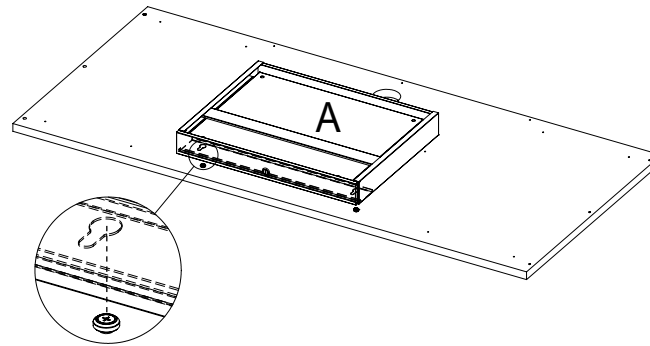
Congratulations on the purchase of your new *Signature Series* product!

INSTRUCTIONS FOR Center Drawer

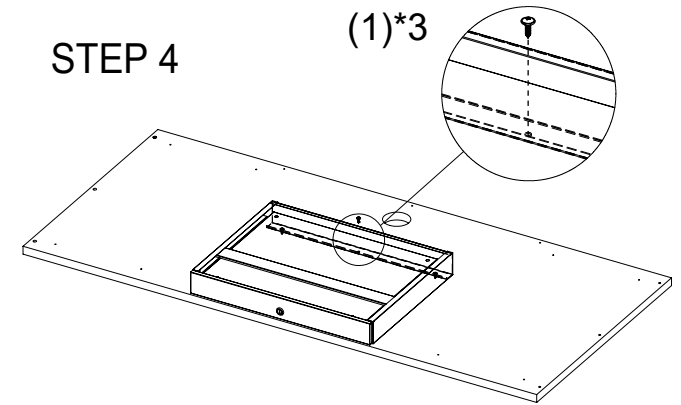


FRONT \triangle Shoulder Rivet holes

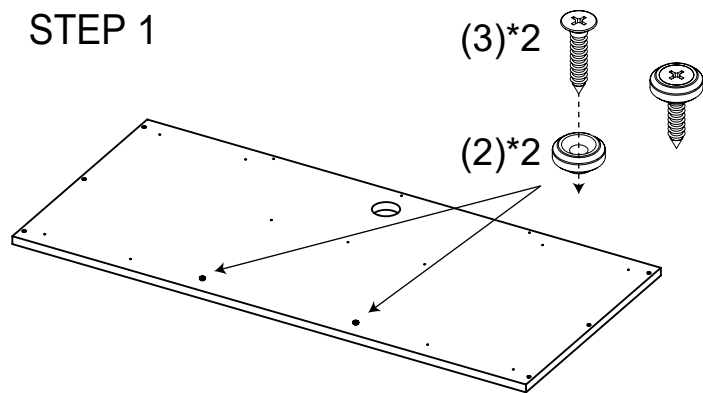
STEP 2



STEP 4



STEP 1



STEP 3

