

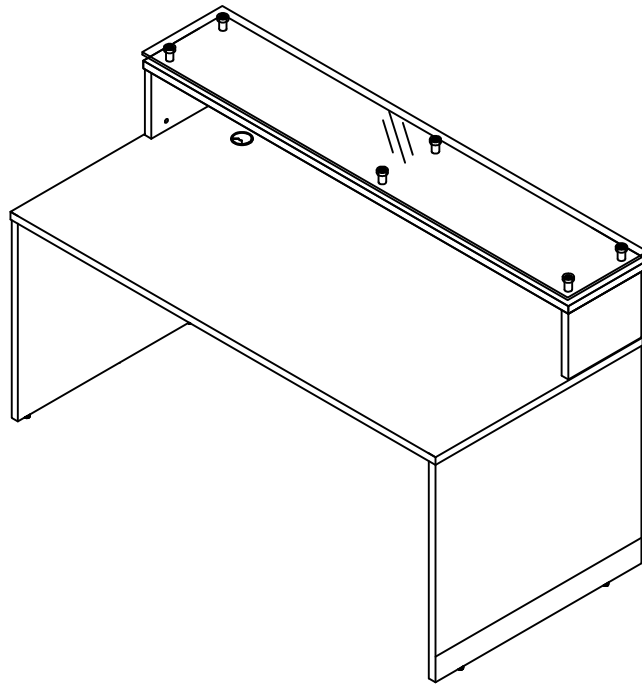


800-558-1010 | www.NBF.com

Esquire Collection - 47" Straight Desk

ASSEMBLY INSTRUCTIONS

Congratulations on the purchase of your new Signature Series product!


















800-558-1010 | www.NBF.com

Esquire Collection - 47" Straight Desk

ASSEMBLY INSTRUCTIONS

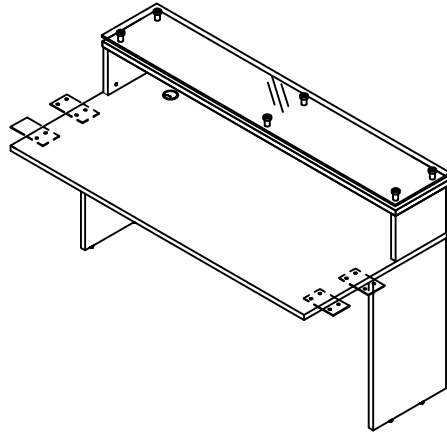
Congratulations on the purchase of your new Signature Series product!

Assembly HARDWARE				
S/N	PICTURE	NAME	TOTAL QTY	REMARK
A		Cam Screw	26+1(SPARE)	
B		Klix Cam	26+1(SPARE)	
C		Cam Cover Sticker	36+1(SPARE)	Use to cover any klix cam or desk top hole.
D		Dowel	20+1(SPARE)	
E		Grommet	4PCS	2x metal silver and 2x black plastic
F		Screw #10*40	6PCS	
G		Cushion	6PCS	
H		Screw	6PCS	
I		Leveler	4PCS	
J		L-bracket	5PCS	
K		Ø4*16 Screw	30PCS	
L	 L1  L2	Connector bracket Ø6X12 Screw	4SET	

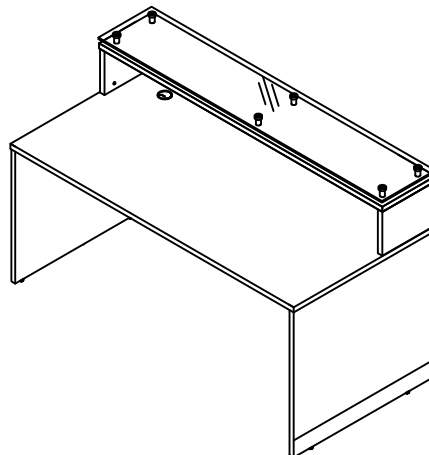
IMPORTANT: THERE ARE TWO OPTIONS FOR THIS STRAIGHT DESK AS SHOWN BELOW. PLEASE DECIDE WHICH ONE YOU NEED BEFORE BEGINNING ASSEMBLY.

Congratulations on the purchase of your new Signature Series product!

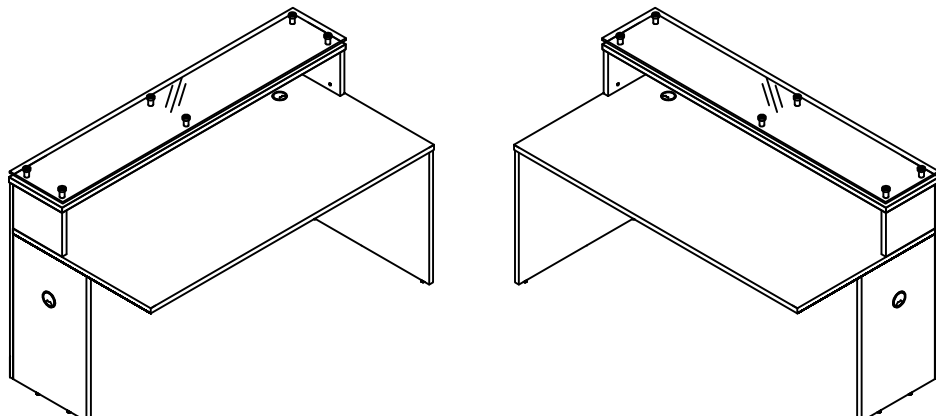
OPTION 1 WHEN ATTACHING BETWEEN TWO DESKS. SEE STEPS 1 THROUGH 15.



OPTION 2 WHEN CREATING A STAND ALONE DESK WITH SHORT DESK SIDE PANELS: SEE STEPS 16 THROUGH 30.



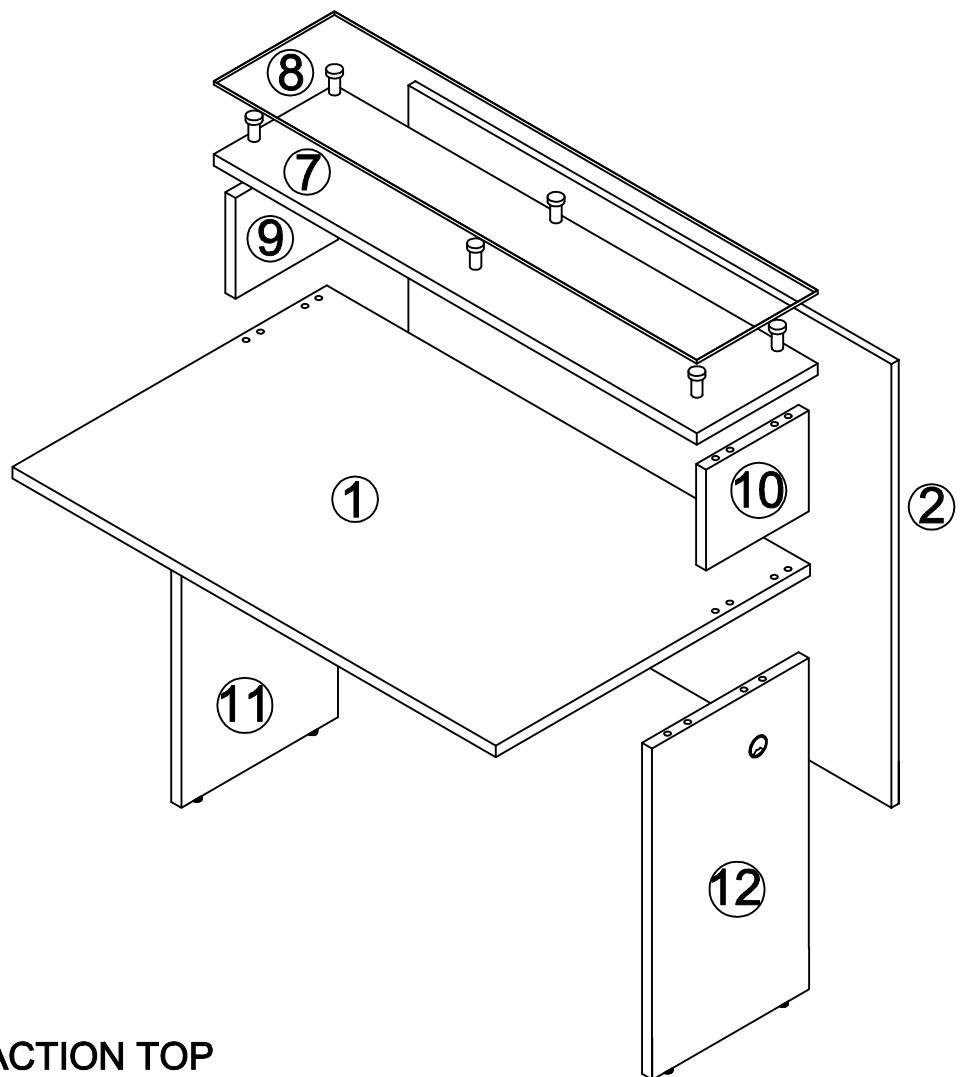
OPTION 3 WHEN ATTACHING TO OTHER DESKS, SEE STEPS 31 THROUGH 45.



Option 1:

Steps 1 through 15 to create a desk to go between two desks.

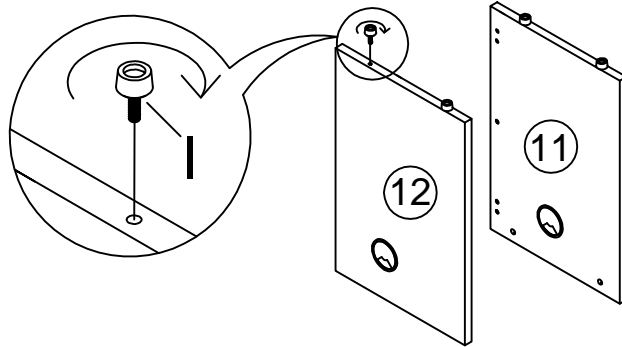
Use short side panels (11) and (12) and short desk side panels (9) and (10) .



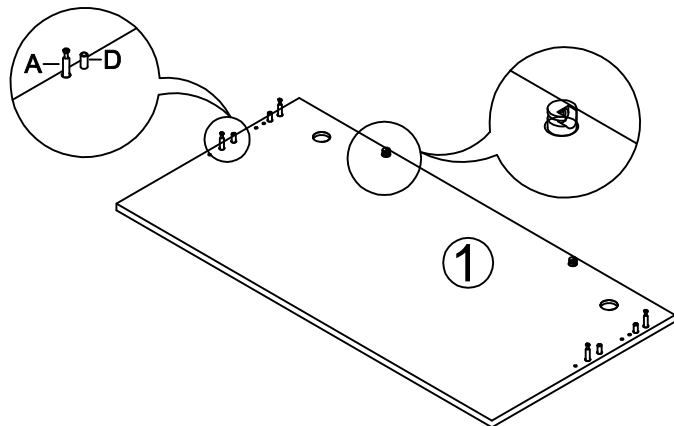
PART LIST

- ① DESK TOP
- ② FRONT PANEL
- ⑦ COUNTER TOP
- ⑧ GLASS TRANSACTION TOP
- ⑨ SHORT DESK SIDE PANEL
- ⑩ SHORT DESK SIDE PANEL
- ⑪ SHORT SIDE PANEL
- ⑫ SHORT SIDE PANEL

1. INSTALL "I" LEVELERS ON THE BOTTOM OF ①① & ①② .
I(4X)

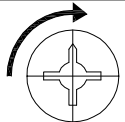


2. INSTALL "A" CAM SCREWS, "B" KLIX CAMS AND "D" DOWELS ON UNDERSIDE OF TOP ①.
A(4X)
B(2X)
D(4X)



IMPORTANT:

FUNCTION OF KLIX CAM

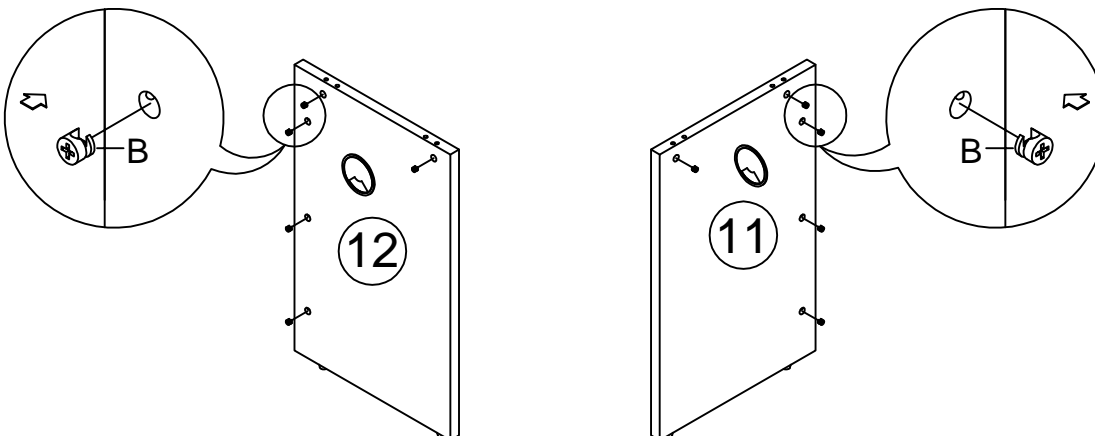


1/4 RIGHT
TURN FOR
LOCKING

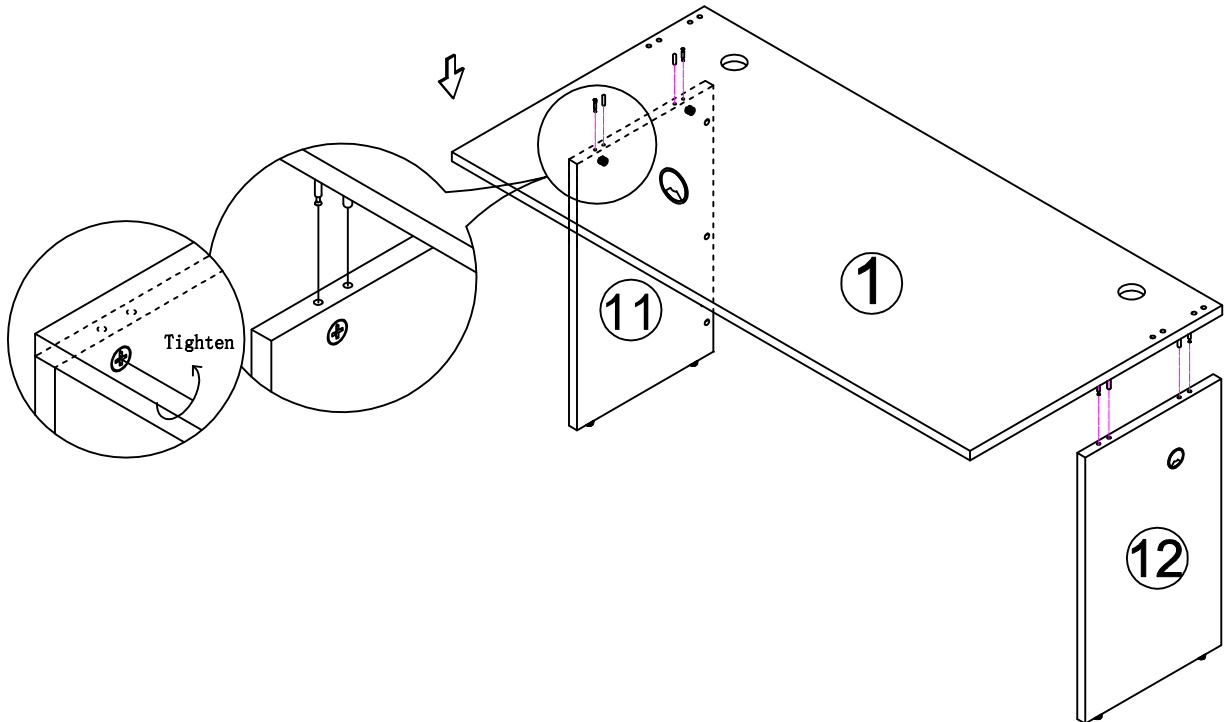
MAKE SURE THE ARROW IS
POINTING UPWARDS BEFORE
INSERTING INTO THE PANELS
HOLE

Note: As the desktop needs to be able to attach to both panels ③ & ④ and ①① & ①② , there will be some empty holes.

3. INSERT "B" KLIX CAMS TO SIDE PANELS ①① & ①② .
B(10X)

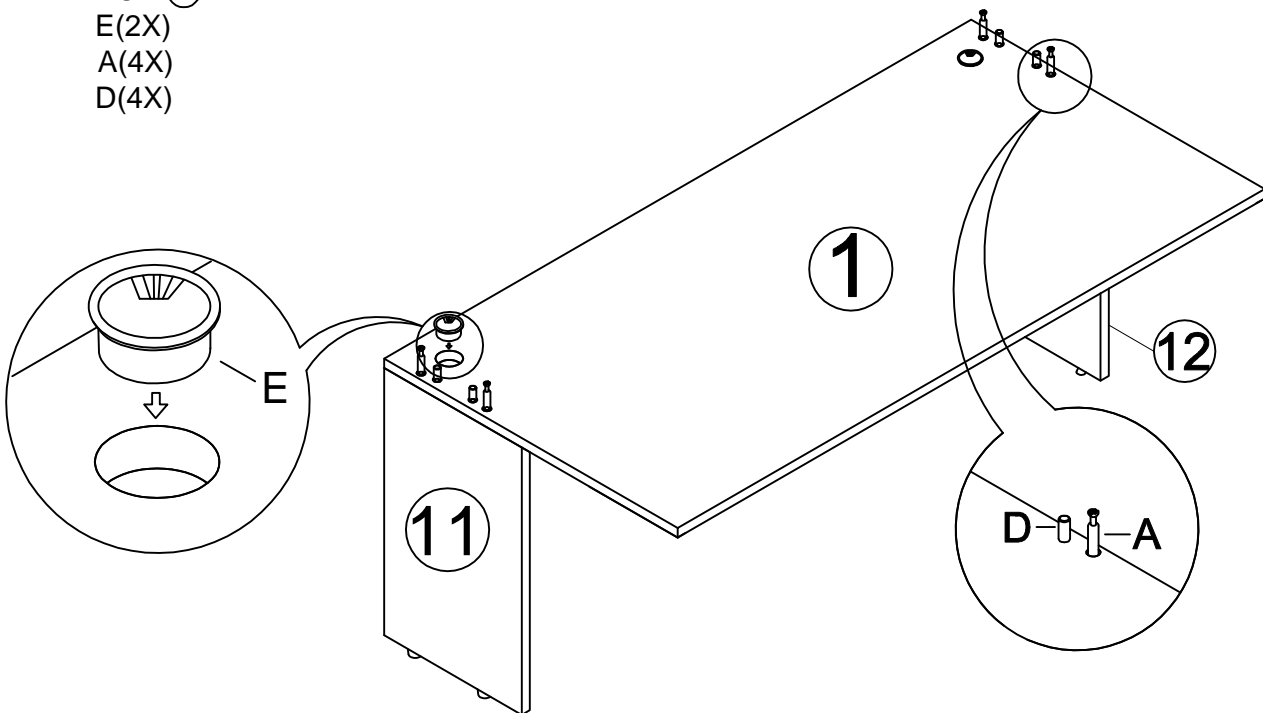


4. CONNECT TOP ① TO SIDE PANELS ①① & ①② USING ALREADY INSTALLED "B" KLIX CAMS, "A" CAM SCREWS AND "D" DOWELS. TIGHTEN.

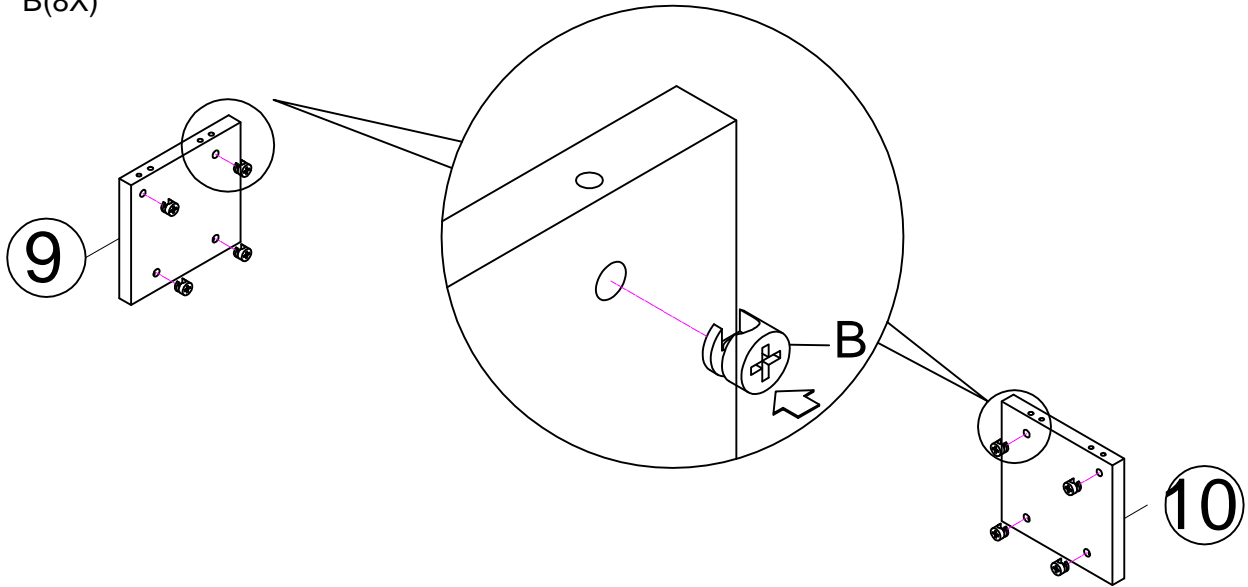


5. INSERT "E" GROMMETS ON DESK TOP ①. INSTALL "A" CAM SCREWS AND "D" DOWELS ON TOP ①.

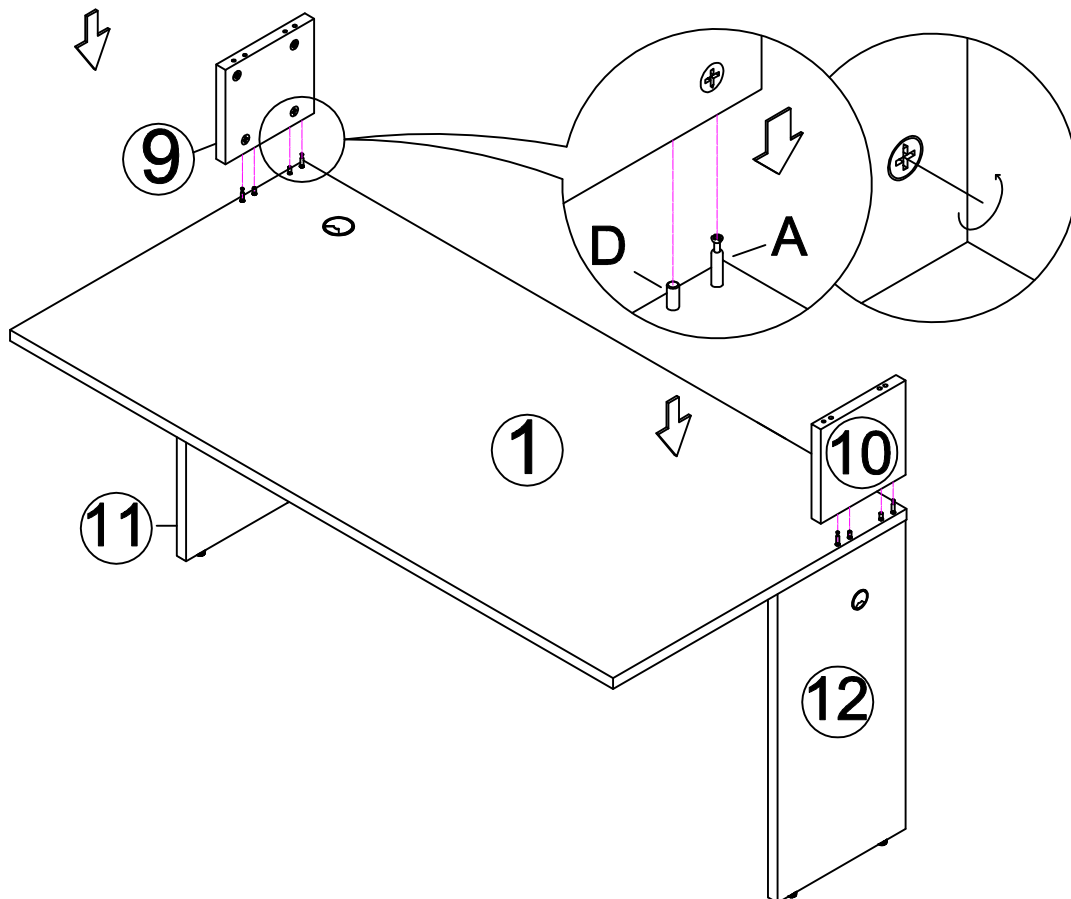
E(2X)
A(4X)
D(4X)



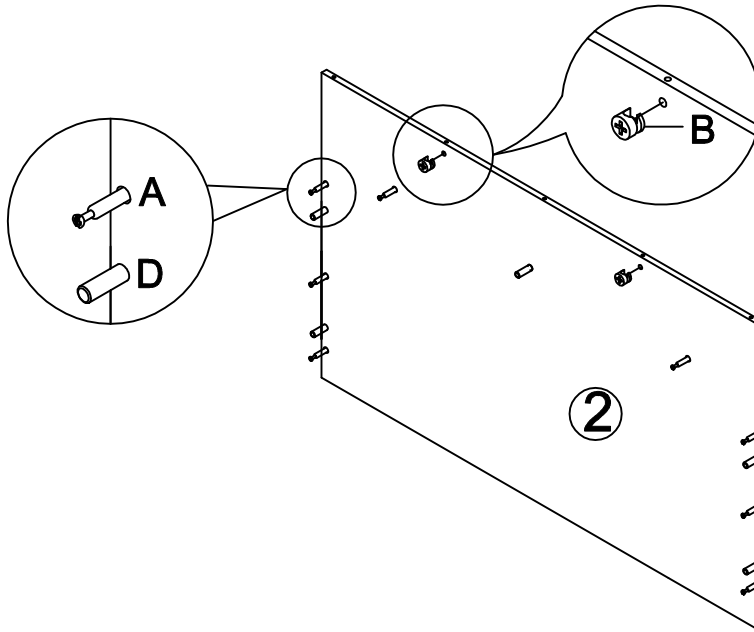
6. INSERT "B" KLIX CAMS TO SHORT DESKTOP SIDE PANELS ⑨ & ⑩.
B(8X)



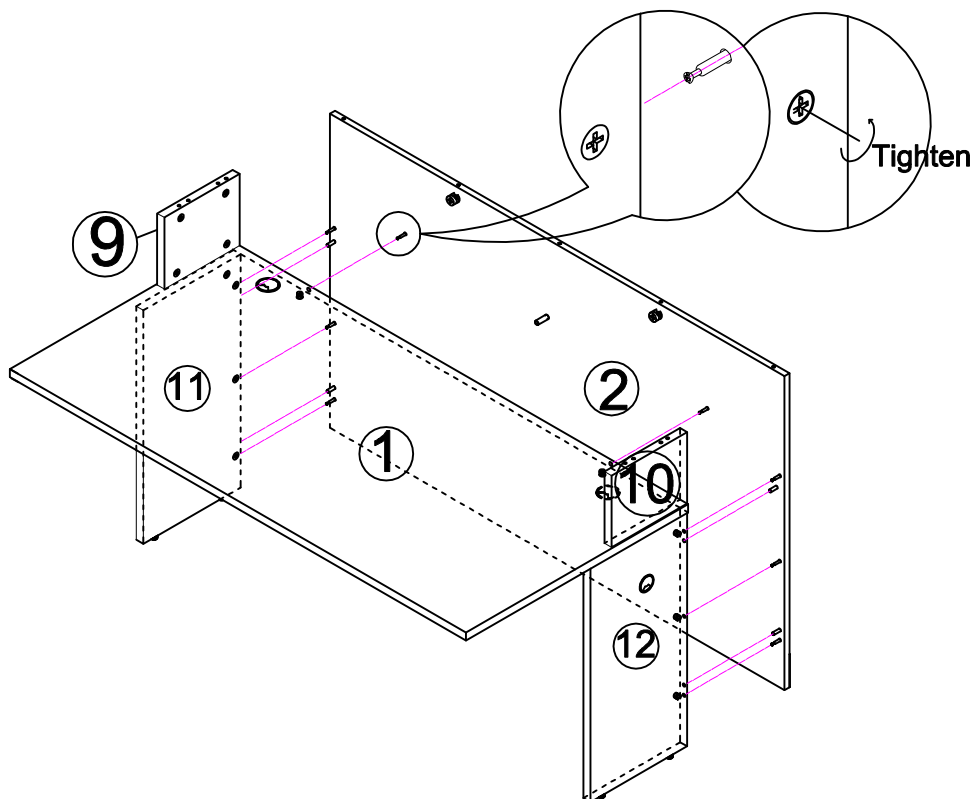
7. CONNECT SHORT SIDE PANELS ⑨ & ⑩ TO DESK TOP ① USING ALREADY INSTALLED "B" KLIX CAMS, "A" CAM SCREWS AND "D" DOWELS. TIGHTEN.



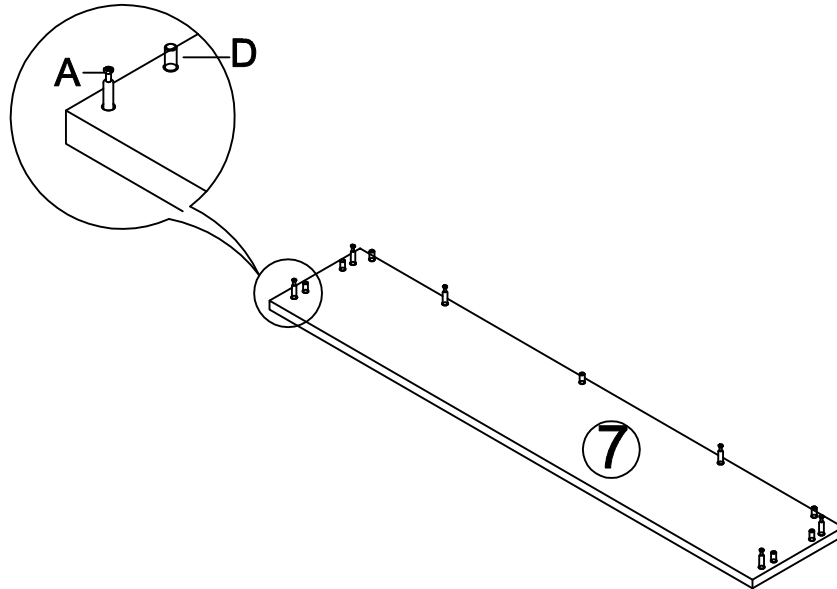
8. INSTALL "A" CAM SCREWS, "D" DOWELS AND "B" KLIX CAMS TO FRONT PANEL ②.
A(8X)
B(2X)
D(5X)



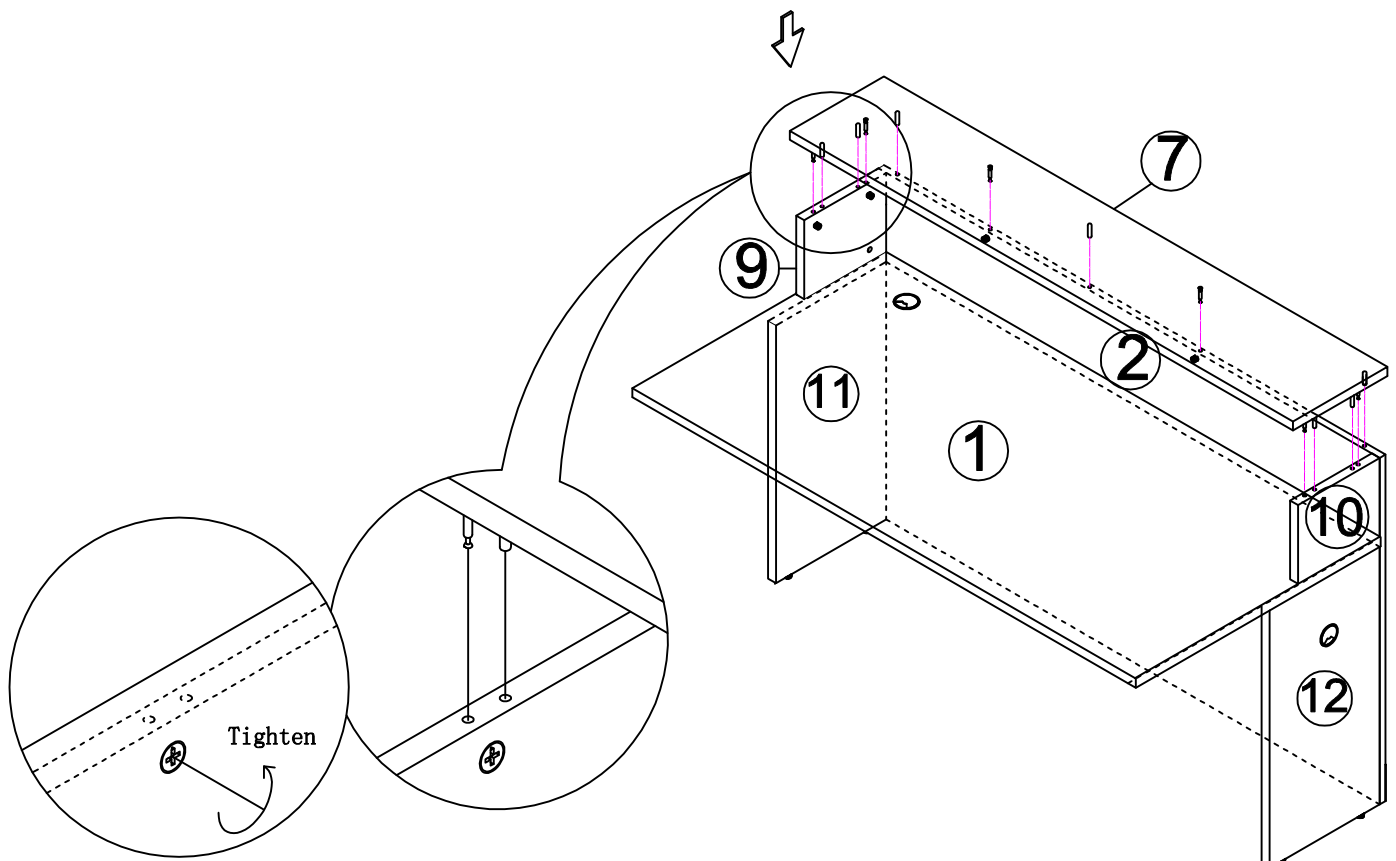
9. CONNECT FRONT PANEL ② TO ① ⑨ ⑩ ⑪ ⑫ USING ALREADY INSTALLED "B" KLIX CAMS, "A" CAM SCREWS AND "D" DOWELS. TIGHTEN.



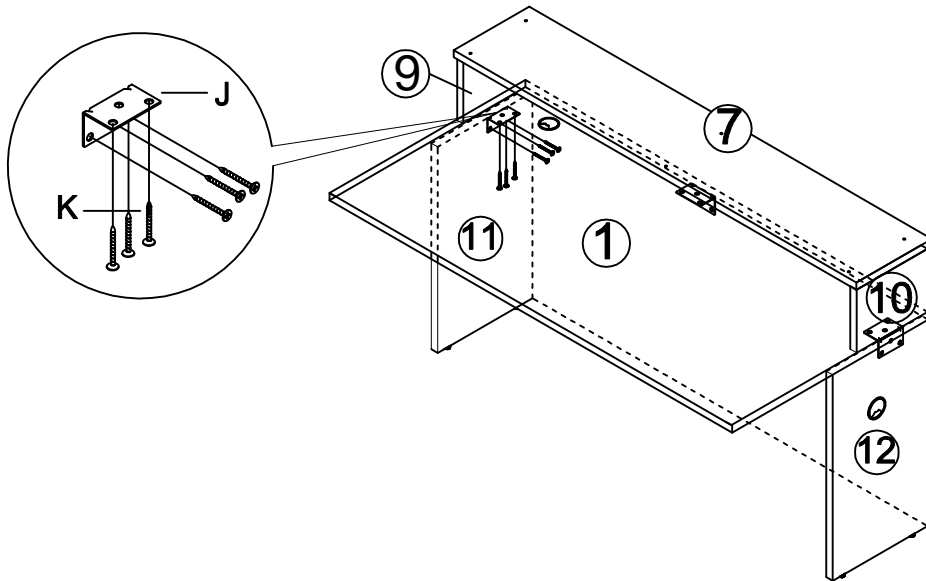
10. INSTALL "A" CAM SCREWS AND "D" DOWELS TO THE UNDER SIDE OF COUNTER TOP ⑦.
A(6X)
D(7X)



11. CONNECT COUNTER TOP ⑦ TO PANELS ② ⑨ & ⑩ USING ALREADY INSTALLED "B" KLIX CAMS , "A" CAM SCREWS AND "D" DOWELS . TIGHTEN.

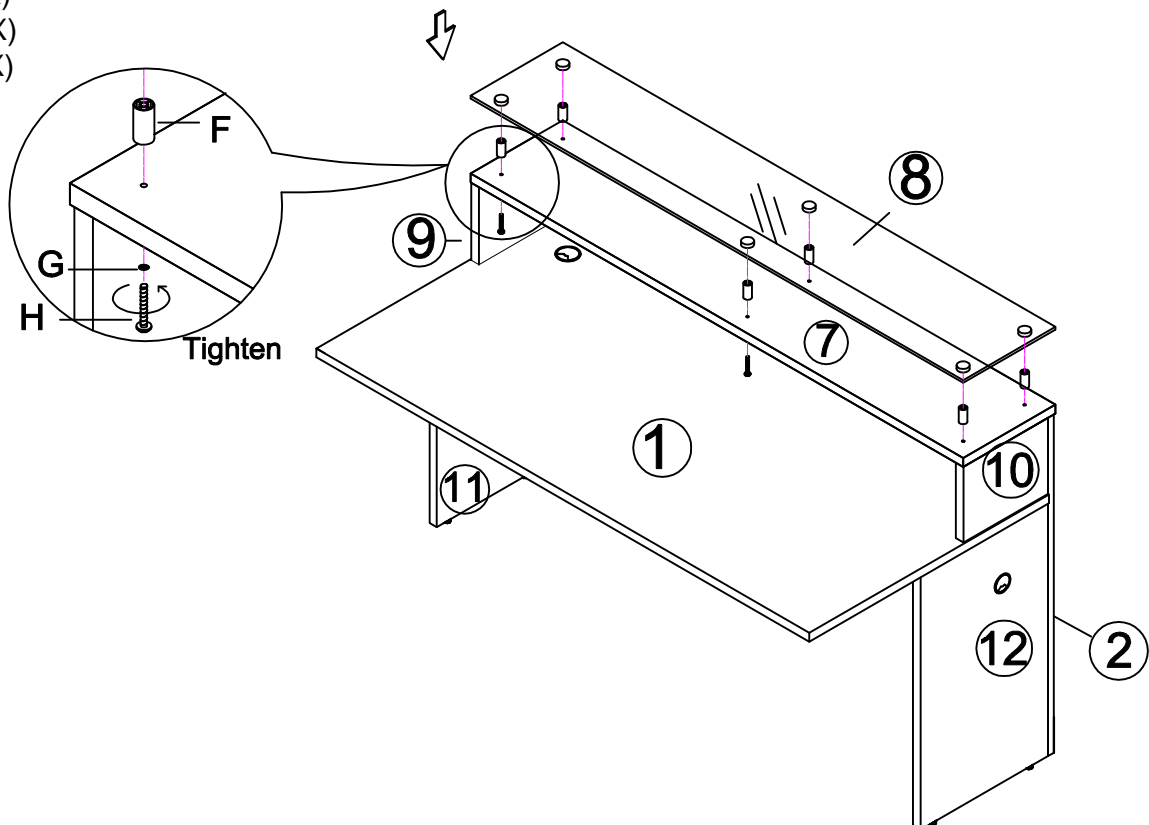


12. INSTALL "J" L BRACKET UNDER THE DESK TOP ① USING "K" SCREWS.
J(3X)
K(18X)



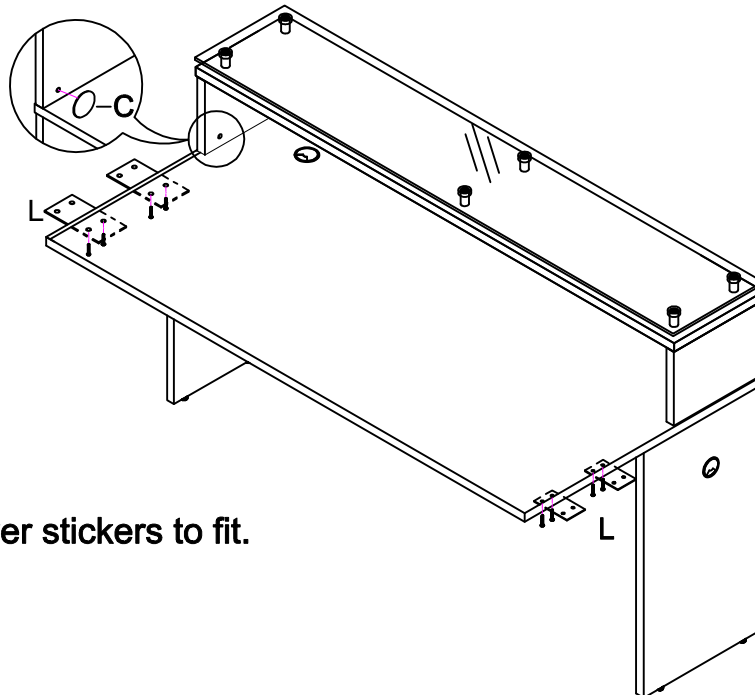
13. CONNECT GLASS TRANSACTION TOP ⑧ TO COUNTER TOP ⑦ USING "F" SCREWS, "G" CUSHIONS AND "H" SCREWS.

F(6X)
G(6X)
H(6X)



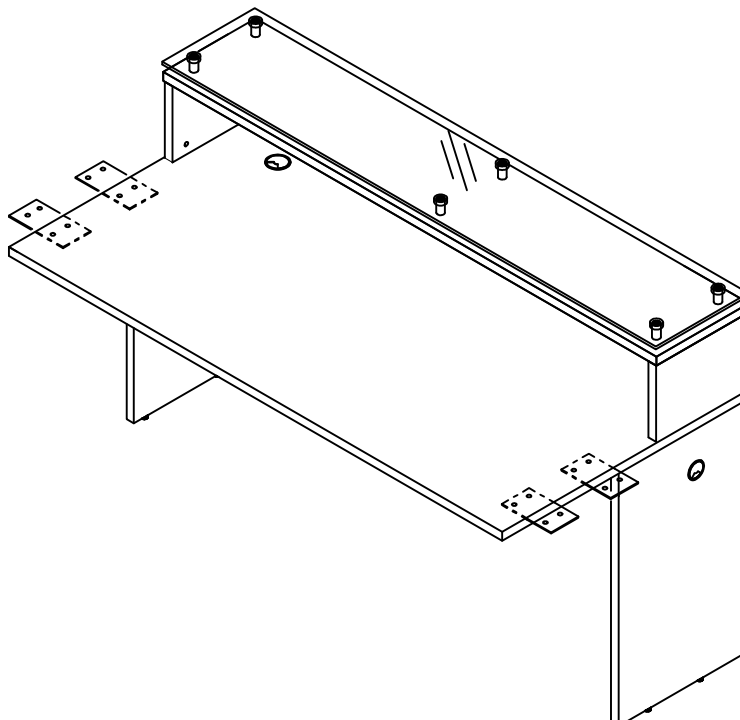
14. INSTALL "L" BRACKET ON THE UNDERSIDE OF TOP PANEL ①. THEN USE "C" CAM COVER STICKERS TO COVER ALL EXPOSED KLIX CAMS AND DESK TOP HOLES.

C(36X)
L1(4X)
L2(8X)



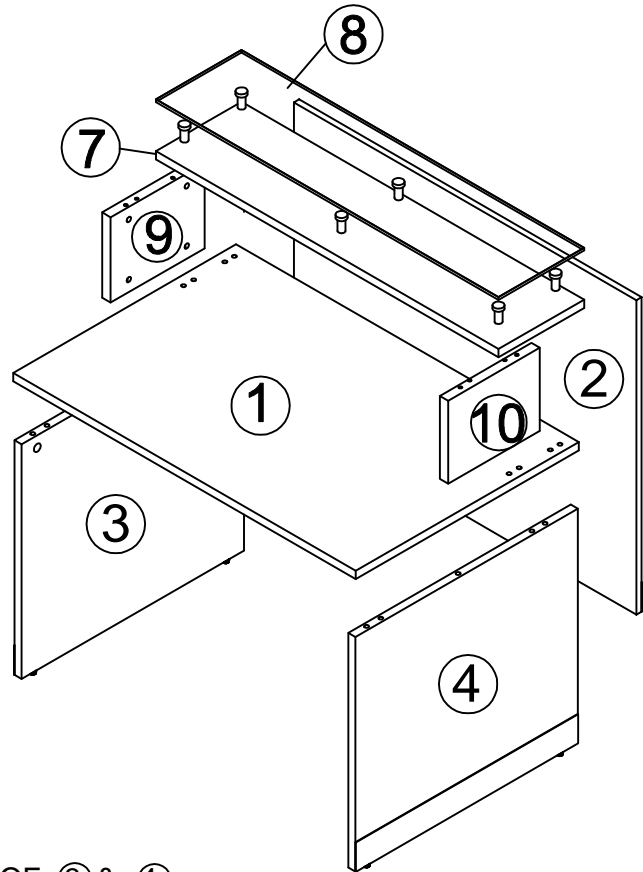
Note: Press cam cover stickers to fit.

15. COMPLETE (READY TO ATTACH BETWEEN TWO DESKS.)



Option 2:

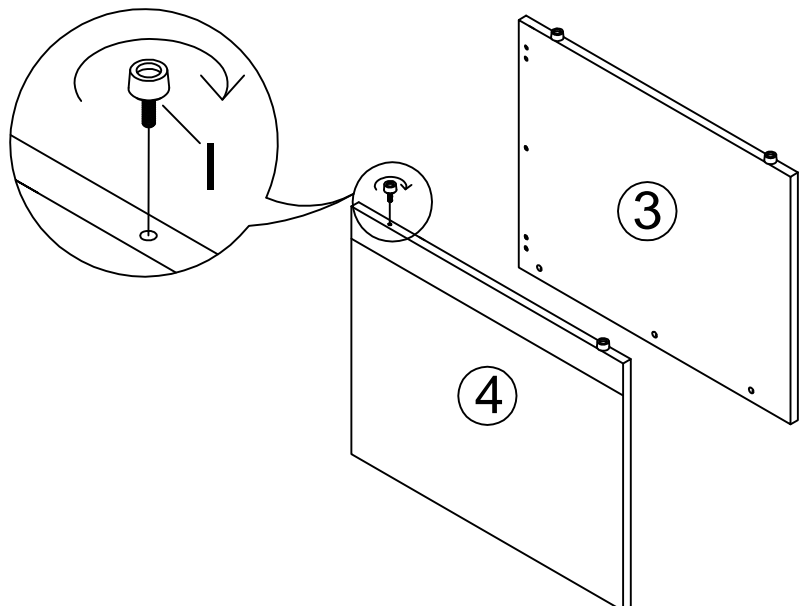
Steps 16 through 30 for stand alone desk with short desk side panels.
Use large side panels ③ & ④ .



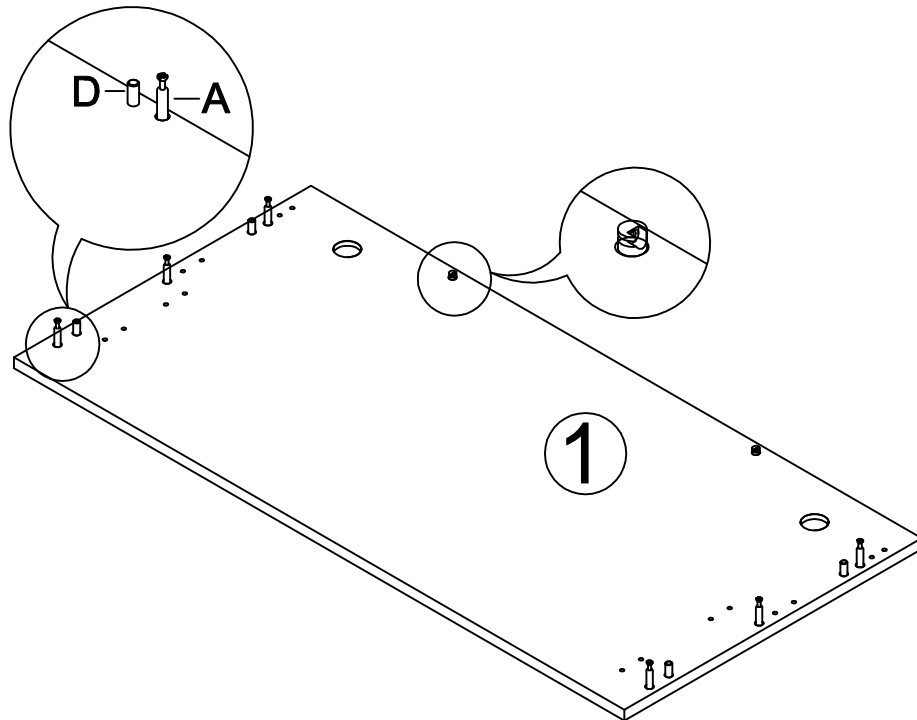
PART LIST

- ① DESK TOP
- ② FRONT PANEL
- ③④ LARGE SIDE PANELS
- ⑦ COUNTER TOP
- ⑧ GLASS TRANSACTION TOP
- ⑨ ⑩ SHORT DESK SIDE PANELS

16. INSTALL "I" LEVELERS ON THE BOTTOM OF ③ & ④.
I(4X)

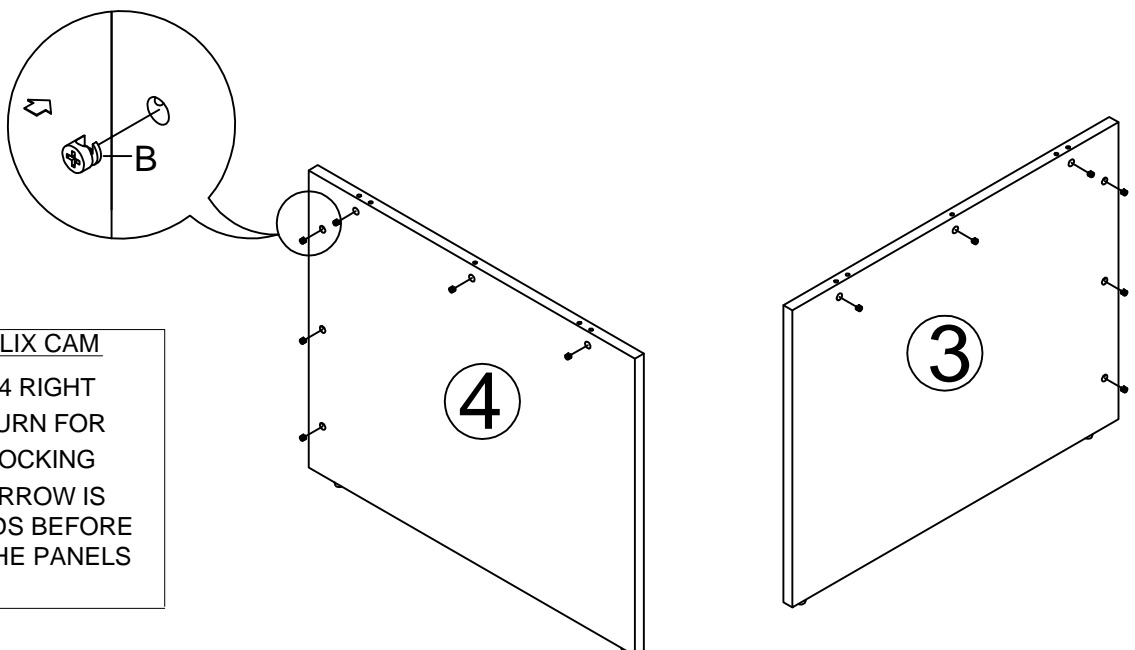


17. INSTALL "A" CAM SCREWS, "B" KLIX CAMS AND "D" DOWELS ON UNDERSIDE OF TOP ①.
 A(6X)
 D(4X)
 B(2X)



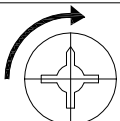
Note: As the desktop needs to be able to attach to both panels ③ & ④ and ⑪ & ⑫, there will be some empty holes.

18. INSERT "B" KLIX CAMS TO SIDE PANELS ③ & ④.
 B(12X)



IMPORTANT:

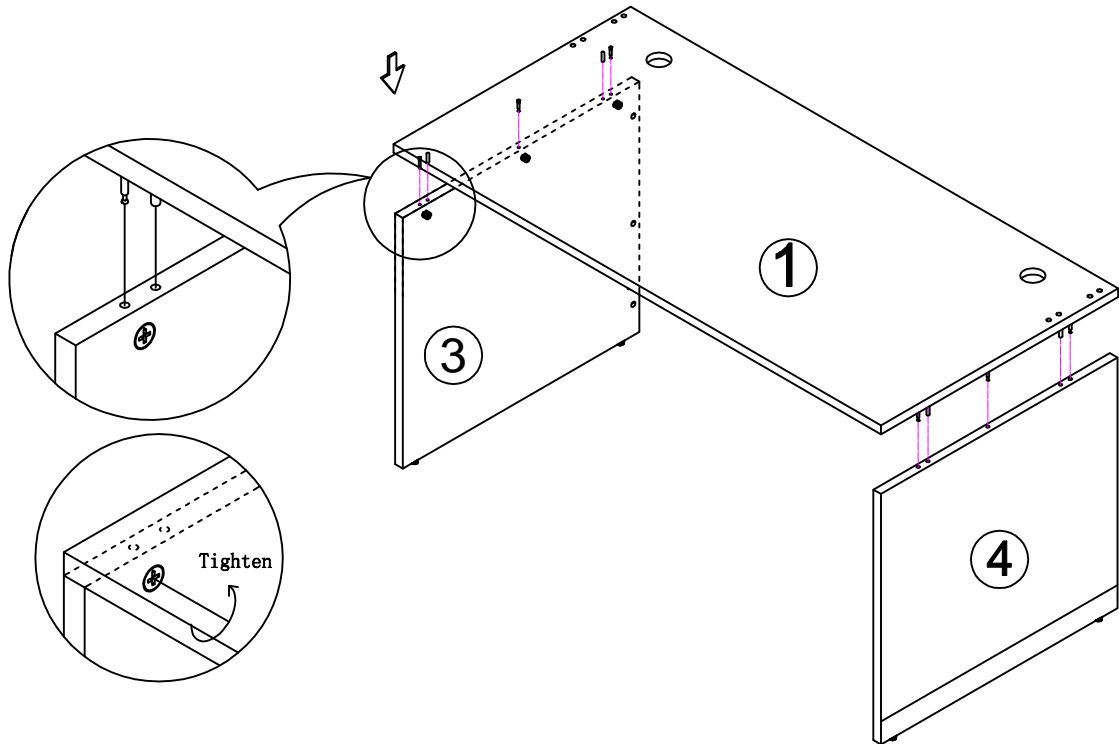
FUNCTION OF KLIX CAM



1/4 RIGHT
TURN FOR
LOCKING

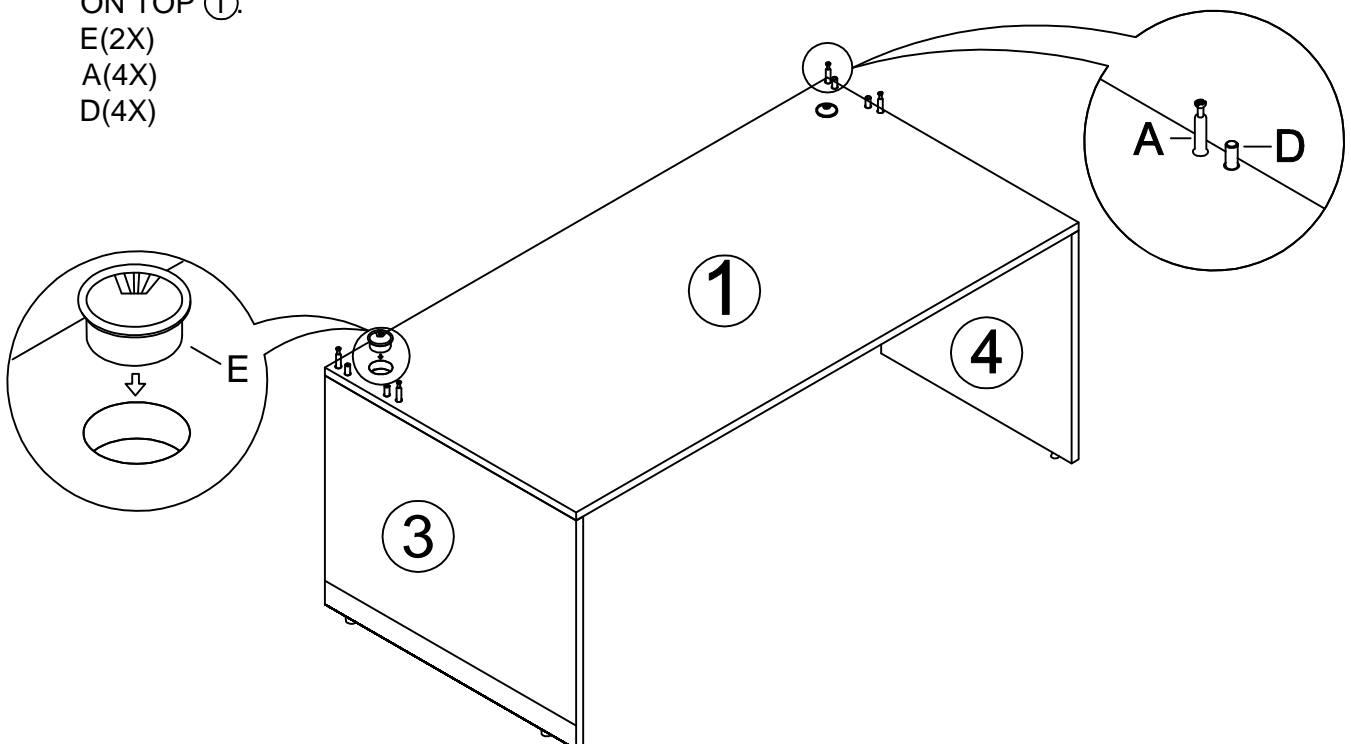
MAKE SURE THE ARROW IS
POINTING UPWARDS BEFORE
INSERTING INTO THE PANELS
HOLE

19. CONNECT TOP ① TO SIDE PANELS ③ & ④ USING ALREADY INSTALLED "B" KLIX CAMS, "A" CAM SCREWS AND "D" DOWELS. TIGHTEN.

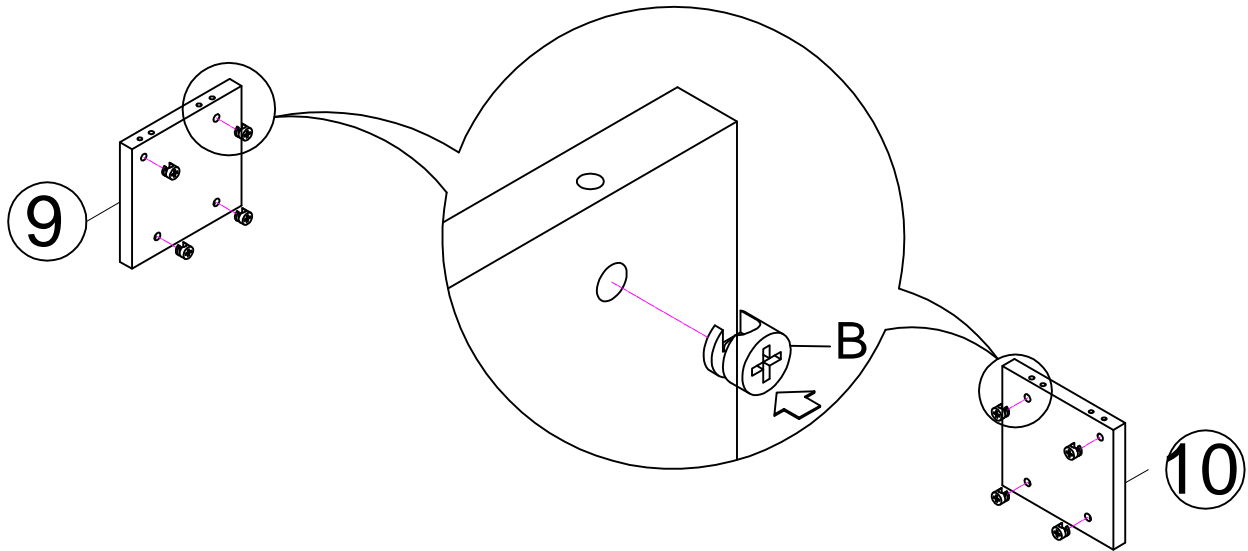


20. INSERT "E" GROMMETS ON DESK TOP ①. INSTALL "A" CAM SCREWS AND "D" DOWELS ON TOP ①.

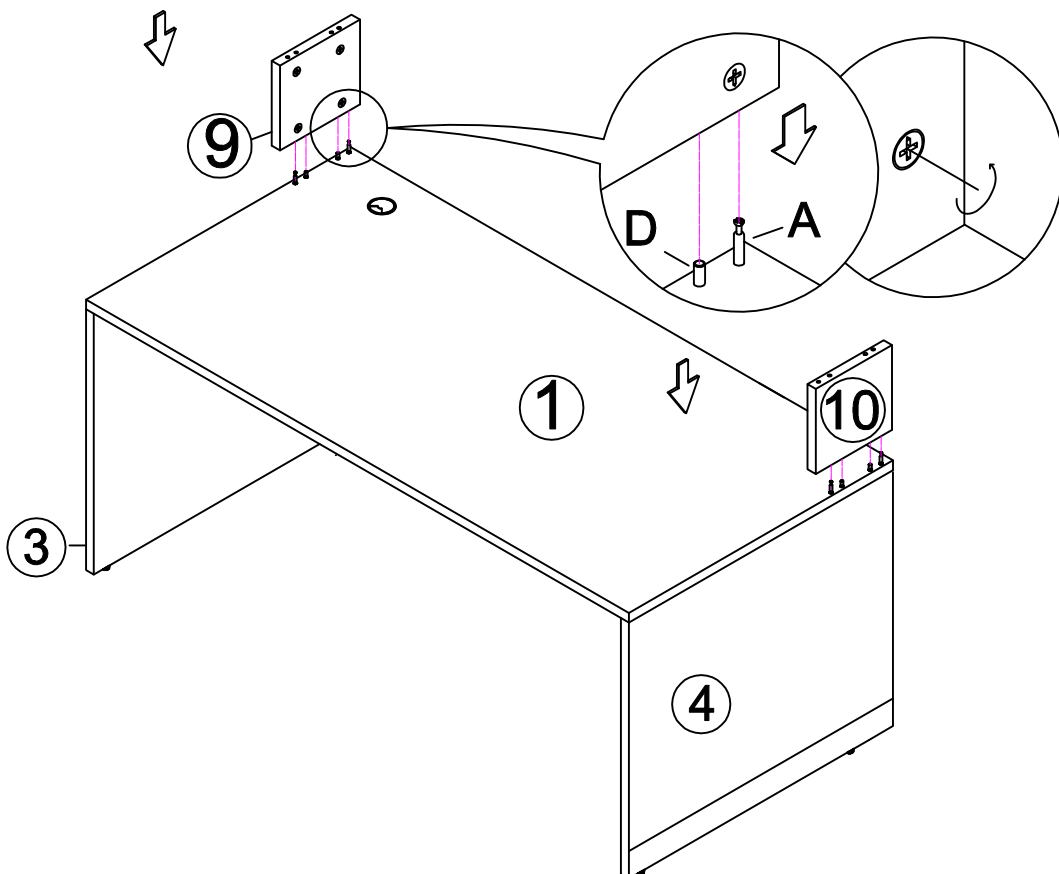
E(2X)
A(4X)
D(4X)



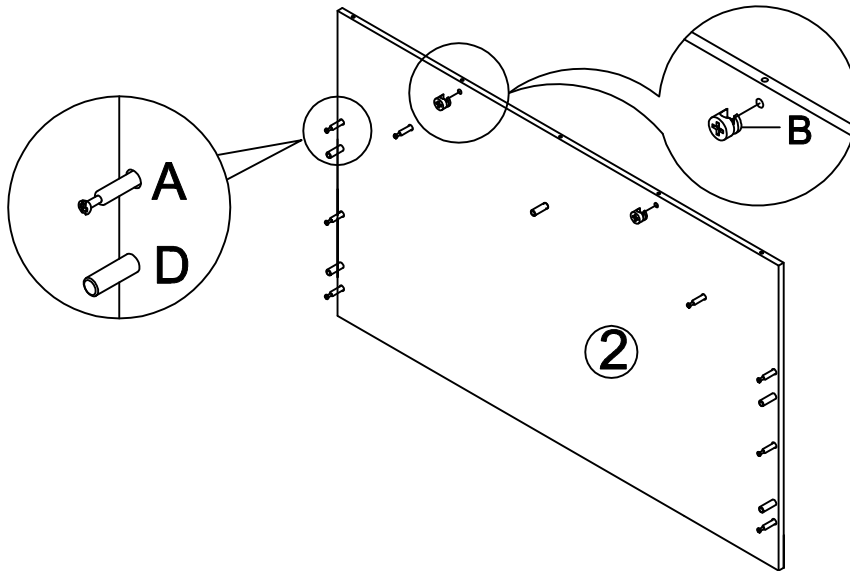
21. INSERT "B" KLIX CAMS TO SHORT DESKTOP SIDE PANELS ⑨ & ⑩.
B(8X)



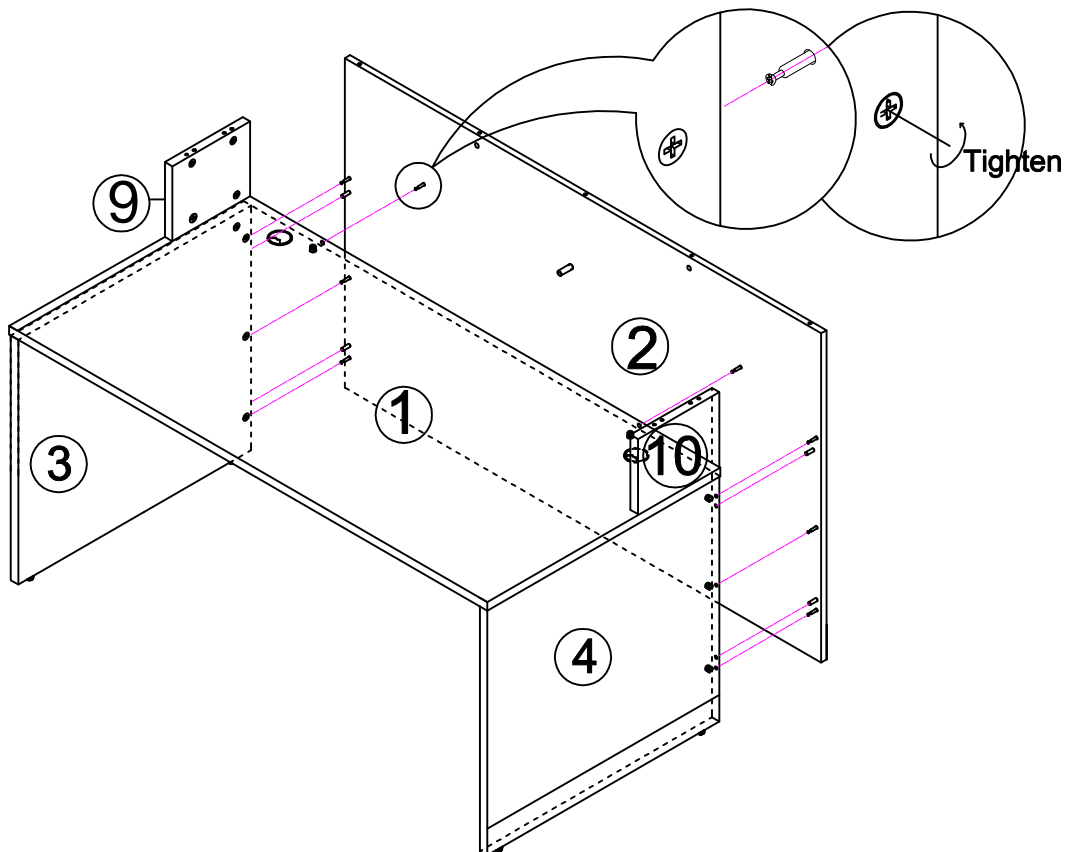
22. CONNECT SIDE PANELS ⑤ & ⑥ TO DESK TOP ① USING ALREADY INSTALLED "B" KLIX CAMS, "A" CAM SCREWS AND "D" DOWELS. TIGHTEN.



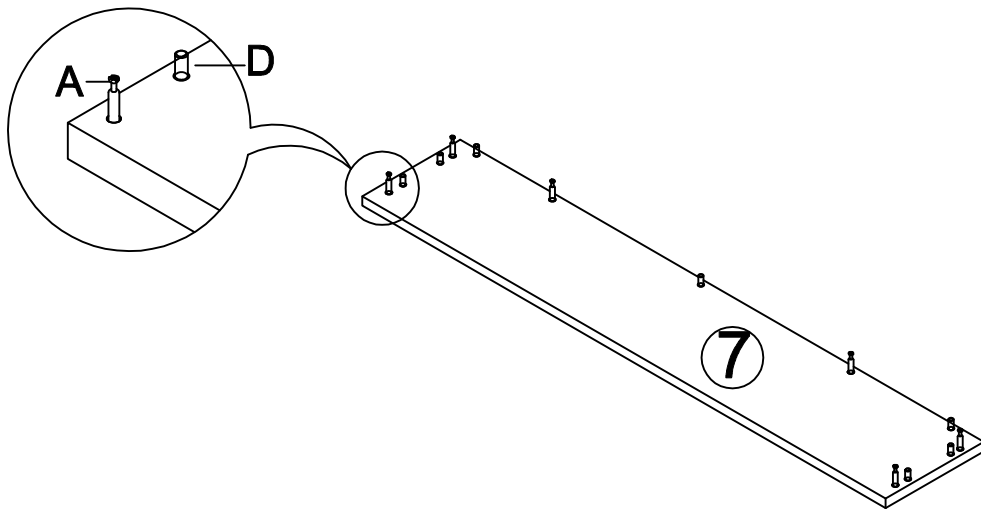
23. INSTALL "A" CAM SCREWS, "D" DOWELS AND "B" KLIX CAMS TO FRONT PANEL ② .
 A(8X)
 B(2X)
 D(5X)



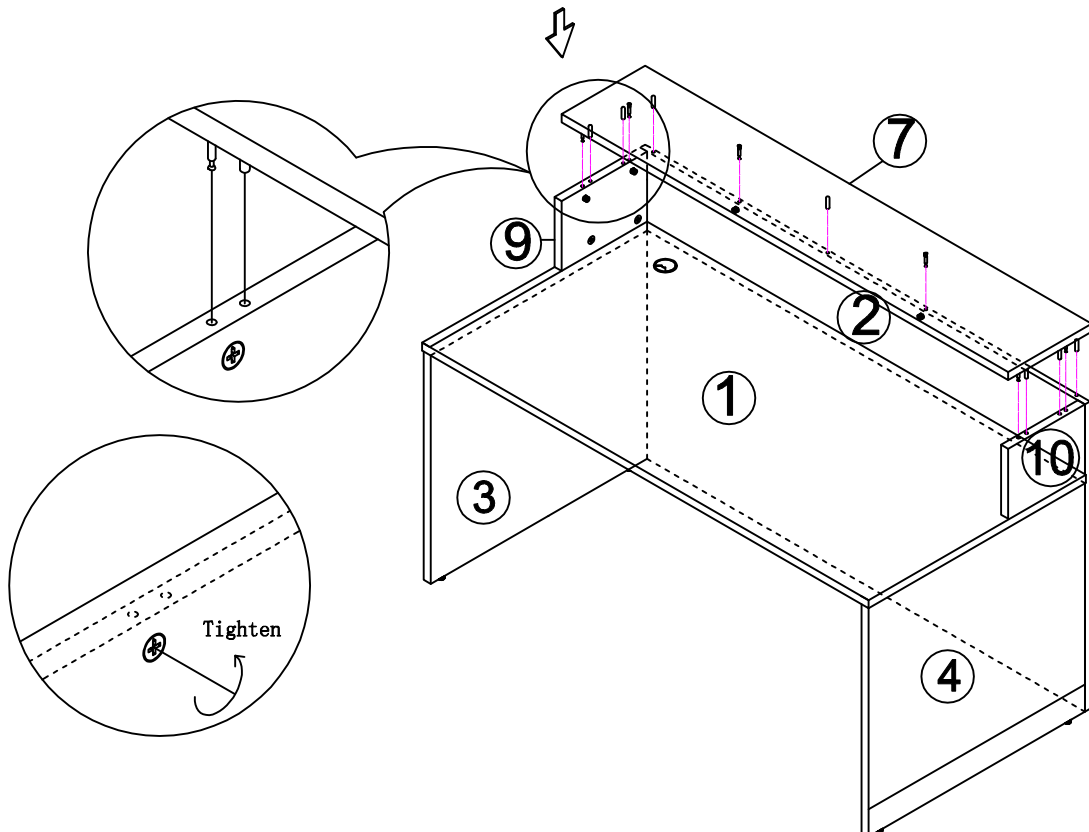
24. CONNECT FRONT PANEL ② TO ① ③ ④ ⑨ ⑩ USING ALREADY INSTALLED "B" KLIX CAMS , "A" CAM SCREWS AND "D" DOWELS .TIGHTEN.



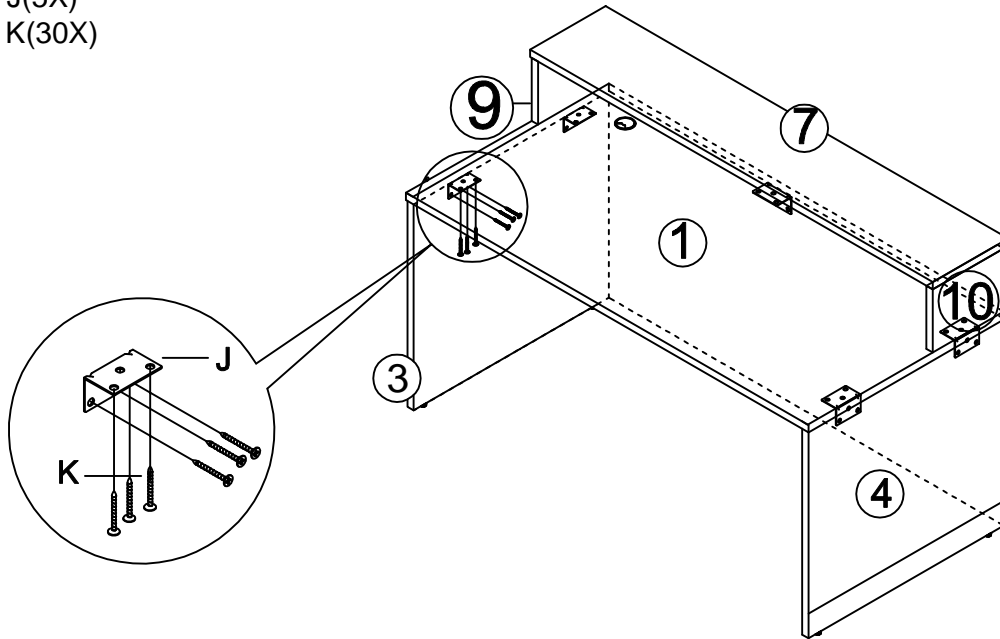
25. INSTALL "A" CAM SCREWS AND "D" DOWELS TO THE UNDER SIDE OF COUNTER TOP ⑦.
A(6X)
D(6X)



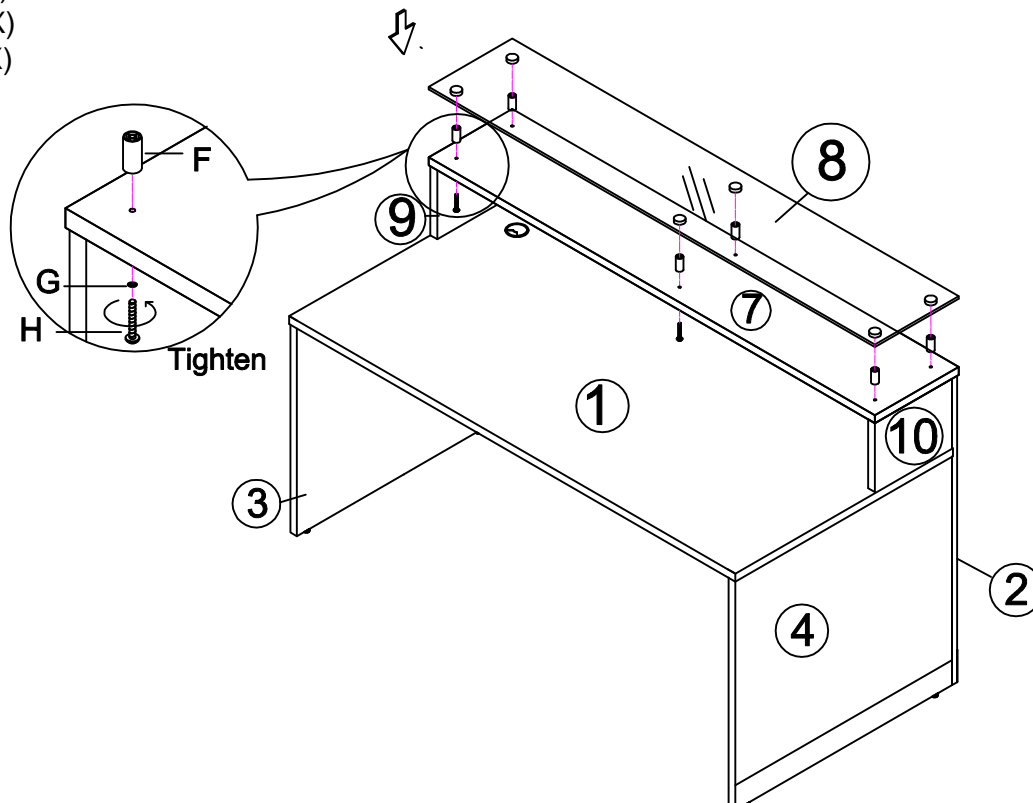
26. CONNECT COUNTER TOP ⑦ TO PANELS ② ⑨ & ⑩ USING ALREADY INSTALLED "B" KLIX CAMS , "A" CAM SCREWS AND "D" DOWELS . TIGHTEN.



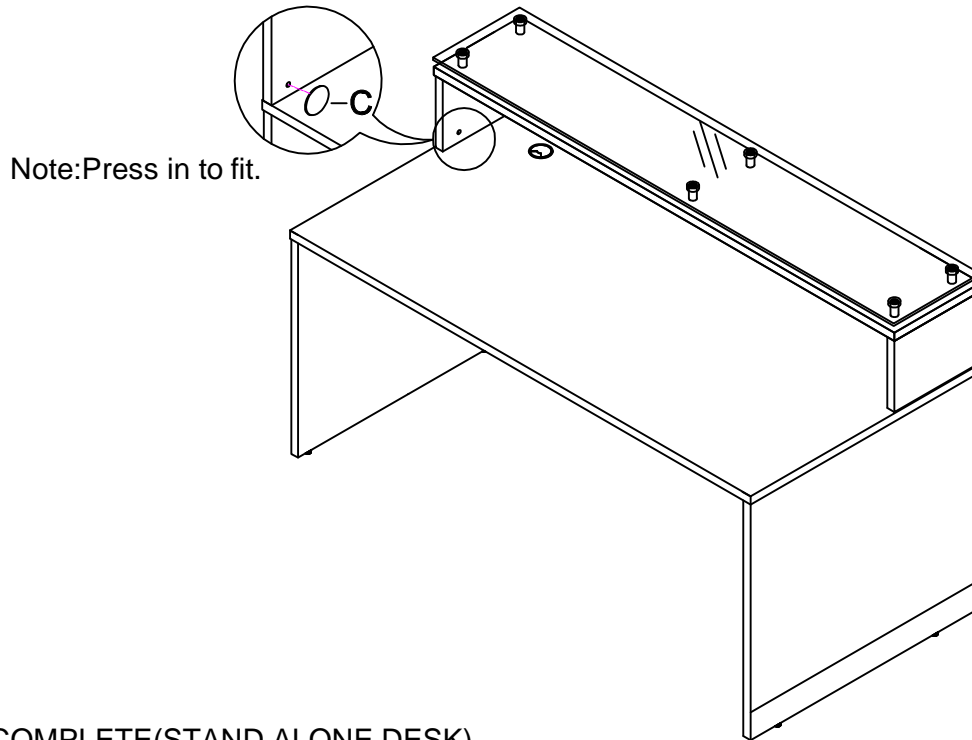
27. INSTALL "J" L BRACKET UNDER THE DESK TOP ① USING "K" SCREWS.
J(5X)
K(30X)



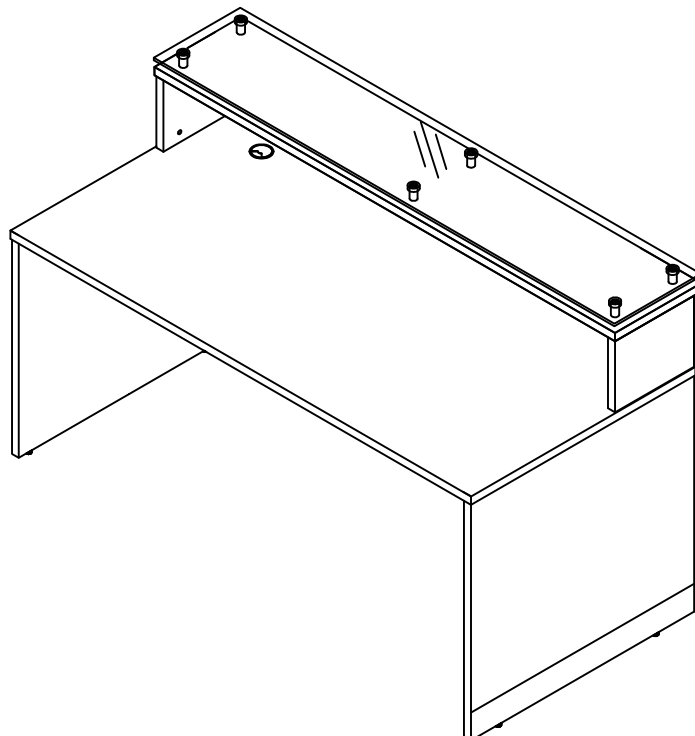
28. CONNECT GLASS TRANSACTION TOP ⑧ TO COUNTER TOP ⑦ USING "F" SCREWS,
"G" CUSHIONS AND "H" SCREWS.
F(6X)
G(6X)
H(6X)



29. USE "C" CAM COVER STICKERS TO COVER ALL EXPOSED KLIX CAMS.
C(36X)



30. COMPLETE (STAND ALONE DESK)



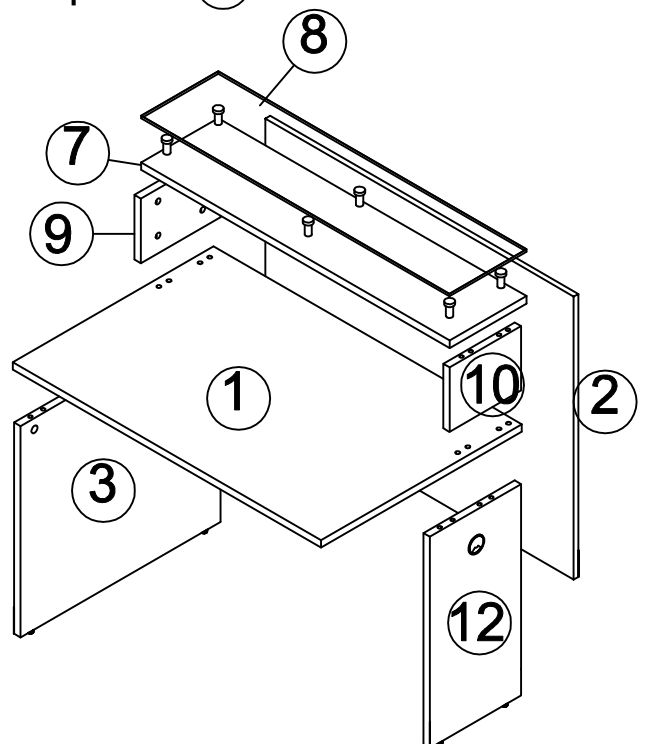
Option 3:

Steps 41 through 45 for creating a desk to connect to the end of another desk .

Use large side panel ③ & short side panel ⑫ .

PART LIST

- ① DESK TOP
- ② FRONT PANEL
- ③ LARGE SIDE PANEL
- ⑦ COUNTER TOP
- ⑧ GLASS TRANSACTION TOP
- ⑩ SHORT DESK SIDE PANEL
- ⑫ SHORT SIDE PANEL

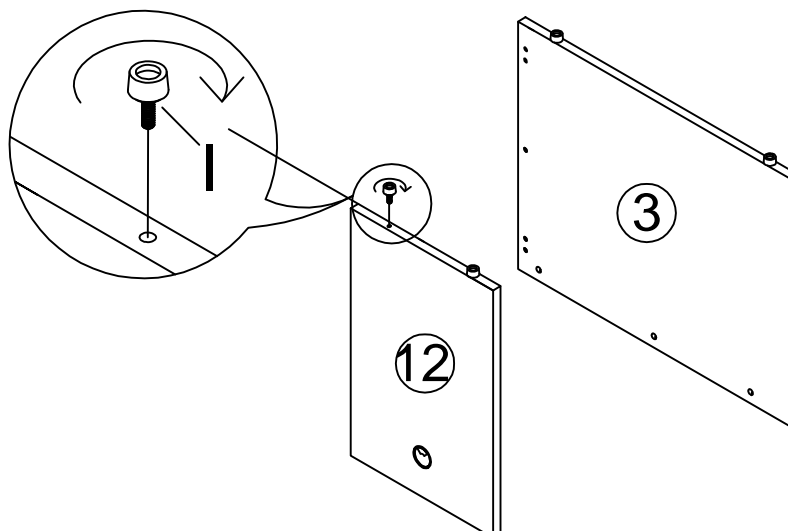


Note:

Use ③ ⑨ ⑩ ⑫ as the drawing shows above when attaching to the left side of another desk.

If attaching to the right side of another desk, use ④ ⑥ ⑨ ⑪ .

31. INSTALL "I" LEVELERS ON THE BOTTOM OF ③ & ⑫ .
I(4X)

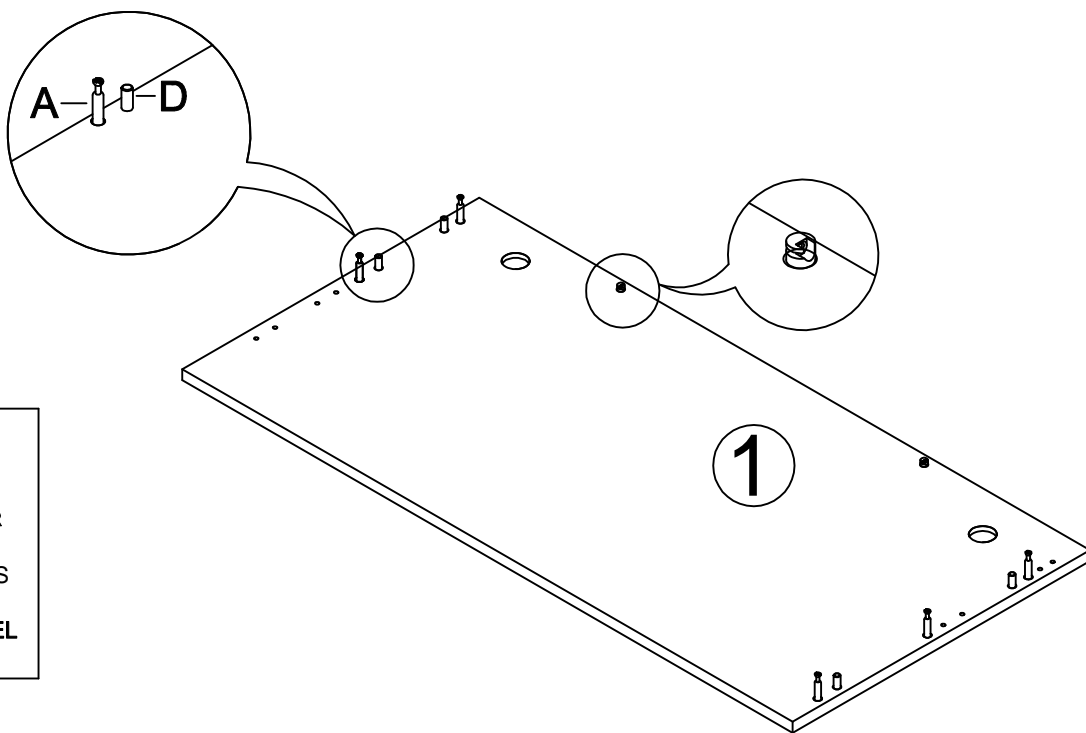


32. INSTALL "A" CAM SCREWS, "B" KLIX CAMS AND "D" DOWELS ON UNDERSIDE OF TOP ①.


A(6X)

D(4X)

B(2X)



IMPORTANT:
FUNCTION OF KLIX CAX



1/4 RIGHT
TURN FOR
LOCKING

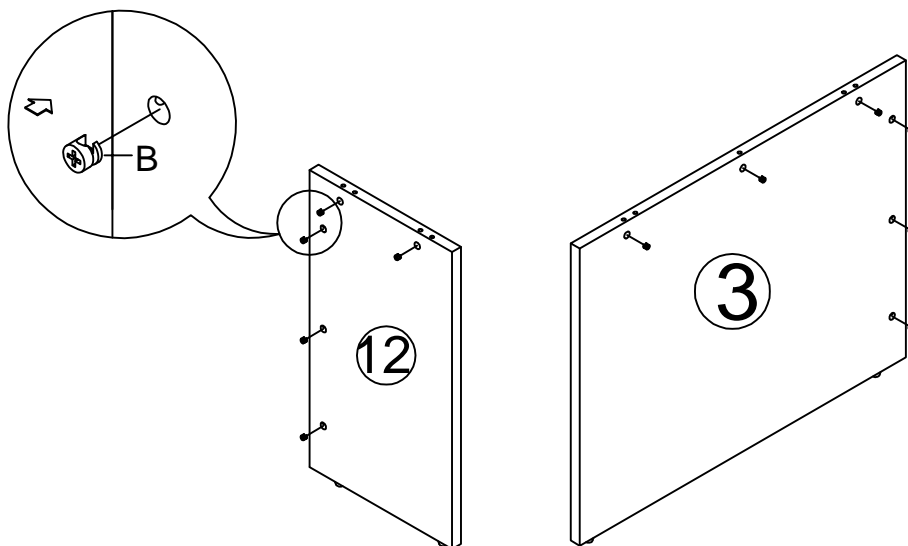
MAKE SURE THE ARROW IS
POINTING UPWARDS BEFORE
INSERTING INTO THE PANEL

Notes:

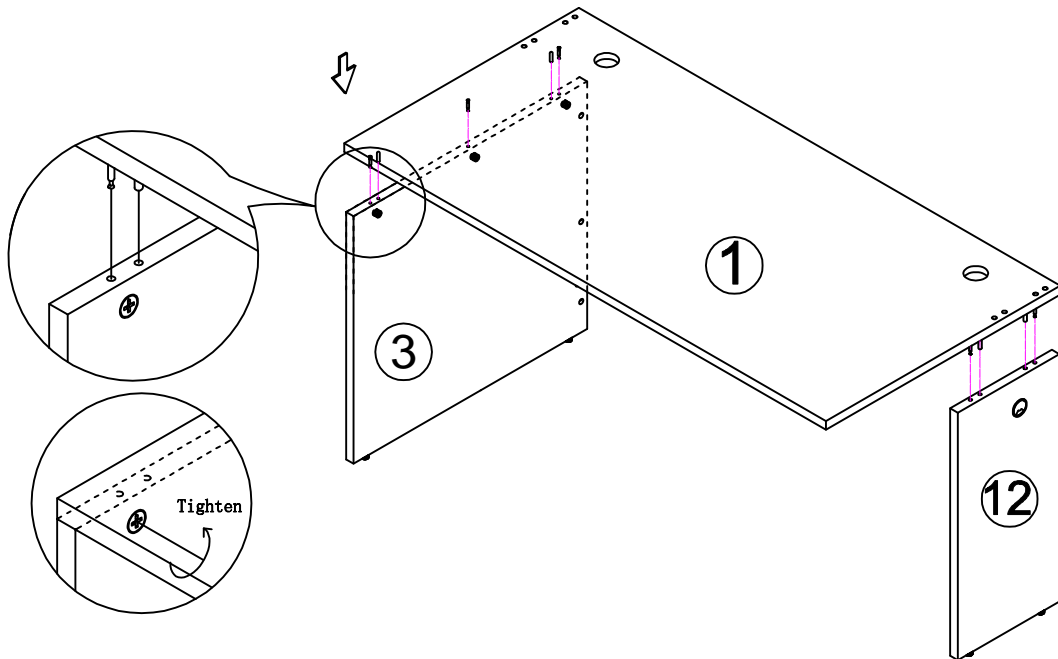
1. As the desktop needs to be able to attach to side panels ③ & ④ and ① & ⑫, there will be some empty holes.
2. Hardware placement is for Desk end on left side. Switch hardware to opposite sides for right end.

33. INSERT "B" KLIX CAMS TO SIDE PANELS ③ & ⑫.

B(12X)

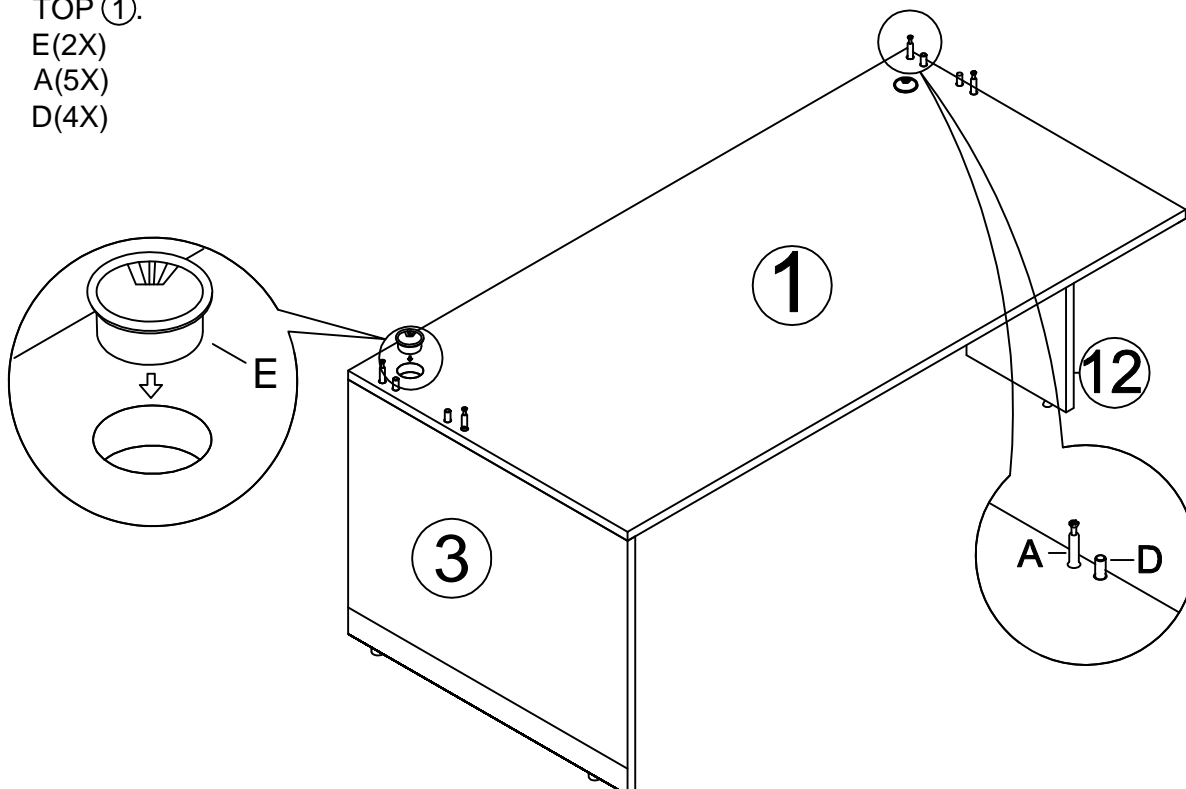


34. CONNECT TOP ① TO SIDE PANELS ③ & ⑫ USING ALREADY INSTALLED "B" KLIX CAMS, "A" CAM SCREWS AND "D" DOWELS. TIGHTEN.

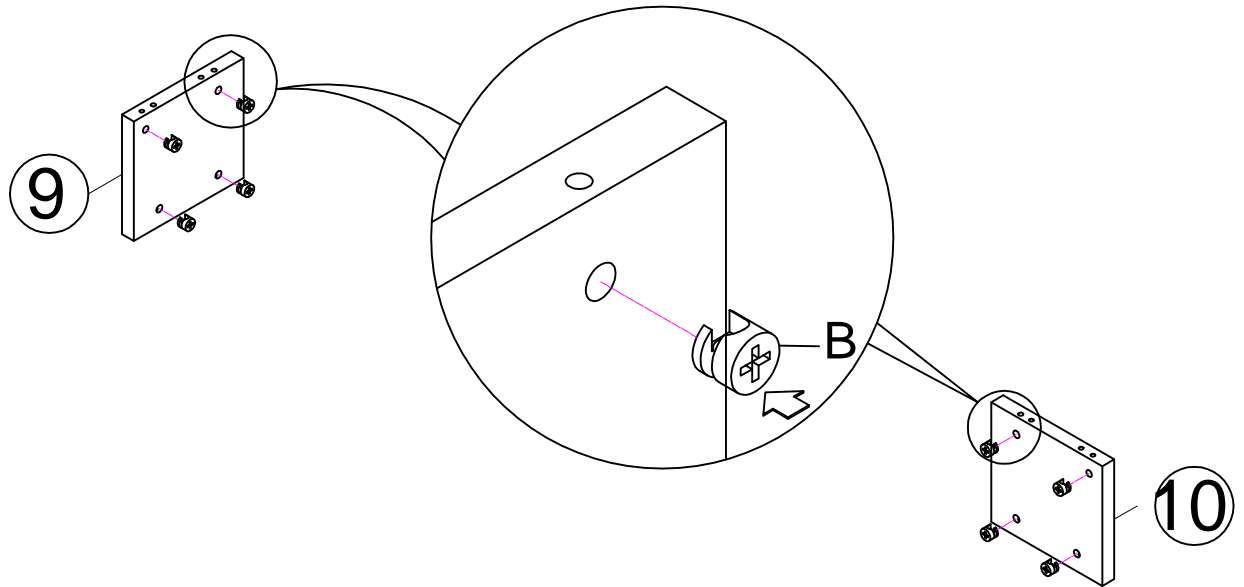


35. INSERT "E" GROMMETS ON DESK TOP ①. INSTALL "A" CAM SCREWS AND "D" DOWELS ON TOP ①.

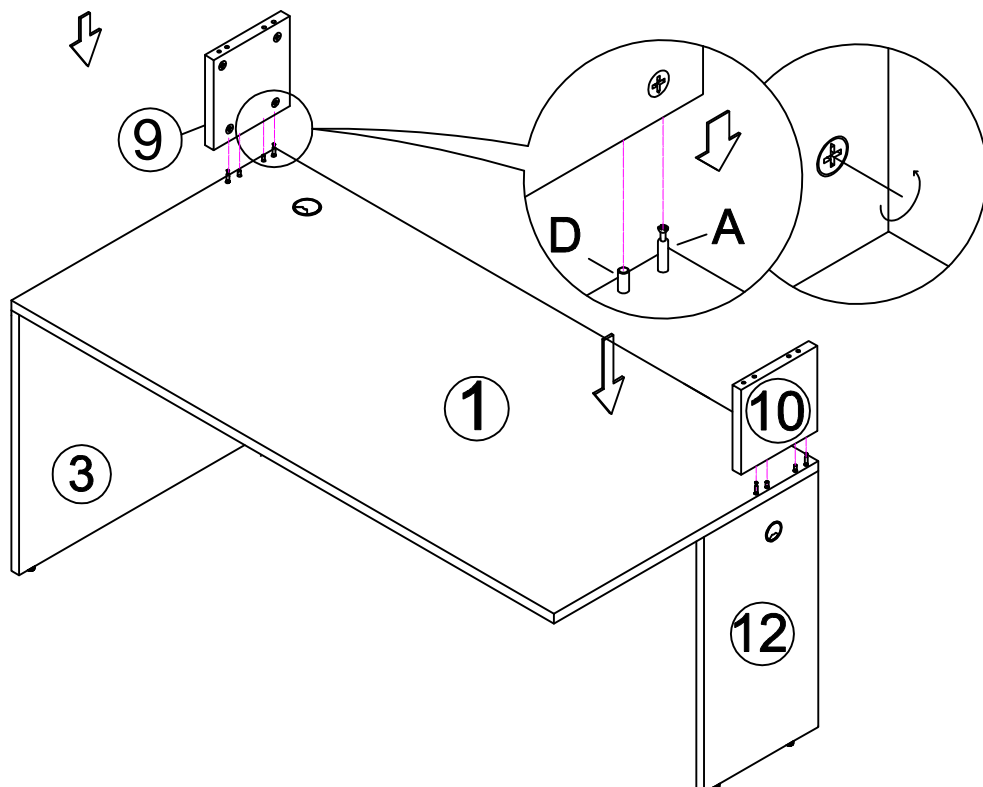
- E(2X)
- A(5X)
- D(4X)



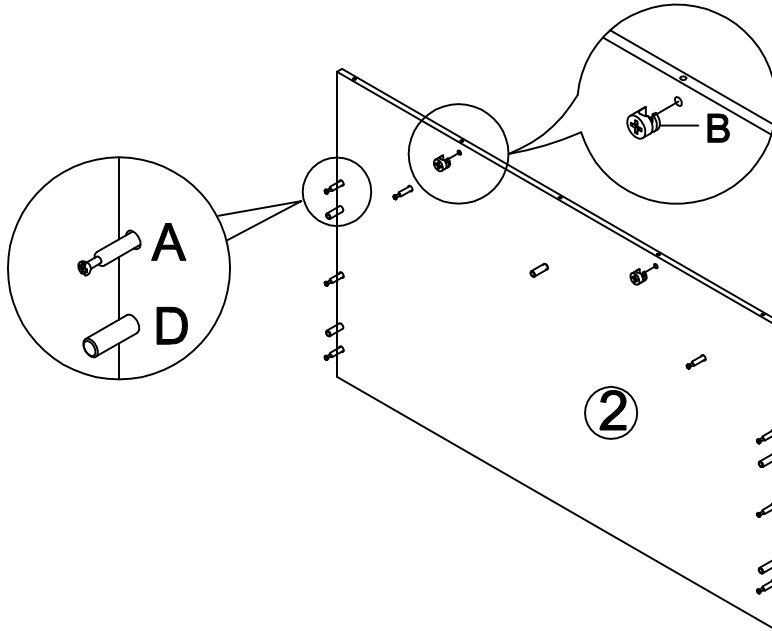
36. INSERT "B" KLIX CAMS TO SHORT DESKTOP SIDE PANELS ⑨ & ⑩.
B(8X)



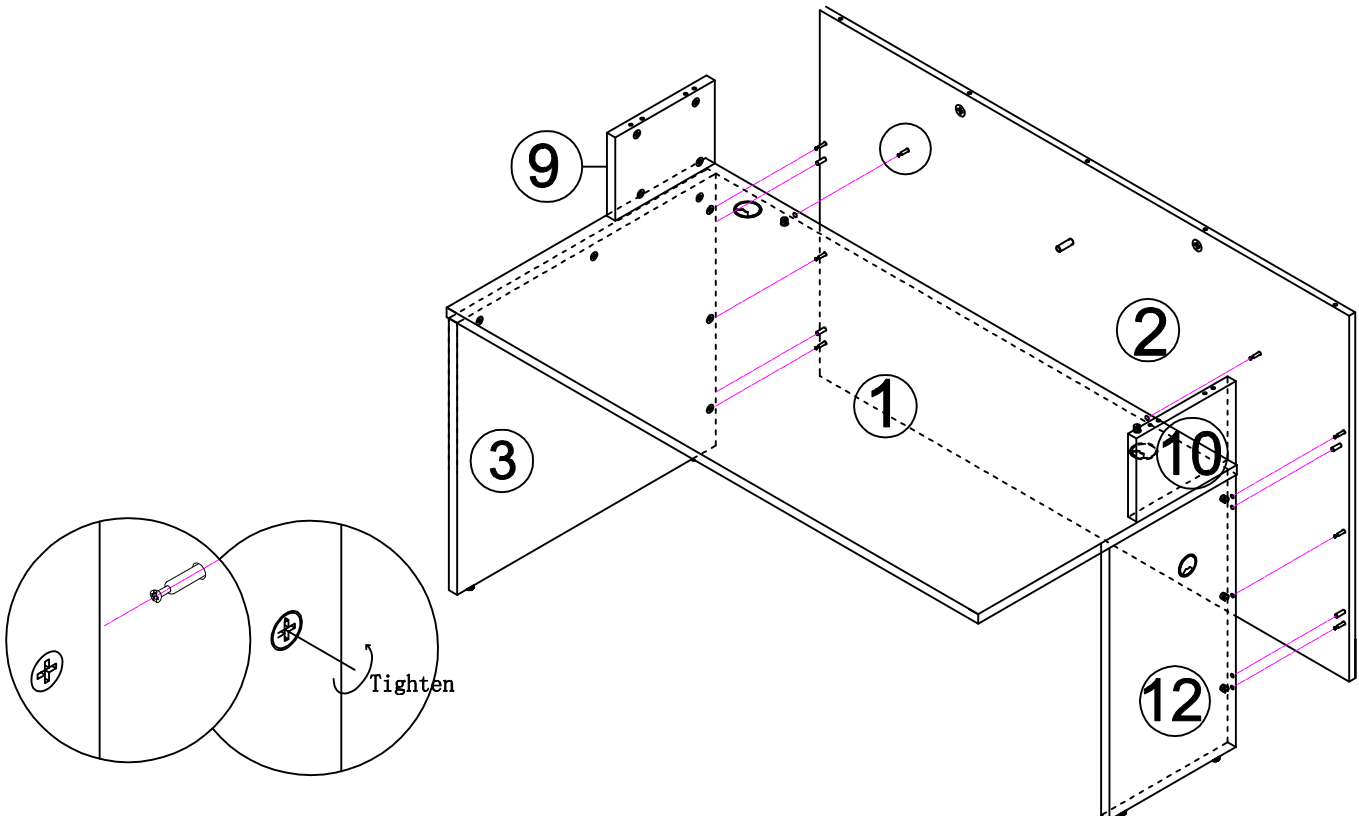
37. CONNECT SIDE PANELS ⑨ & ⑩ TO DESK TOP ① USING ALREADY INSTALLED "B" KLIX CAMS, "A" CAM SCREWS AND "D" DOWELS. TIGHTEN.



38. INSTALL "A" CAM SCREWS, "D" DOWELS AND "B" KLIX CAMS TO FRONT PANEL ② .
 A(8X)
 B(2X)
 D(5X)



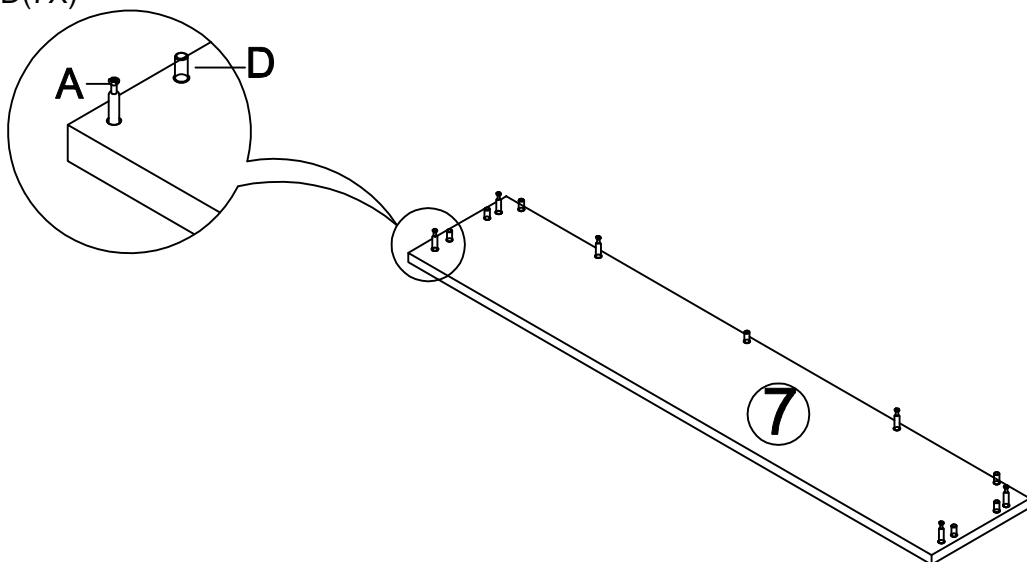
39. CONNECT FRONT PANEL ② TO ① ③ ⑫ ⑨ ⑩ USING ALREADY INSTALLED "B" KLIX CAMS , "A" CAM SCREWS AND "D" DOWELS .TIGHTEN.



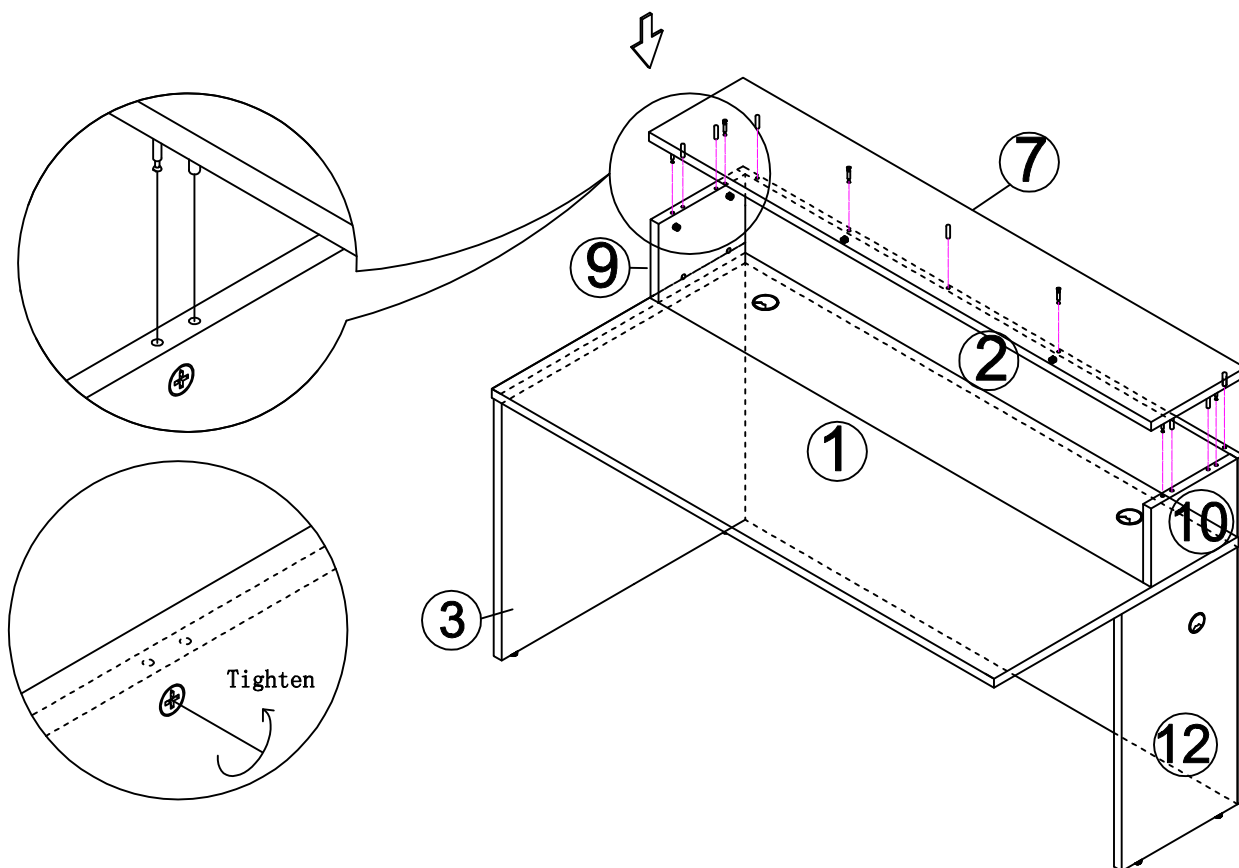
40. INSTALL "A" CAM SCREWS AND "D" DOWELS TO THE UNDER SIDE OF COUNTER TOP ⑦.

A(6X)

D(7X)

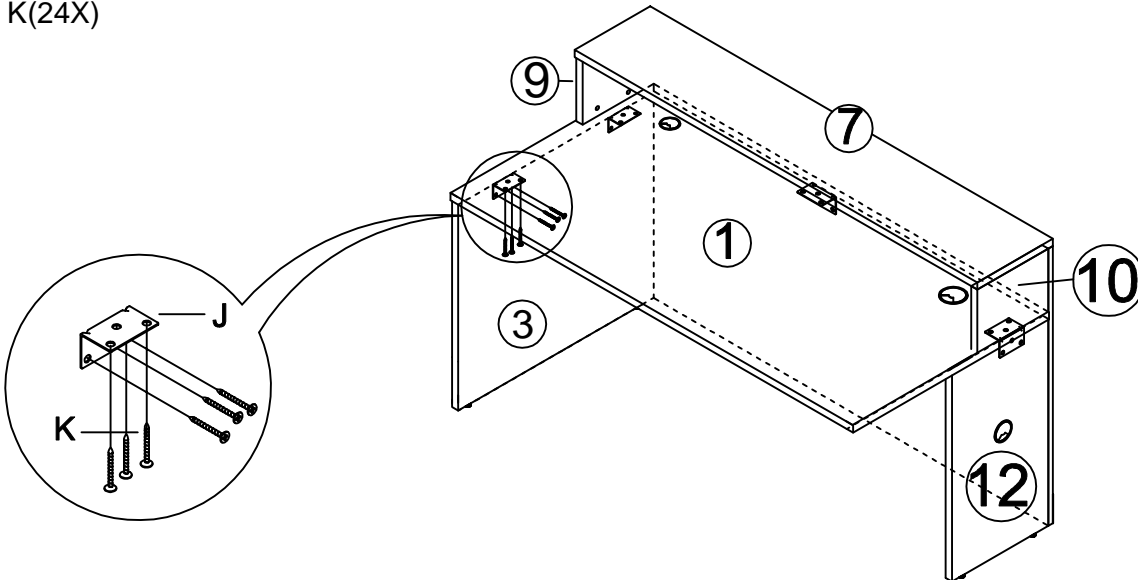


41. CONNECT COUNTER TOP ⑦ TO PANELS ② ⑨ & ⑩ USING ALREADY INSTALLED "B" KLIX CAMS , "A" CAM SCREWS AND "D" DOWELS . TIGHTEN.



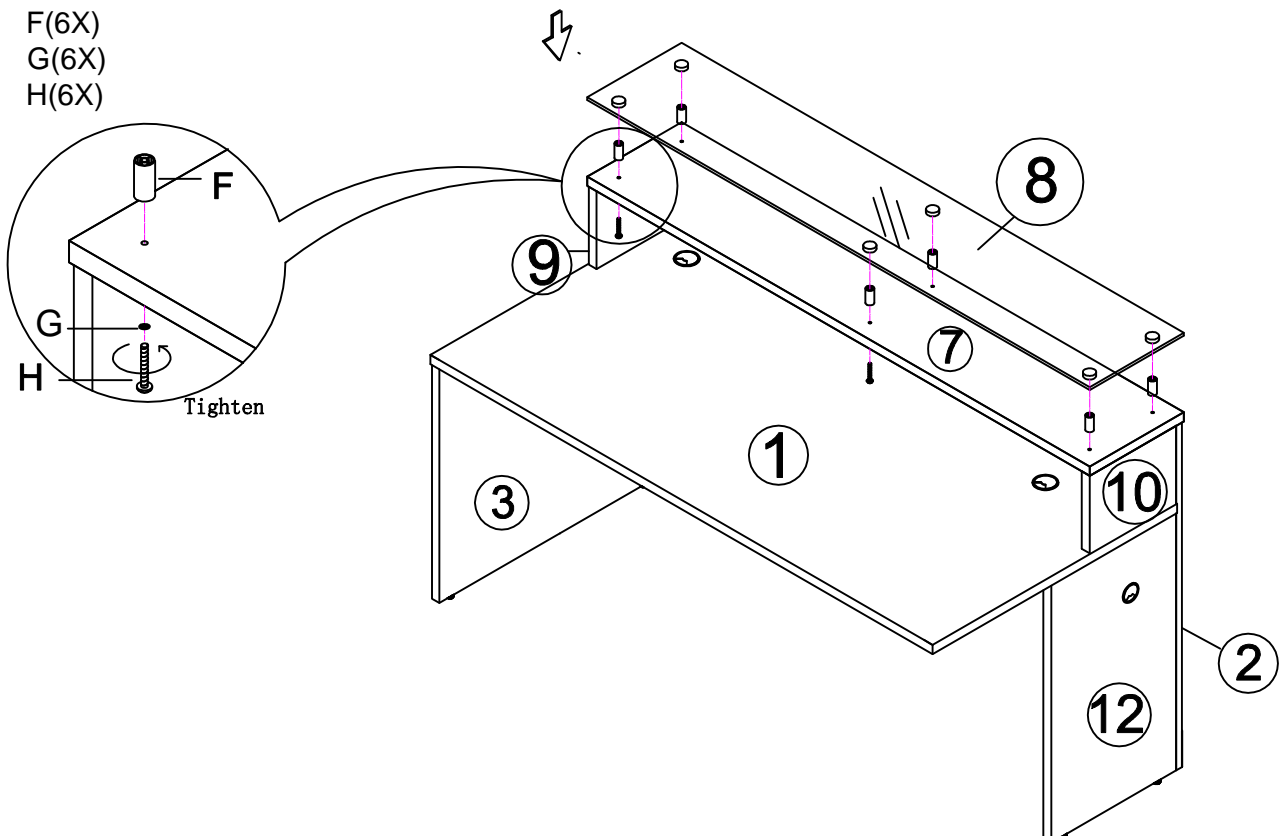
42. INSTALL "J" L BRACKET UNDER THE DESK TOP ① USING "K" SCREWS.

J(4X)
K(24X)



43. CONNECT GLASS TRANSACTION TOP ⑧ TO COUNTER TOP ⑦ USING "F" SCREWS, "G" CUSHIONS AND "H" SCREWS.

F(6X)
G(6X)
H(6X)

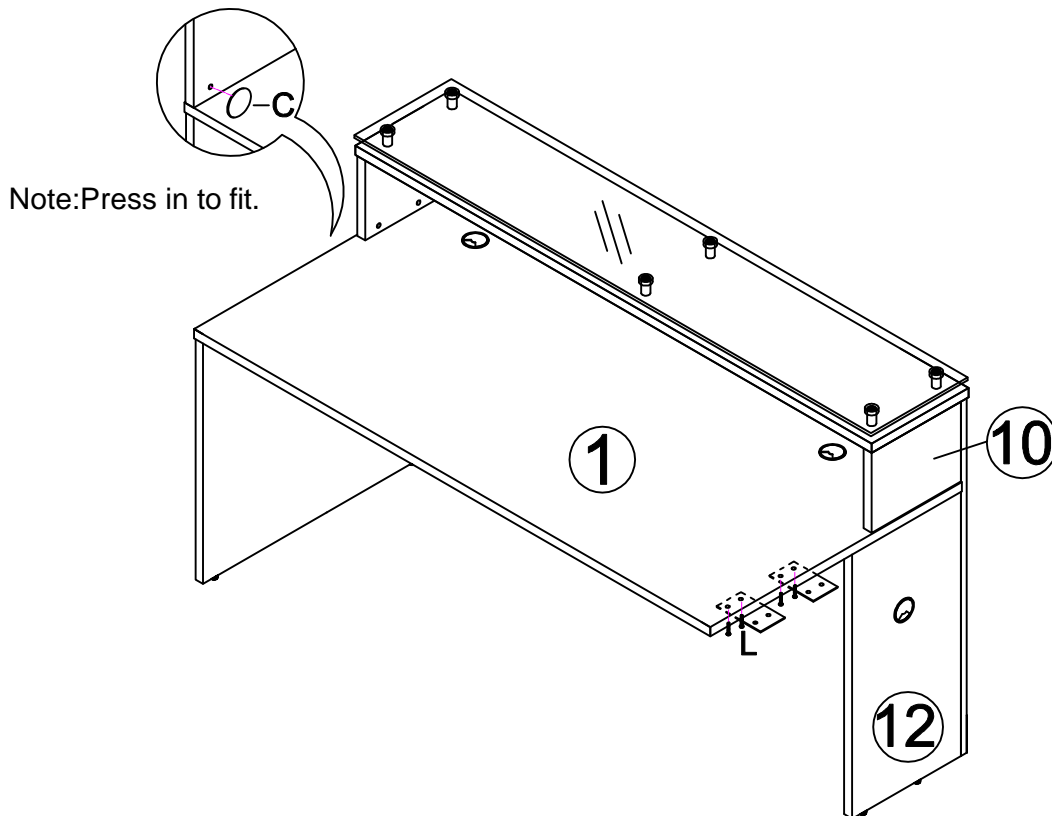


44. USE "C" CAM COVER STICKERS TO COVER ALL EXPOSED KLIX CAMS AND INSTALL "L" BRACEKTS UNDER DESK TOP ①.

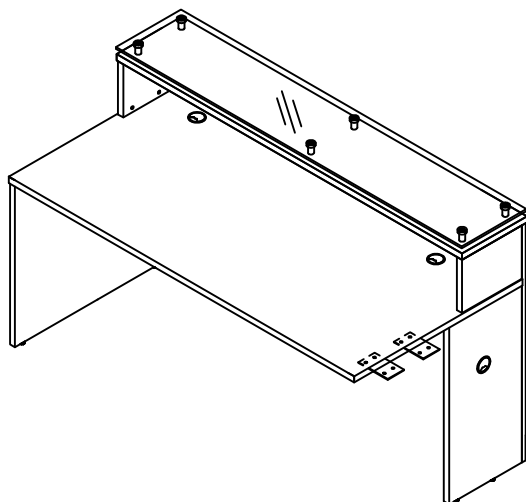
C(32X)

L1(2X)

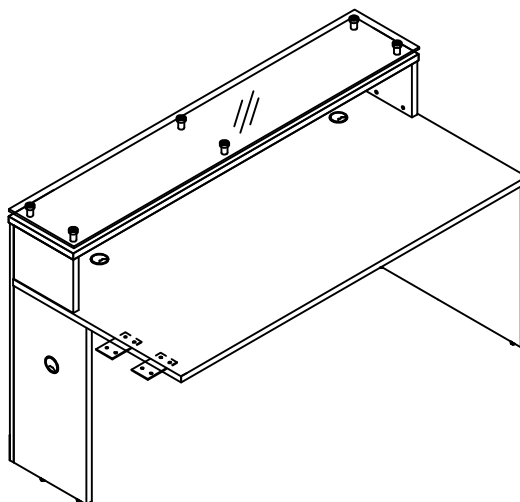
L2(4X)



45. COMPLETE(READY TO ATTACH TO THE END OF ANOTHER DESK)



Left Hand Desk



Right Hand Desk