
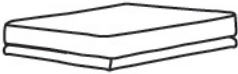


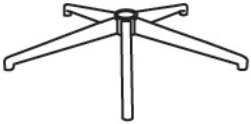

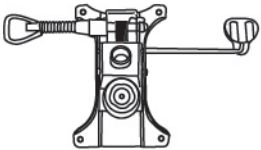





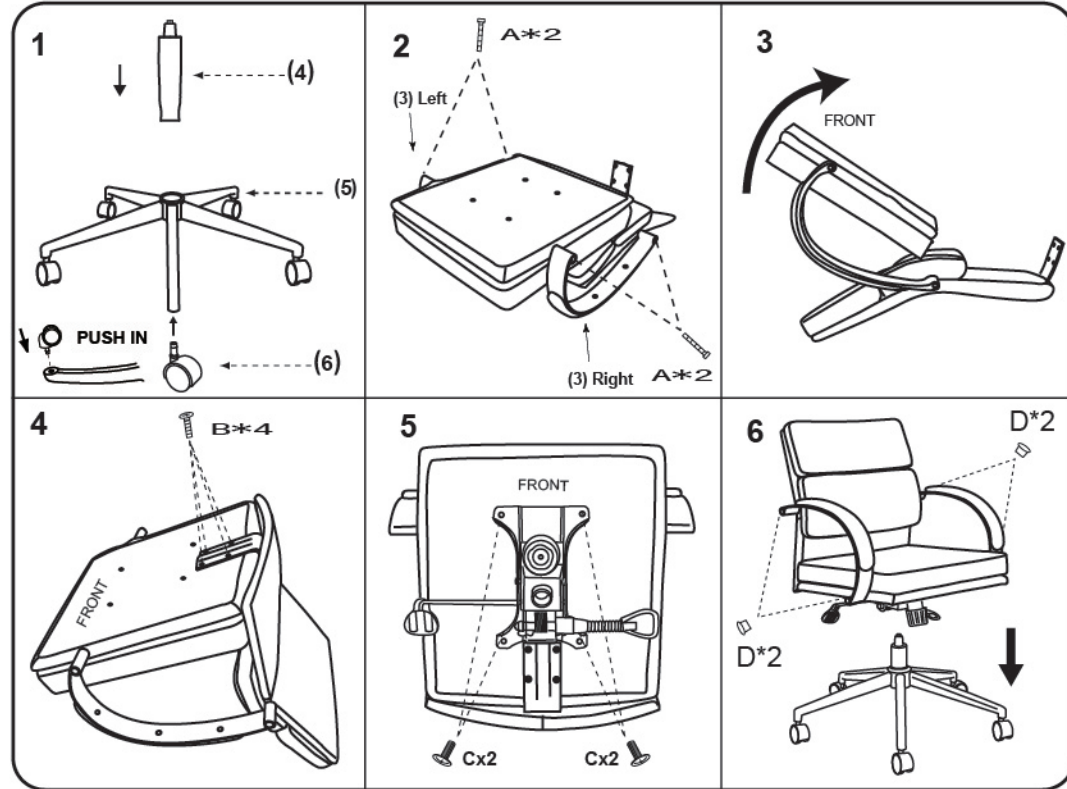


**IMPORTANT NOTICE:  
HARDWARE PACKAGE IS ATTACHED  
ON THE BOTTOM OF SEAT CUSHION.**

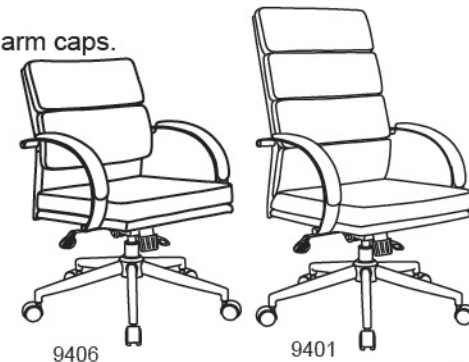
MODEL: B9401/B9406

(1)X1	(2)X1	(3)X1 (L)x1 (R)
		
(4)X1	(5)X1	(6)X5
		
(7)X1		
		
(A)X4		M8*50 ARM SCREW
(B)X4		M8*25 L-BAR SCREW
(C)X4		M8*22 MECHANISM SCREW
(D)X4		ARM CAP
(E)X1		ALLEN KEY



Step 2: Do NOT tighten arm screws.

Step 6: Tighten arm screws before you put on the arm caps.



**Insert and loosely tighten all screws. When assembly is completed, fully tighten all screws before using. This chair is only intended for sitting. Any other use will void the warranty.**