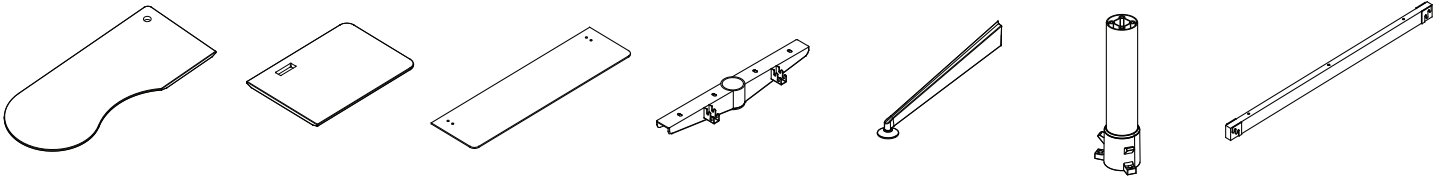


**Congratulations on the purchase of your new *Signature Series* product!**

**COMPONENTS**

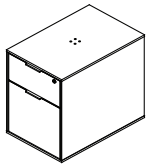
**Parts in carton A**

- (A) Desk Top -1pc (B) Return Desk Top -1pc (C) Modesty Panel -1pc (D) Frame -2pcs (E) Frame -4pcs (F) Frame -2pcs (G) Support bar - 2pcs



**Parts in carton B**

Pedestal



**HARDWARE & TOOLS**

**Parts in carton A**

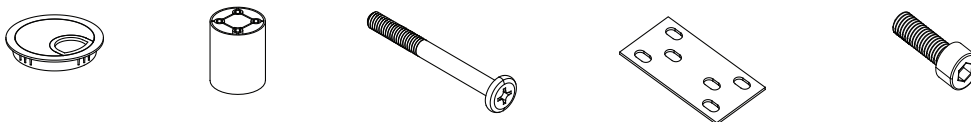
- (H) Screw M6\*8 - 4pcs (I) Screw M6\*15- 30pcs (J) Modesty Panel Bracket A - 2pcs (K) Modesty Panel Bracket B - 2pcs



- (L) Power Bar 1800mm - 1pc (M) Screw M4\*14 - 2pcs (N) Screw M8\*25 - 8pcs (O) Allen Key - 1pc

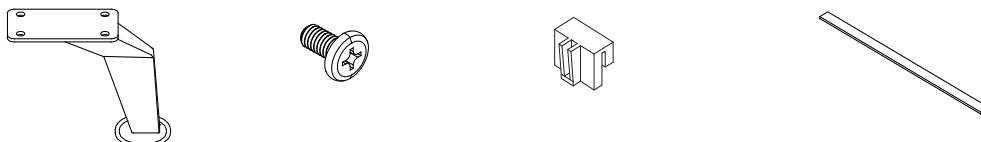


- (P) Grommet - 1pc (Q) Columns - 1pc (R) Screw M6\*120 - 4pcs (S) Connection Plate - 2pcs (X) Screw M8\*40 - 8pcs



**Parts in carton B**

- (T) Supporting foot - 4pcs (U) Screw M6\*12 - 16pcs (V) File hanging Clip - 2pcs (W) File hanging Bar - 1pc



**Tools Required for Assembly**



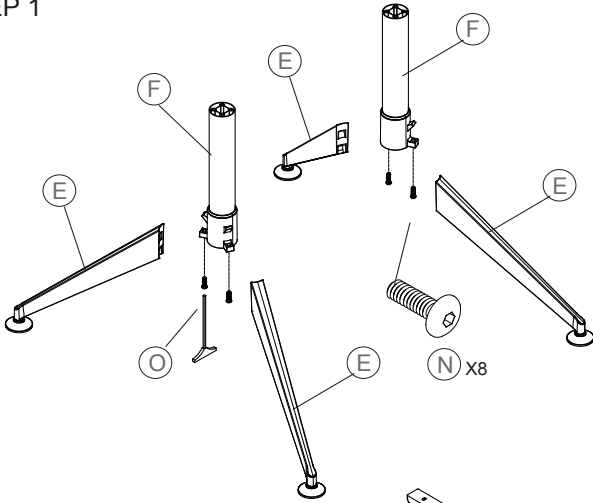
**Philips Screw Driver**

- (H) Screw M6\*8
- (I) Screw M6\*15
- (M) Screw M4\*14
- (R) Screw M6\*120
- (U) Screw M6\*12

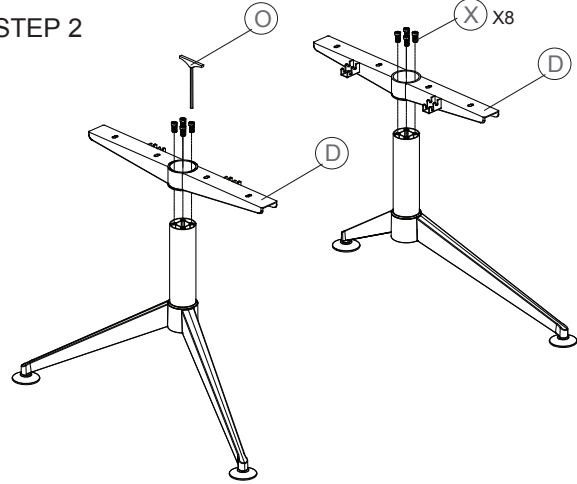
**Congratulations on the purchase of your new *Signature Series* product!**

INSTRUCTIONS

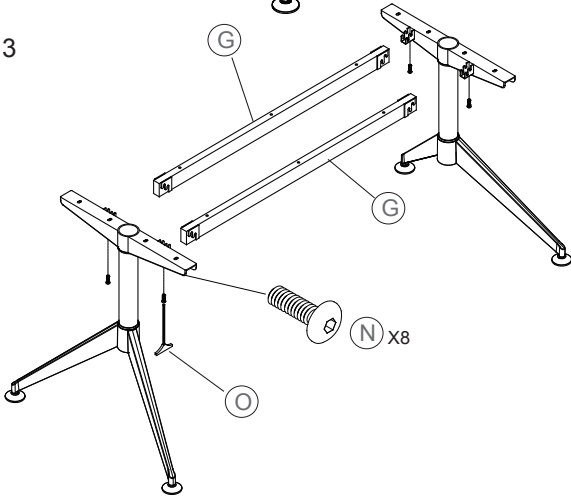
STEP 1



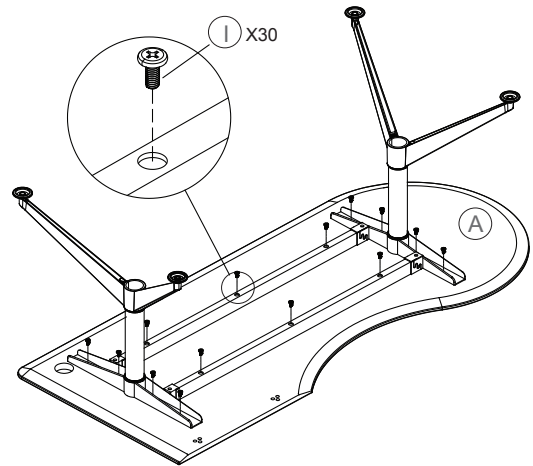
STEP 2



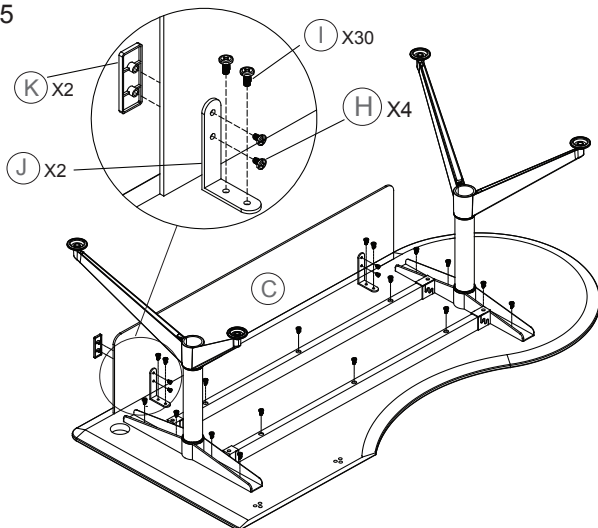
STEP 3



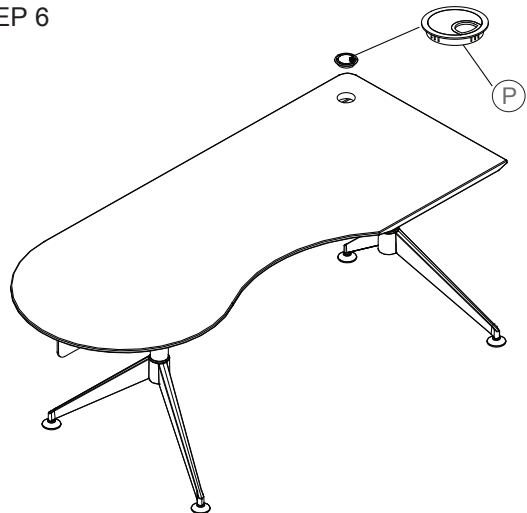
STEP 4



STEP 5



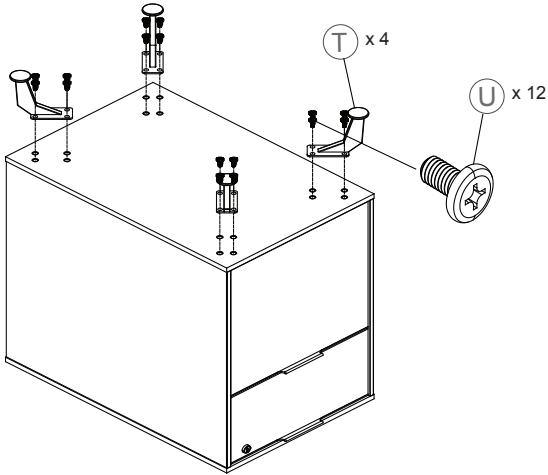
STEP 6



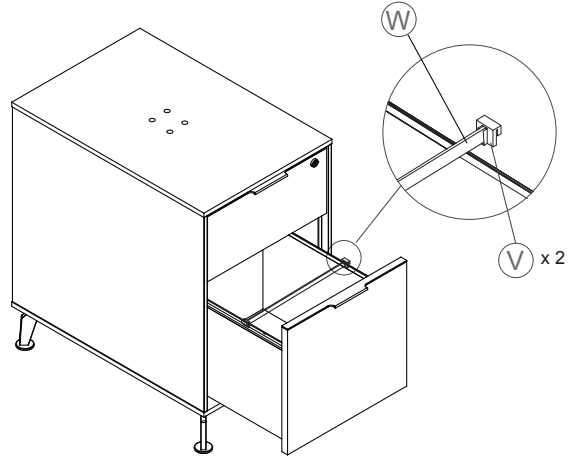
Congratulations on the purchase of your new *Signature Series* product!

INSTRUCTIONS

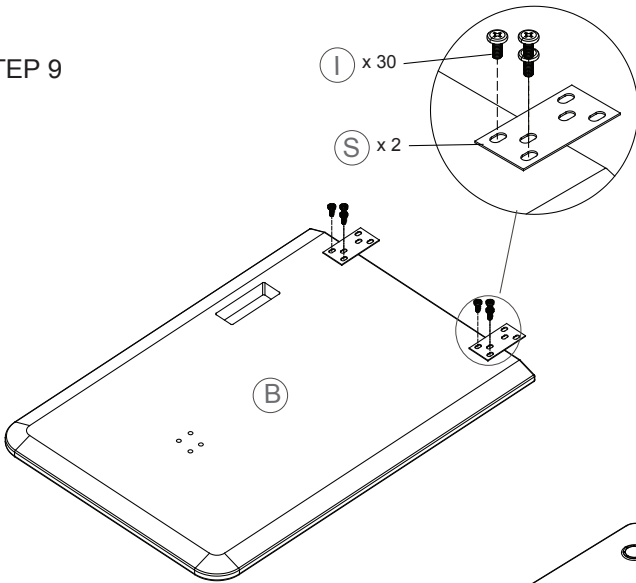
STEP 7



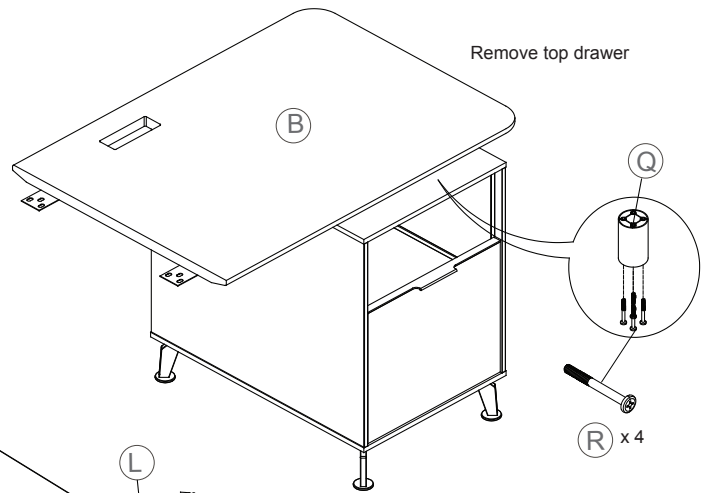
STEP 8



STEP 9



STEP 10



STEP 11

