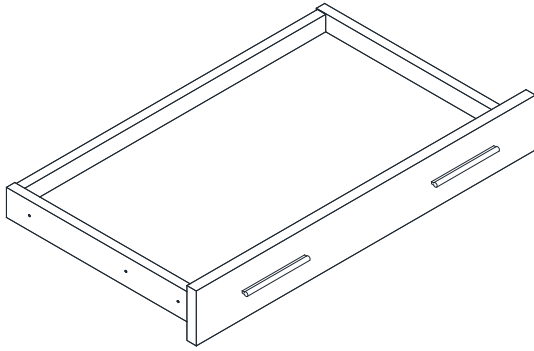


Congratulations on the purchase of your new *Signature Series* product!



Tools Required for Assembly



Philips Screw Driver

HARDWARE & TOOLS

(A) Slide rail- 1set



(B) Handle 120mm- 2pcs



(C) Screw M3.5*14- 6pcs



(D) Screw M3.5*16- 6pcs

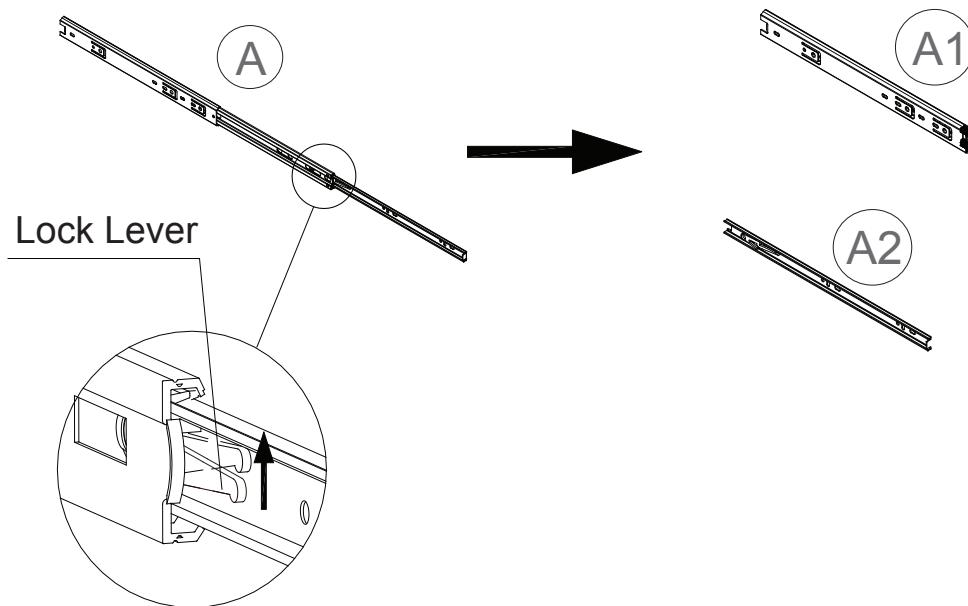


(E) Bolt M4*22- 4pcs



INSTRUCTIONS

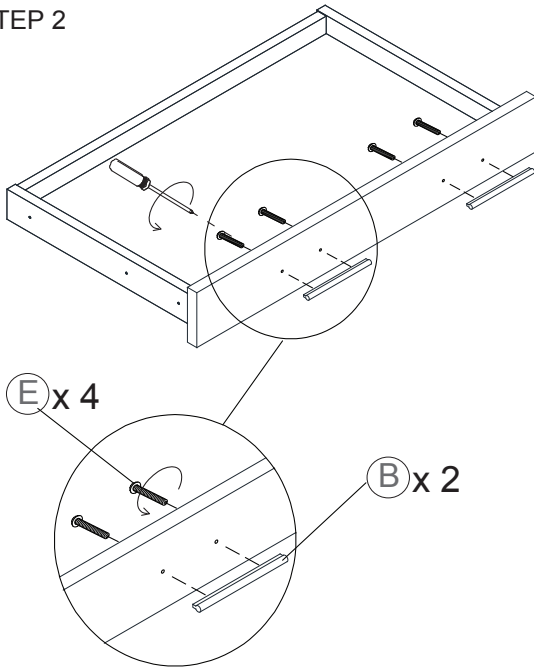
STEP 1



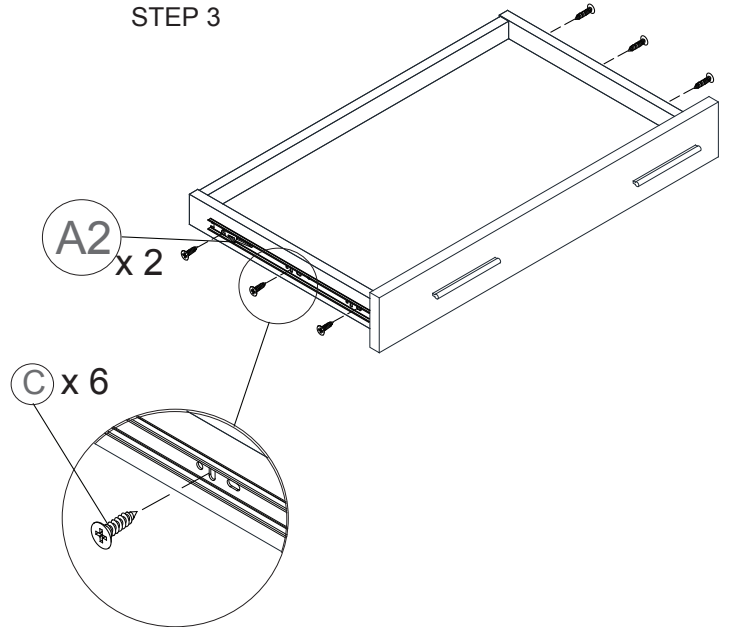
Congratulations on the purchase of your new *Signature Series* product!

INSTRUCTIONS

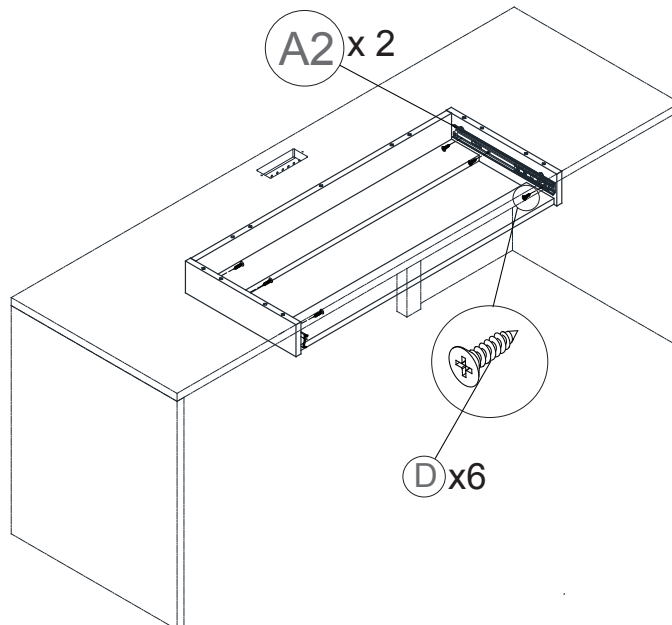
STEP 2



STEP 3



STEP 4



Congratulations on the purchase of your new *Signature Series* product!

INSTRUCTIONS

STEP 5

