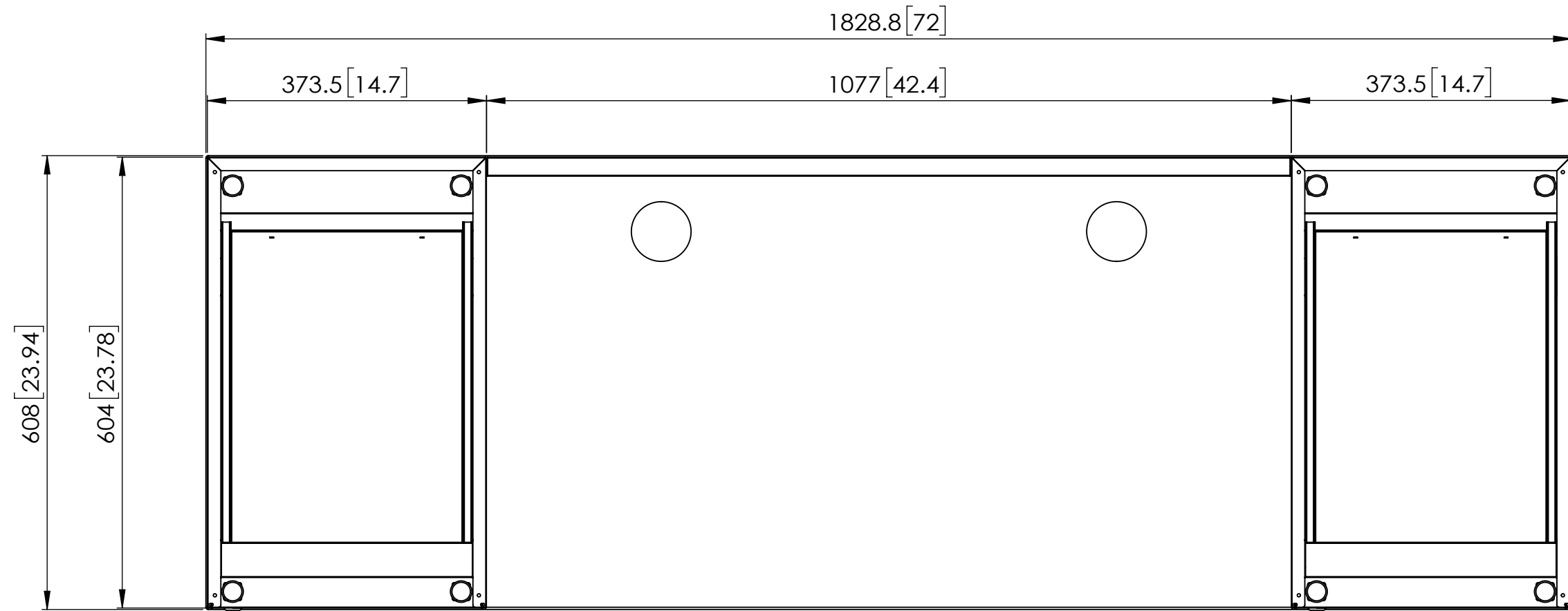
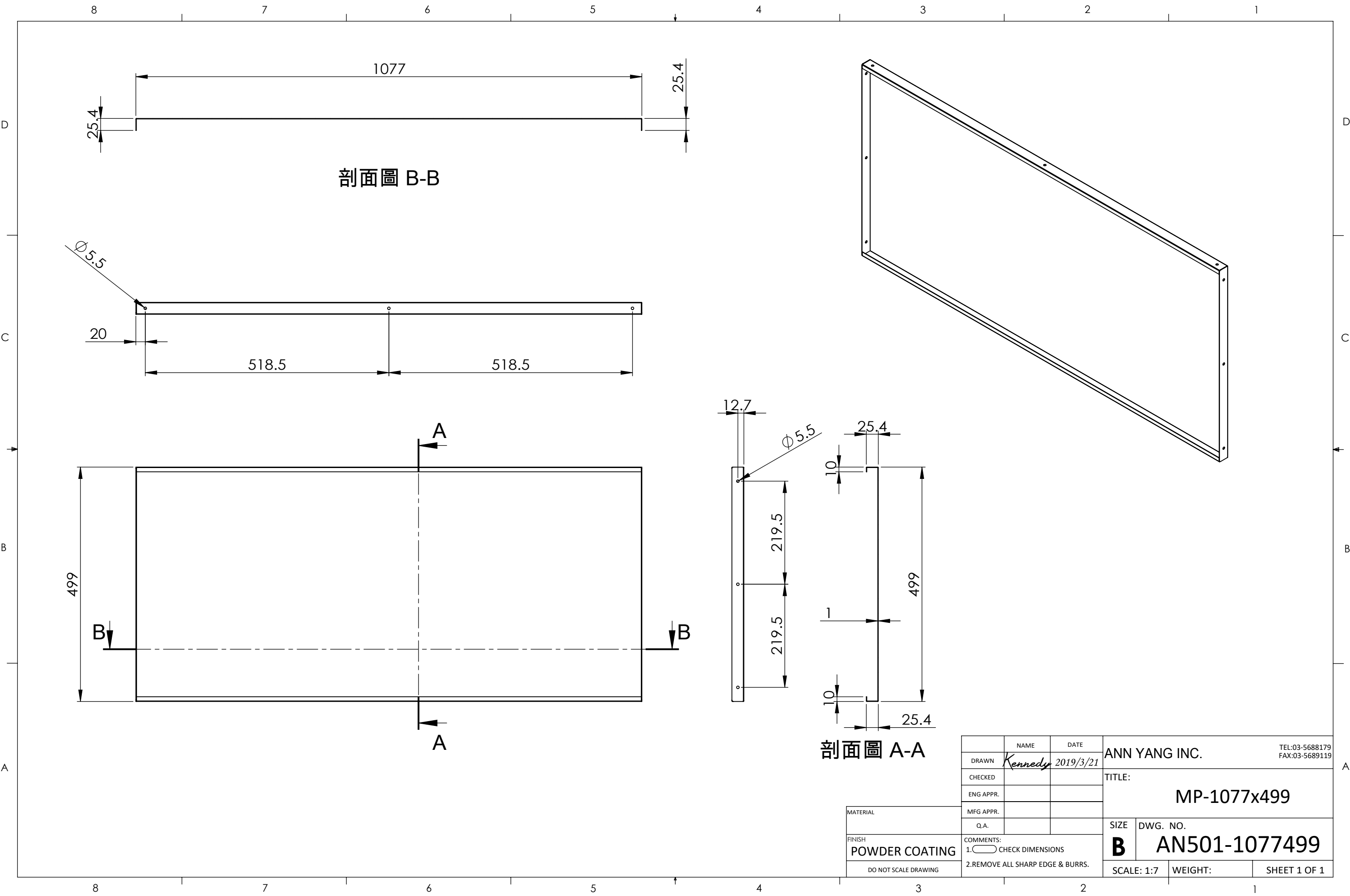


MATERIAL		NAME	DATE	ANN YANG INC.	TEL:03-5688179 FAX:03-5689119
FINISH		DRAWN	2019/3/21		
POWDER COATING		CHECKED		TITLE:	
DO NOT SCALE DRAWING		ENG APPR.		13909	
		MFG APPR.		SIZE	DWG. NO.
		Q.A.		B	13909
		COMMENTS: 1. CHECK DIMENSIONS 2. REMOVE ALL SHARP EDGE & BURRS.		SCALE: 1:20	WEIGHT:
				SHEET 1 OF 2	



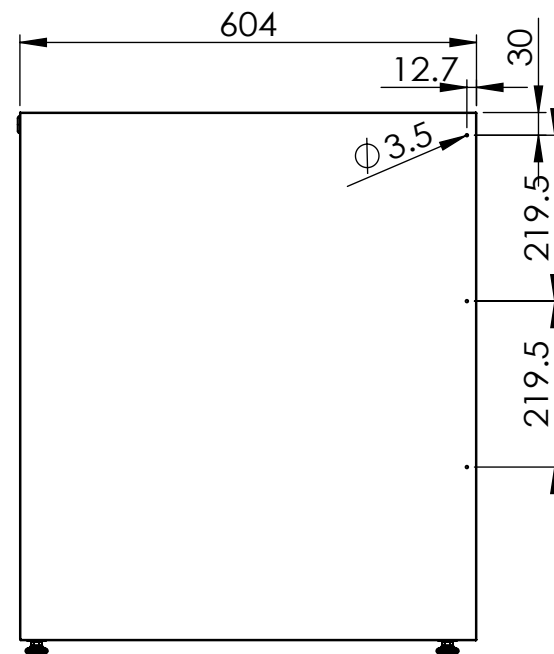
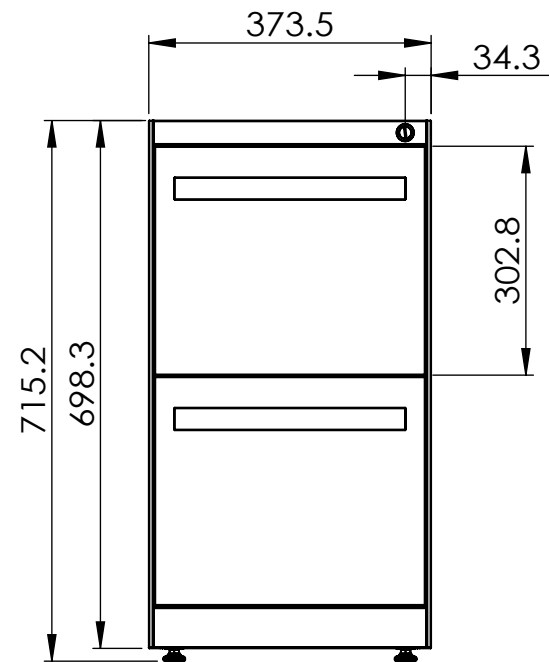
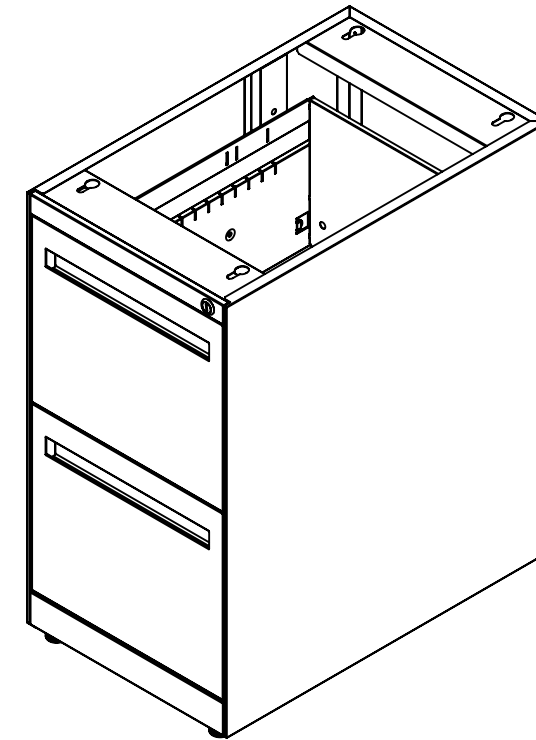
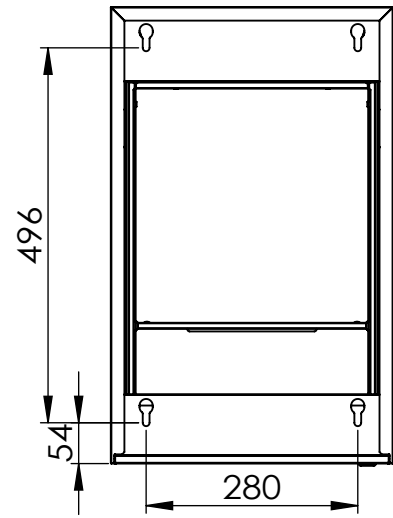
	NAME	DATE	ANN YANG INC.		TEL:03-5688179 FAX:03-5689119
DRAWN	<i>Kennedy</i>	2019/3/21	TITLE:		
CHECKED			Bottom View		
ENG APPR.					
MATERIAL	FINISH	COMMENTS:	SIZE	DWG. NO.	
	POWDER COATING	1. CHECK DIMENSIONS 2. REMOVE ALL SHARP EDGE & BURRS.	B	13909	
DO NOT SCALE DRAWING			SCALE: 1:7	WEIGHT:	SHEET 2 OF 2



剖面圖 B-B

剖面圖 A-A

	NAME	DATE	ANN YANG INC.		TEL:03-5688179 FAX:03-5689119
DRAWN	<i>Kennedy</i>	2019/3/21	TITLE:		
CHECKED			MP-1077x499		
ENG APPR.					
MATERIAL			SIZE	DWG. NO.	
FINISH	POWDER COATING		B	AN501-1077499	
	DO NOT SCALE DRAWING			SCALE: 1:7	WEIGHT:
COMMENTS:					
1. CHECK DIMENSIONS					
2. REMOVE ALL SHARP EDGE & BURRS.					



	NAME	DATE	ANN YANG INC.		TEL:03-5688179 FAX:03-5689119
DRAWN	<i>Kennedy</i>	2019/3/21	TITLE:		
CHECKED			RP24FF		
ENG APPR.					
MATERIAL	MFG APPR.		SIZE	DWG. NO.	
FINISH	Q.A.		B	AN105-001-RP24FF	
POWDER COATING	COMMENTS: 1. CHECK DIMENSIONS 2. REMOVE ALL SHARP EDGE & BURRS.			SCALE: 1:10	WEIGHT:
DO NOT SCALE DRAWING					