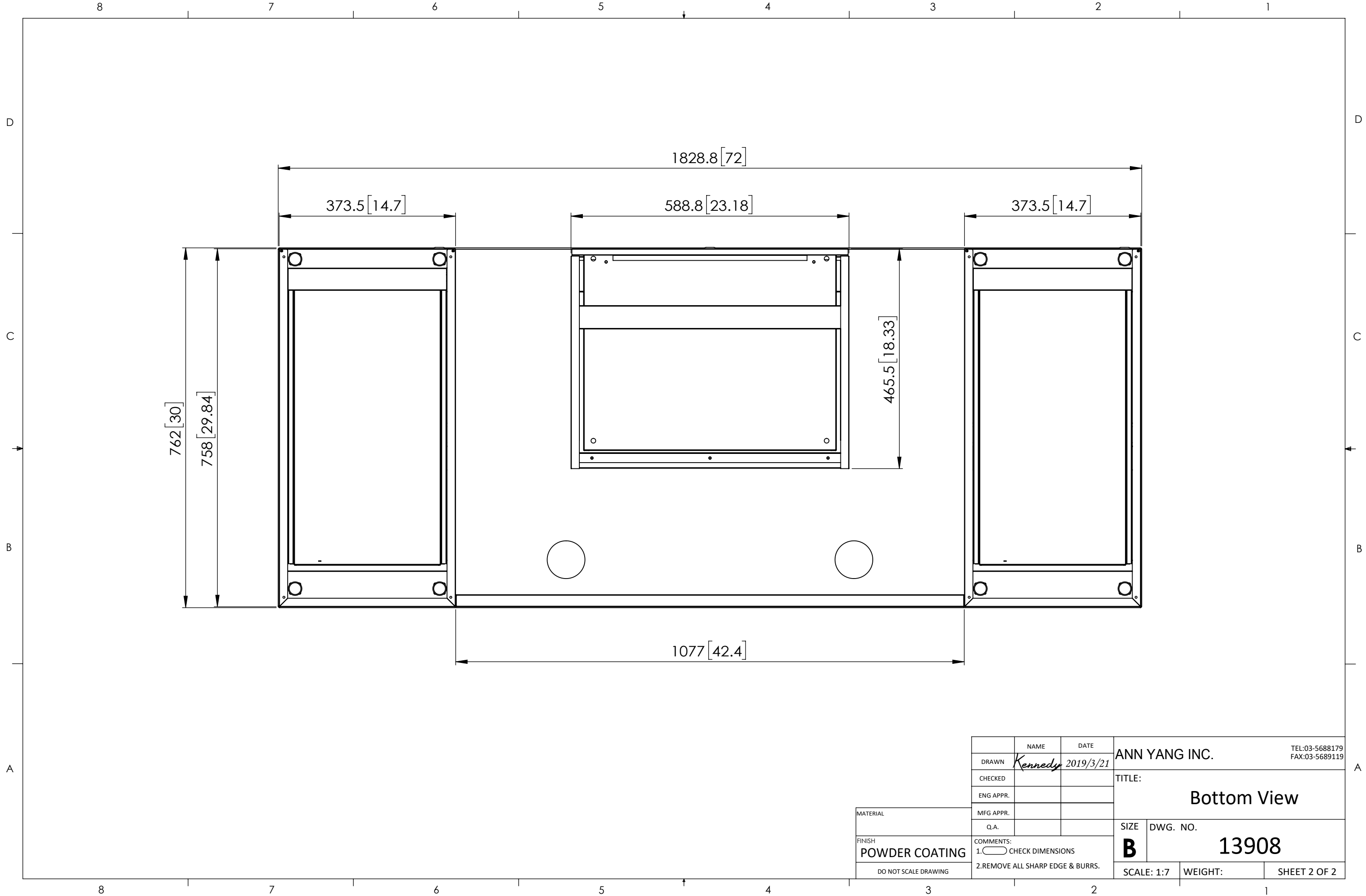
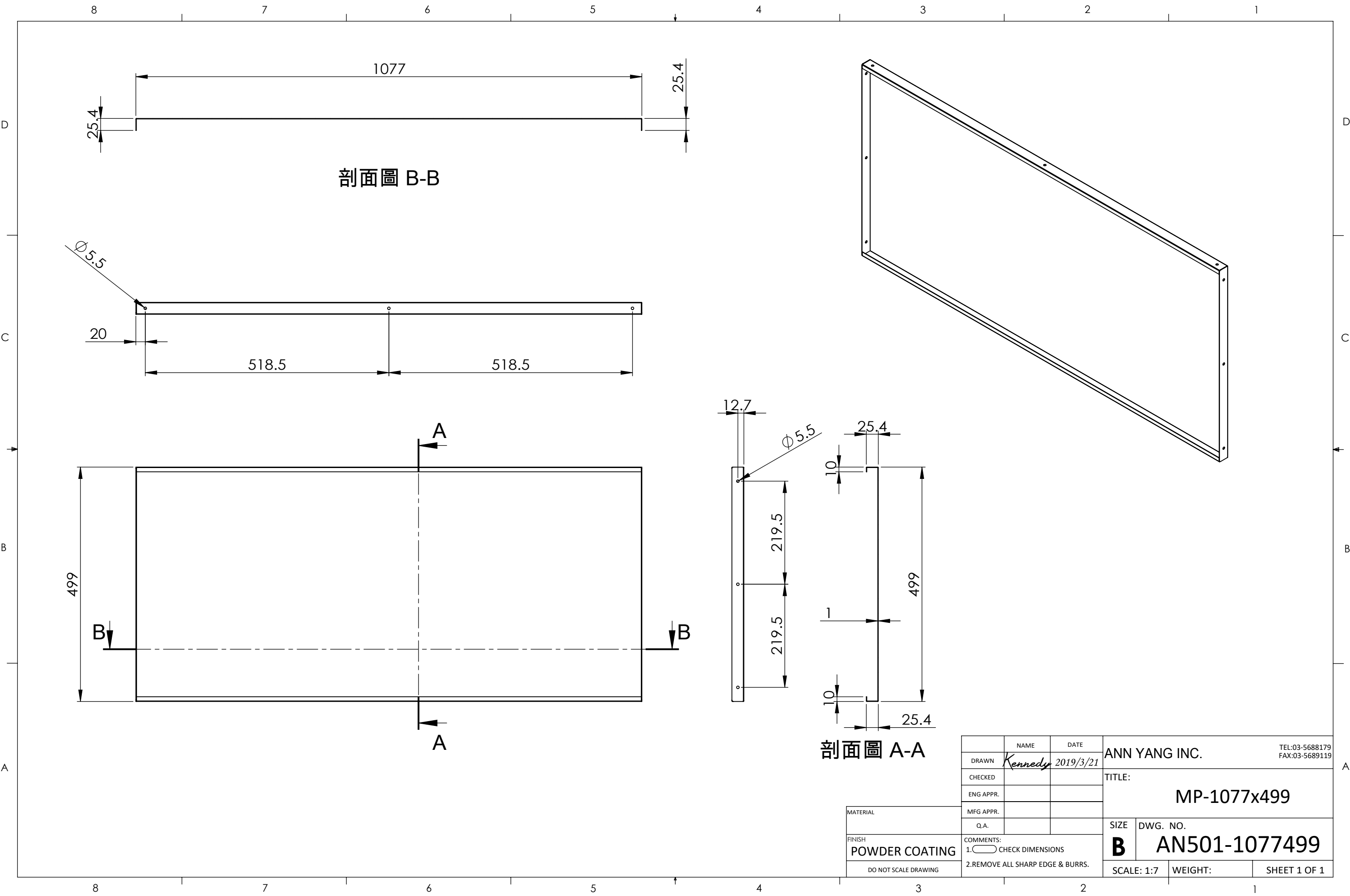


	NAME	DATE	ANN YANG INC.		TEL:03-5688179 FAX:03-5689119
DRAWN	<i>Kennedy</i>	2019/3/21	TITLE:		
CHECKED			13908		
ENG APPR.					
MATERIAL			SIZE	DWG. NO.	
FINISH	POWDER COATING		B	13908	
	DO NOT SCALE DRAWING			SCALE: 1:20	WEIGHT:
	COMMENTS:				
	1. CHECK DIMENSIONS				
	2. REMOVE ALL SHARP EDGE & BURRS.				



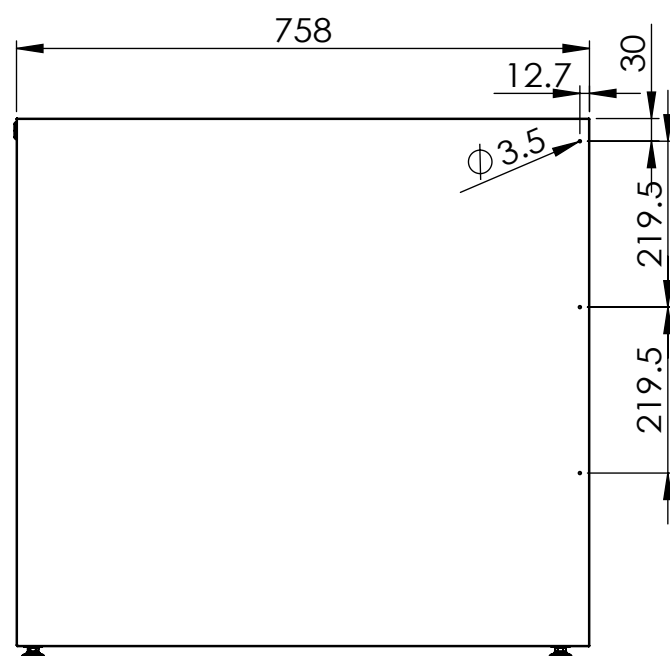
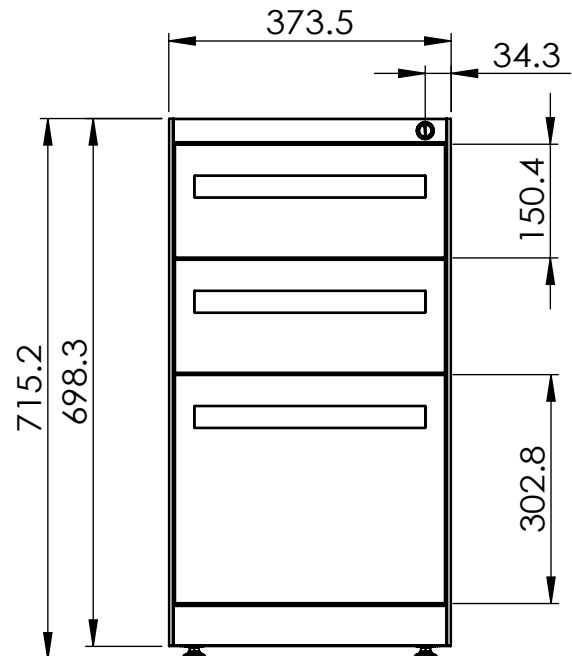
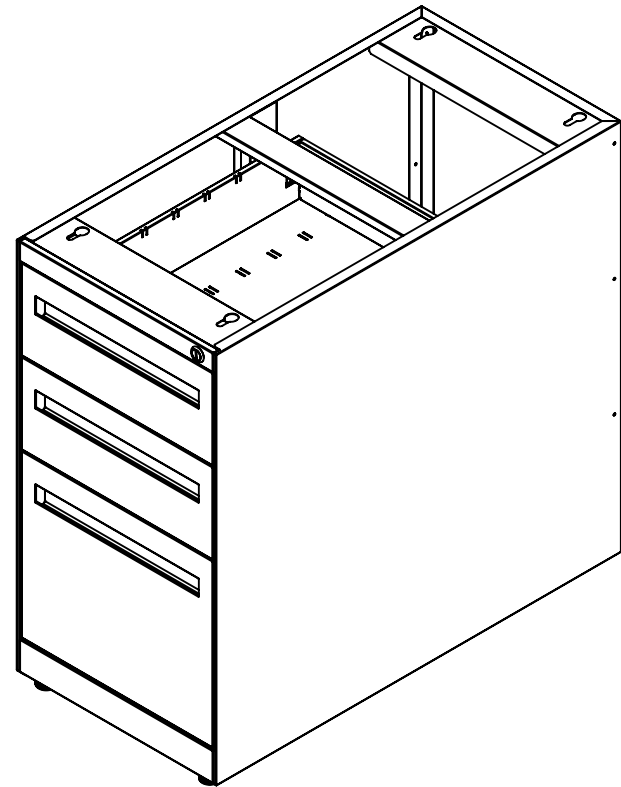
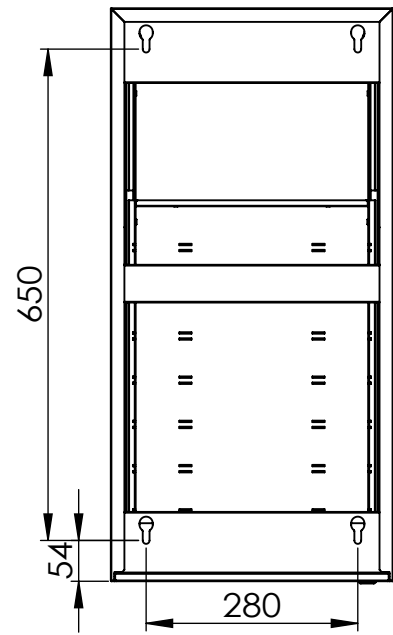
DRAWN		NAME	DATE	ANN YANG INC.		TEL:03-5688179
CHECKED		<i>Kennedy</i>	2019/3/21	TITLE:		FAX:03-5689119
ENG APPR.				Bottom View		
MFG APPR.						
MATERIAL				SIZE	DWG. NO.	
FINISH				B	13908	
POWDER COATING		COMMENTS:		SCALE: 1:7	WEIGHT:	SHEET 2 OF 2
DO NOT SCALE DRAWING		1. CHECK DIMENSIONS 2. REMOVE ALL SHARP EDGE & BURRS.				



剖面圖 B-B

剖面圖 A-A

	NAME	DATE	ANN YANG INC.		TEL:03-5688179 FAX:03-5689119
DRAWN	<i>Kennedy</i>	2019/3/21	TITLE:		
CHECKED			MP-1077x499		
ENG APPR.					
MATERIAL			SIZE	DWG. NO.	
FINISH	POWDER COATING		B	AN501-1077499	
	DO NOT SCALE DRAWING			SCALE: 1:7	WEIGHT:
COMMENTS:					
1. CHECK DIMENSIONS					
2. REMOVE ALL SHARP EDGE & BURRS.					



	NAME	DATE	ANN YANG INC.		TEL:03-5688179 FAX:03-5689119
DRAWN	<i>Kennedy</i>	2019/3/21	TITLE:		
CHECKED			RP30BBF		
ENG APPR.					
MATERIAL	MFG APPR.		SIZE	DWG. NO.	
FINISH	Q.A.		B	AN105-001-RP30BBF	
DO NOT SCALE DRAWING	COMMENTS: 1. CHECK DIMENSIONS 2. REMOVE ALL SHARP EDGE & BURRS.		SCALE: 1:10	WEIGHT:	SHEET 1 OF 1