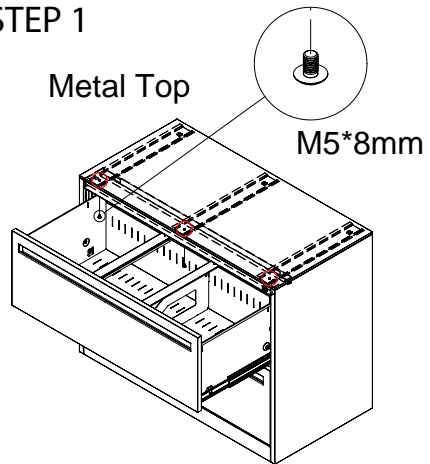


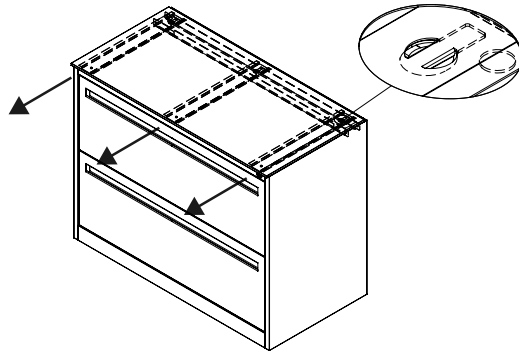
Congratulations on the purchase of your new *Signature Series* product!

STEP 1

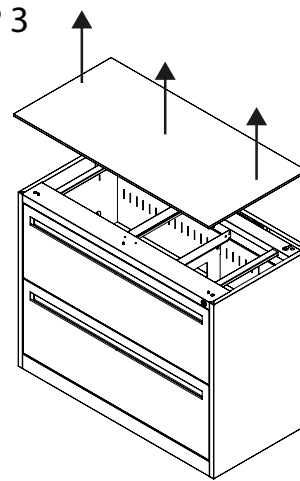


Remove these 3 screws from the top.

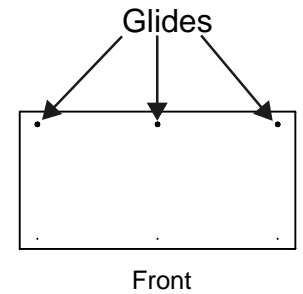
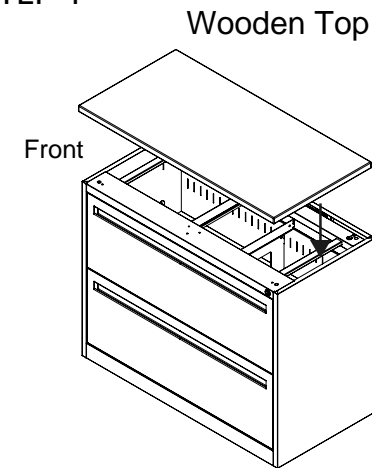
STEP 2



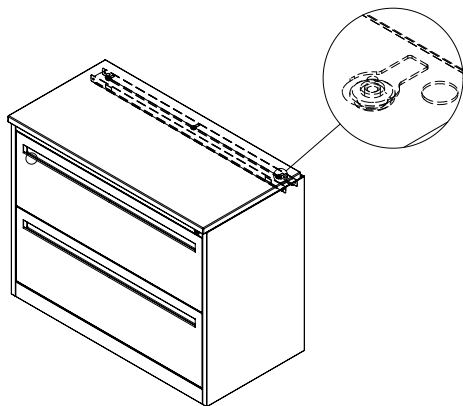
STEP 3



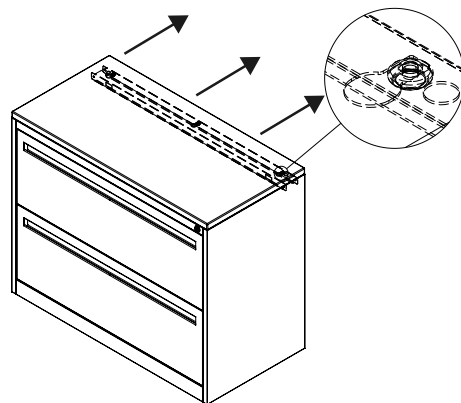
STEP 4



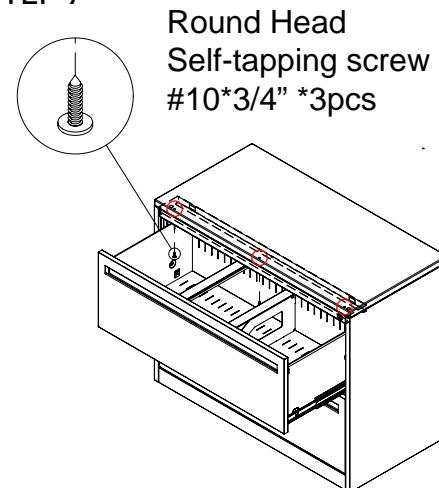
STEP 5



STEP 6



STEP 7



FINISH

