

CARBON COLLECTION

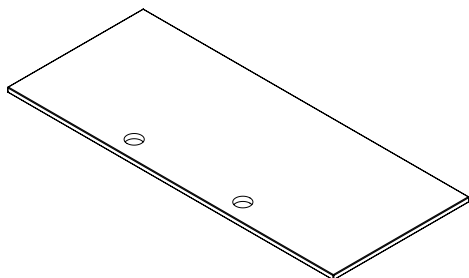
72"x30" DOUBLE PEDESTAL DESK

ASSEMBLY INSTRUCTIONS

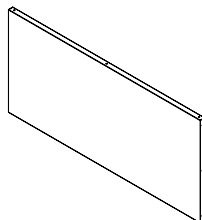
Congratulations on the purchase of your new *Signature Series* product!

COMPONENTS

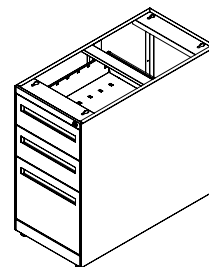
A. 72"x30" Table Top*1pc



B. Modesty Panel*1pc



C. 30" Pedestal*2pcs

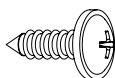


HARDWARE

(1).Self-tapping
Screw 4*10mm-6pcs



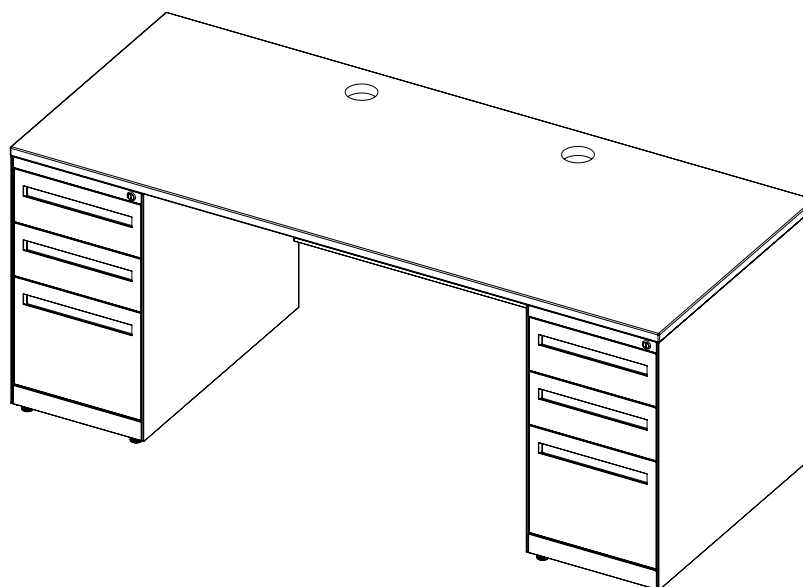
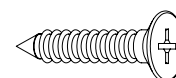
(2).Self-tapping
Screw #10*3/4"-3pcs



(3).Shoulder Rivet-8pcs

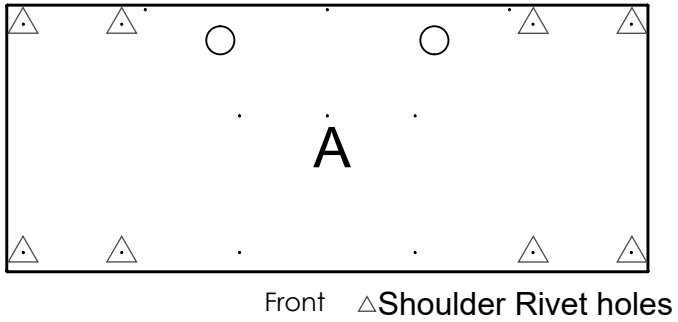


(4).Flat Head Screw
#10*1" -8pcs

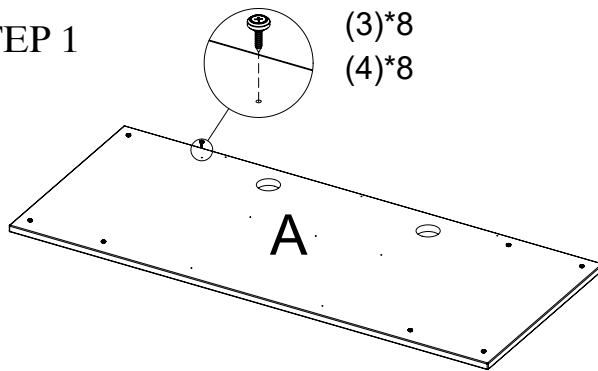


Congratulations on the purchase of your new *Signature Series* product!

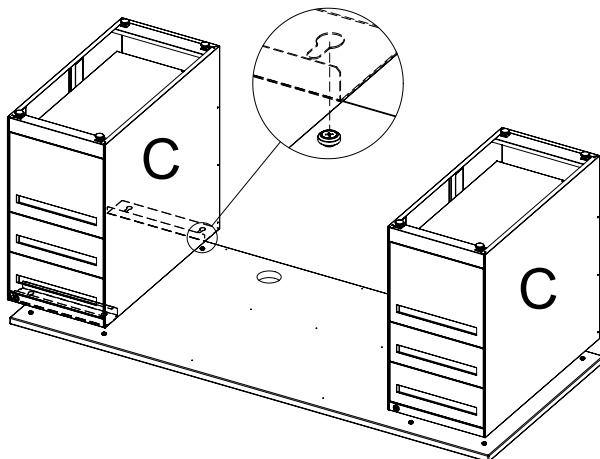
INSTRUCTIONS FOR 72"x30" DESK



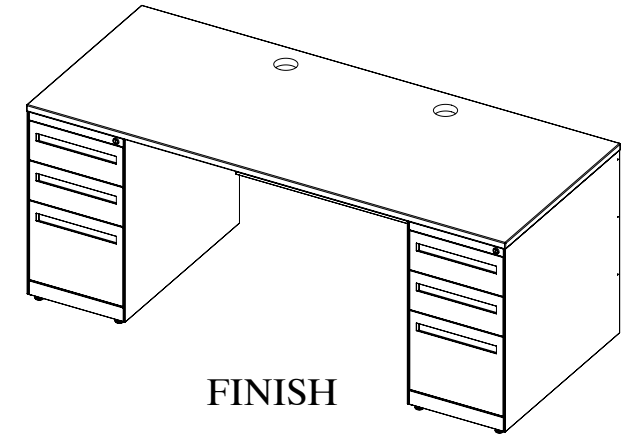
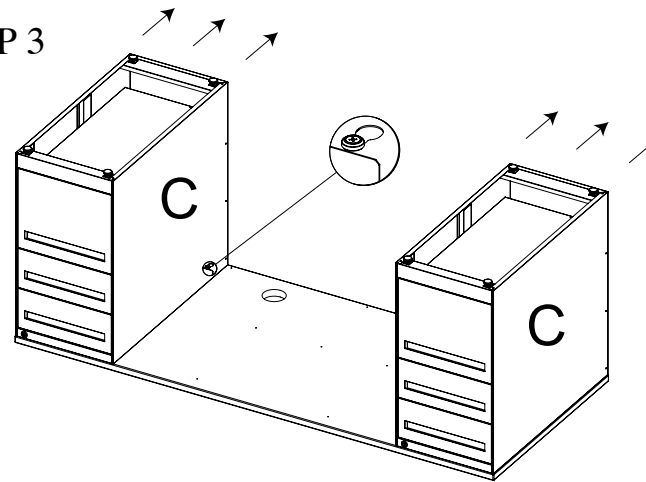
STEP 1



STEP 2



STEP 3



STEP 4

