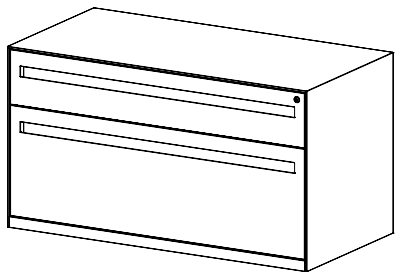


MIDLAND COLLECTION 36" LATERAL FILE STORAGE DRAWER ASSEMBLY INSTRUCTION

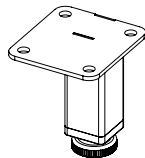
Congratulations on the purchase of your new *Signature Series* product!

COMPONENTS

(A) 36" Lateral File Storage*1pc



(B) Leveling Glide Leg*4pcs



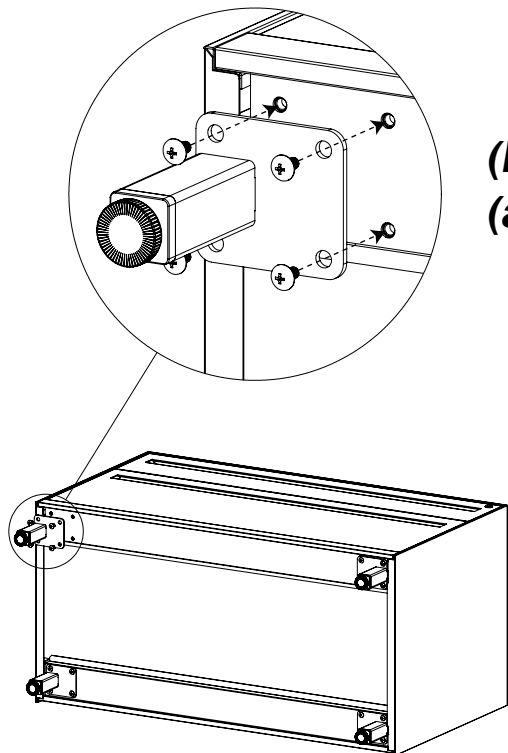
HARDWARE

(a) Screw
M6*12mm-16pcs



INSTRUCTIONS FOR 36" LATERAL FILE STORAGE DRAWER

STEP 1



(B)*4
(a)*16

FINISH

