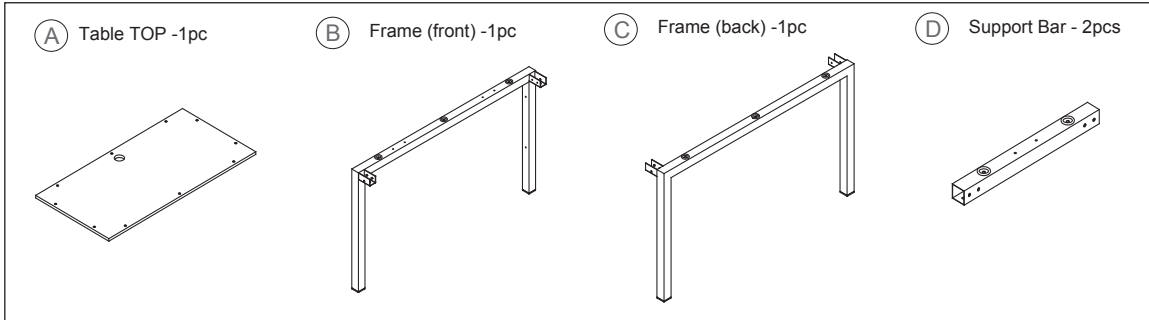
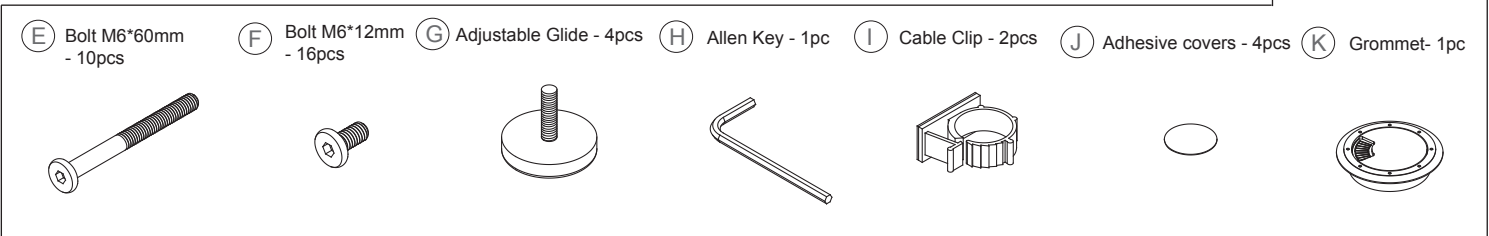


Congratulations on the purchase of your new *Signature Series* product!

COMPONENTS

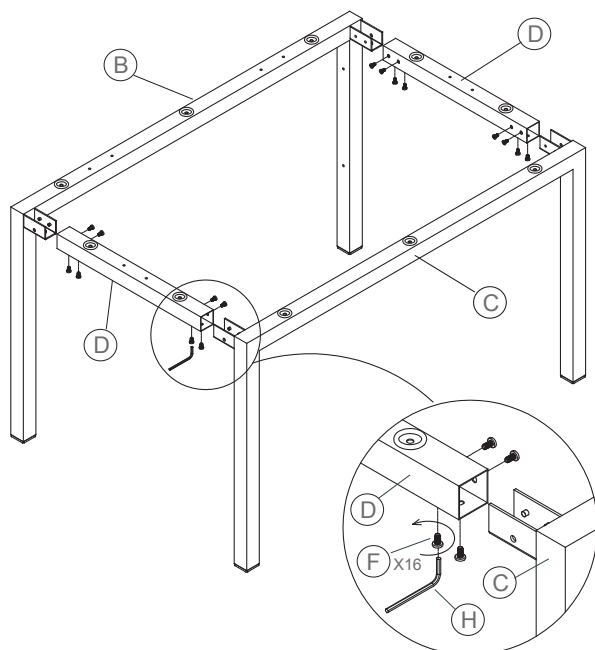


HARDWARE & TOOLS



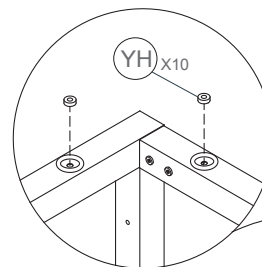
INSTRUCTIONS

STEP 1 **Note: Do not tighten screws until all screws have been hand-started.**

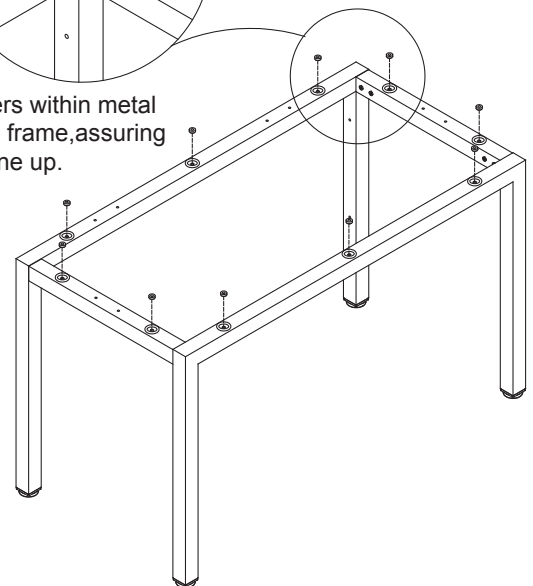


STEP 2

Peel off the film of **YH** Washers



Stick washers within metal rings on the frame, assuring that holes line up.



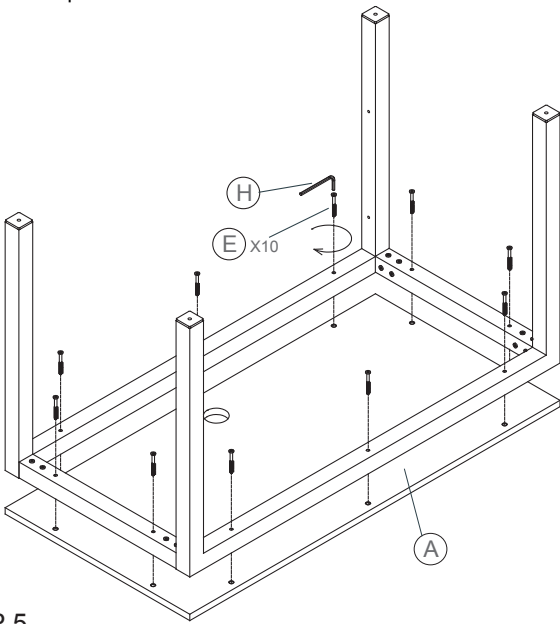
Congratulations on the purchase of your new *Signature Series* product!

INSTRUCTIONS

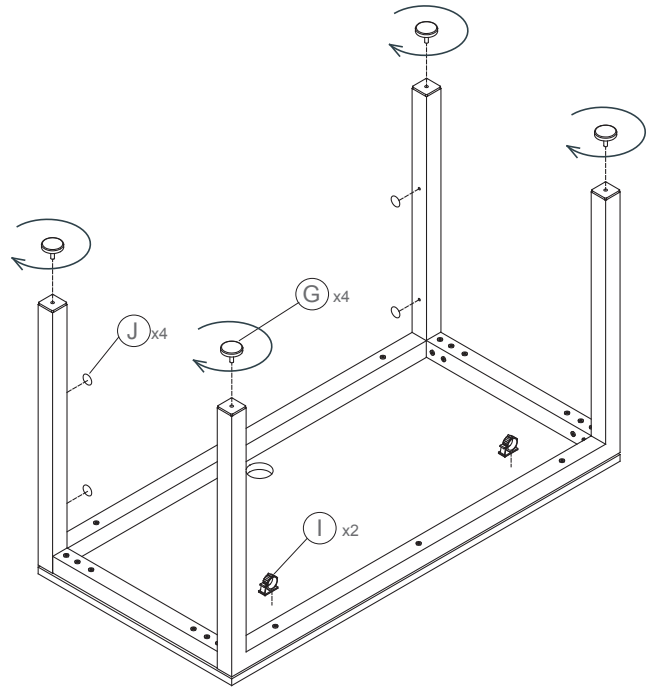
STEP 3

NOTE

If you purchase the Frosted Glass Privacy Panel, make sure to install the metal bracket, from the panel hardware kit, to the station before assembling the desk top.



STEP 4



STEP 5

