

the original active office
seating solution!

swōpper[®]
for the benefit of your back



active office seating

via[™]
MOTION
SEATING

swopper®

for the benefit of your back

swopper (classic) edition

Color-coordinated ultrasuede seat cover and matching color springs: orange, blue and red. (Gray and black ship with standard Anthracite colored spring)

swopper classic edition ships standard with Anthracite base (charcoal gray). Not available with casters.

swopper (AIR)

swopper AIR offers a unique combination of the 3DEA high-tech cushioning material and the AIR climate seat cover.

- High-Tech seat cover and cushioning
- Breathable, heat-regulating seat construction
- 3 colors (lime green, stone grey, silver)
- Anthracite base only (with or without casters)

made-to-order

Choose from many Via in-stock fabrics or leathers or specify approved COM/COL. visit Viaseating.com/motion for availability.



made to order

base and spring color

- Titanium (only available without casters)
- Anthracite base (available with or without casters)

benefits

- Improves posture
- Combats static sitting and standing
- Provides relief for back pain
- Strengthens and conditions muscles of back, abdomen and legs
- Improves nourishment to the inter-vertebral discs
- Improves circulation to the lower extremities
- Assists lymphatic flow
- Provides a fun and energizing sitting experience



Titanium base

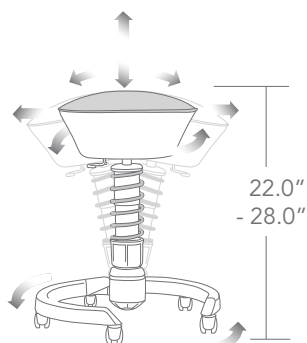
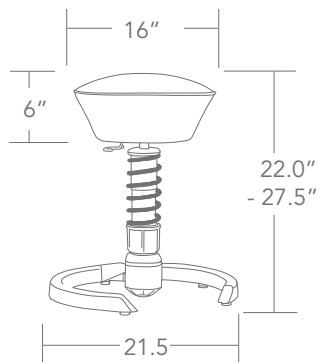


Anthracite base

adjustments:

- Height - pneumatic lift
- Spring tension (verticle bounce)
- Lateral tension (side to side)

Weight capacity 290 lbs.



Dynamic Backrest
(Anthracite finish only)



Breathable,
heat regulating
seat construction



swopper Air



swopper classic edition

