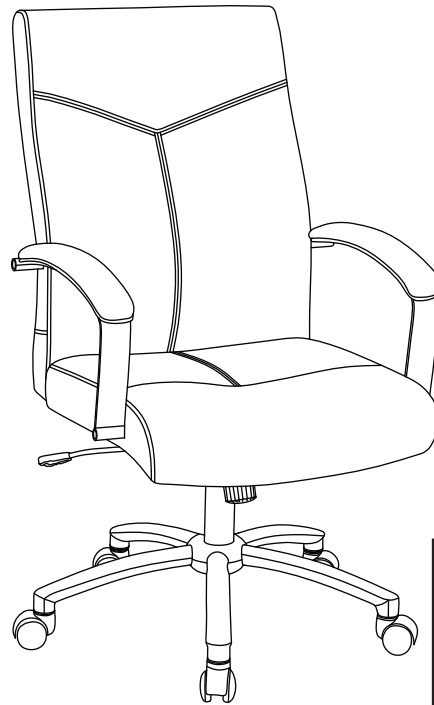
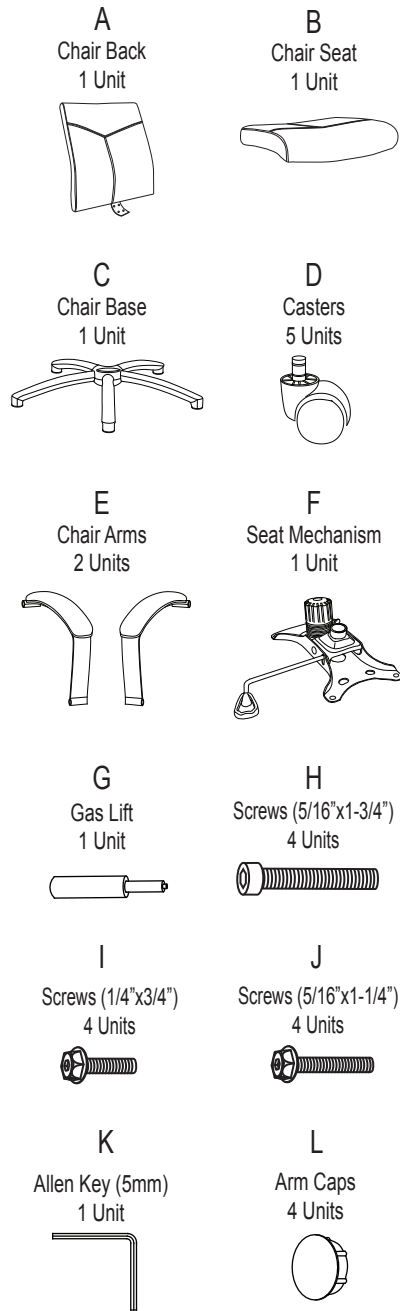


# Model E-1003

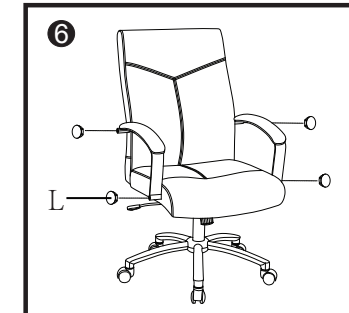
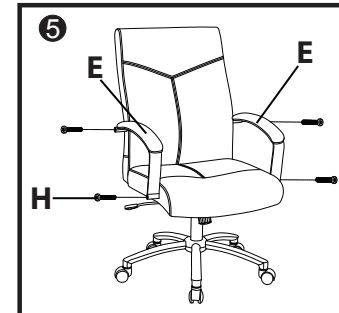
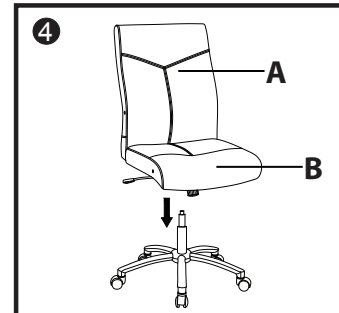
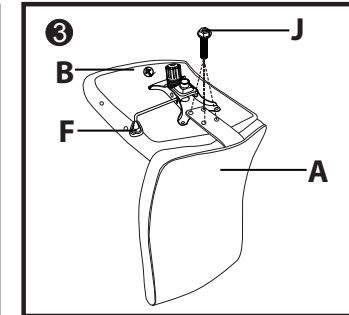
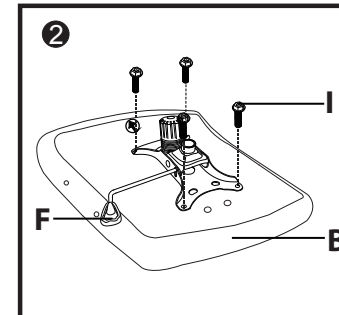
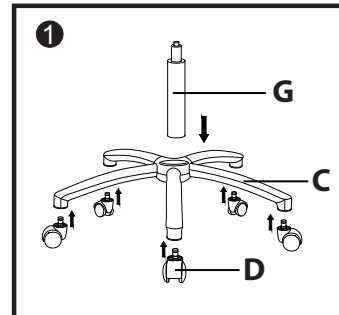
## Parts Listing



## Assembly Instructions

**Tools Needed:** Phillips Head Screwdriver  
Allen Wrench Supplied  
*Please read all instructions before assembly.*

- Step 1:** Insert Casters (D) into bottom of Chair Base (C). Insert Gas Lift (G) into center hole of Chair Base (C).
- Step 2:** Attach the Seat Mechanism (F) to Chair Seat (B) using Screws (I). Tighten with screwdriver.
- Step 3:** Attach Chair Back (A) to Chair Seat (B) by inserting Screws (J) through steel plate and into bottom of cushion.
- Step 4:** Attach assembled chair to Chair Base (C) by inserting top of Gas Lift (G) into the hole in the center of the Seat Mechanism (F). Press downly firmly on the Chair Seat (B) to secure.
- Step 5:** Attach Chair Arms (E) to Chair Back and Seat (A&B) by using 4 Screws (H). (Remark: Don't tighten screws until all the screws have been in right location).
- Step 6:** Then place 4 Arm Caps (L) into the arm holes once screws have been tightened.



**WEIGHT CAPACITY: 250 lbs.**

### Assembly Notes:

During assembly, hand tighten screw only. When all screws are in place, you may then tighten all screws completely.

### CAUTION:

1. Do not use this chair as a step ladder.
2. Check for loose screws and tighten them every 6 months.

**Essentials**  
By OFM Inc.  
Value furniture for your office

161 Tradition Trail  
Holly Springs, NC, 27540  
800-520-7471 (voice)  
919-303-6389 (voice)  
919-362-4765 (fax)  
www.ofmfurniture.com  
support@ofminc.com