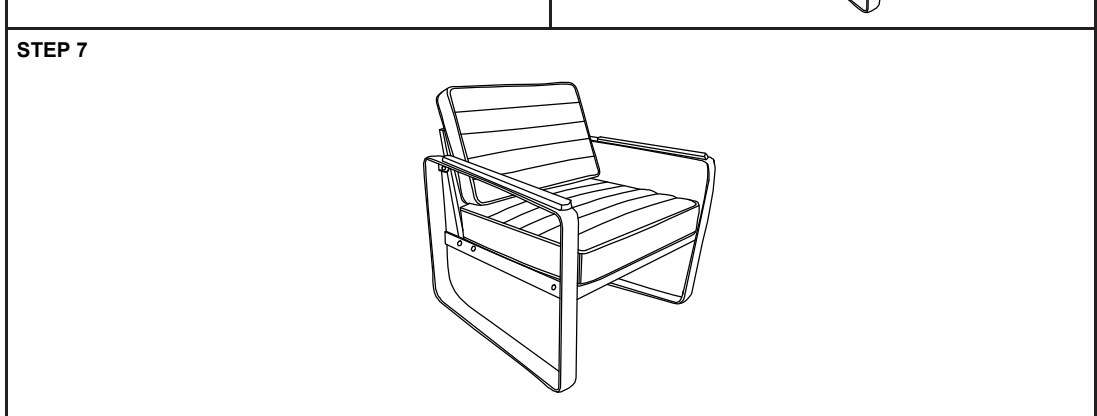
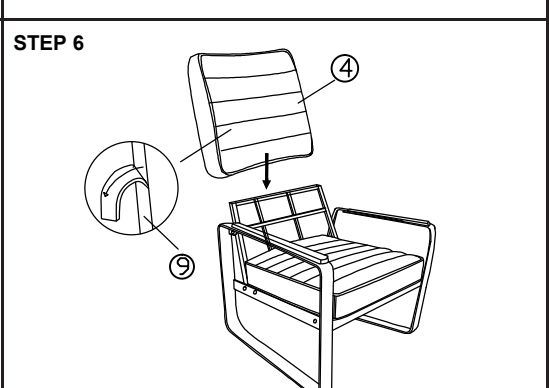
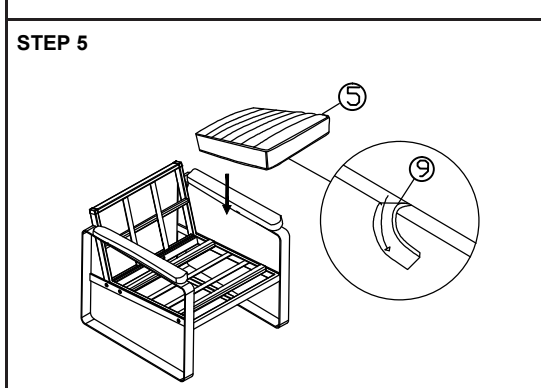
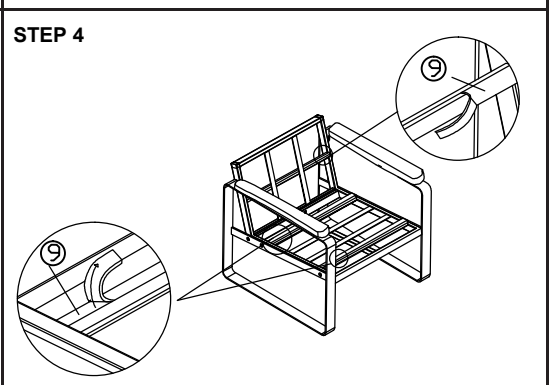
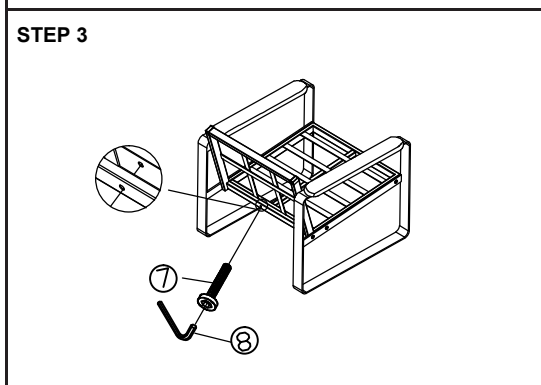
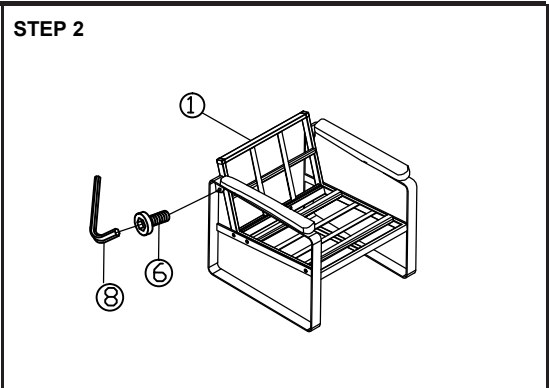
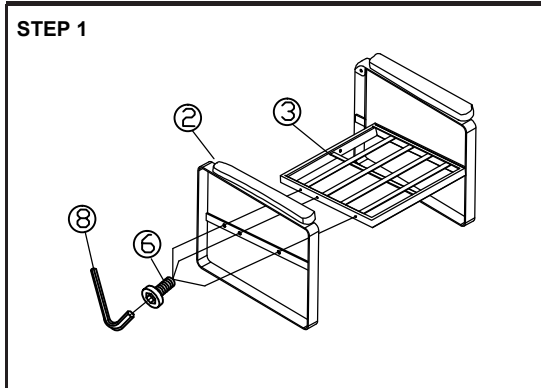
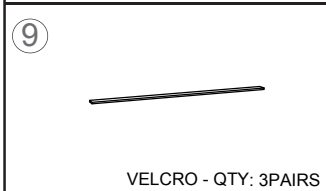
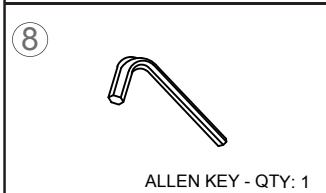
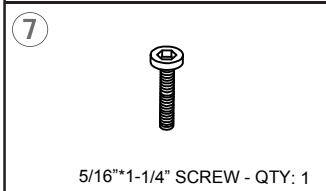
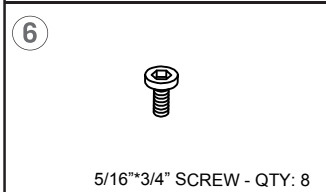
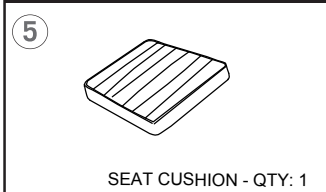
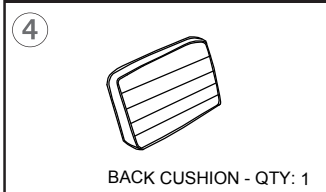
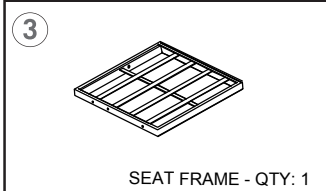
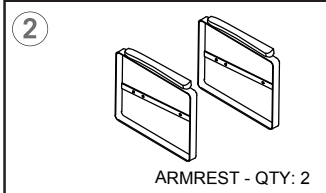
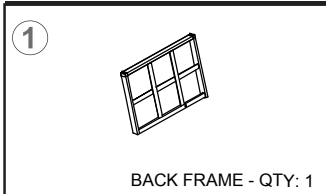


Congratulations on the purchase of your new *Signature Series* chair!

**PARTS** – remove all the parts from the carton and verify part quantities as indicated on this parts list.



**IMPORTANT:** This chair is to be used by one person at a time. Be sure all screws are securely tightened. Save the wrench and periodically tighten the screws. Do not lean the chair back on 2 legs or use the chair as a stepladder. Use this chair for its intended purpose only.

CUSTOMER SERVICE HOTLINE  
800-626-6060