

Congratulations on the purchase of your new *Signature Series* chair!

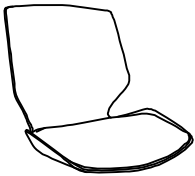
**PARTS** – remove all the parts from the carton and verify part quantities as indicated on this parts list.

①



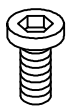
SUPPORT FRAME - QTY: 1

②



BACK&SEAT CUSHION - QTY: 1

③



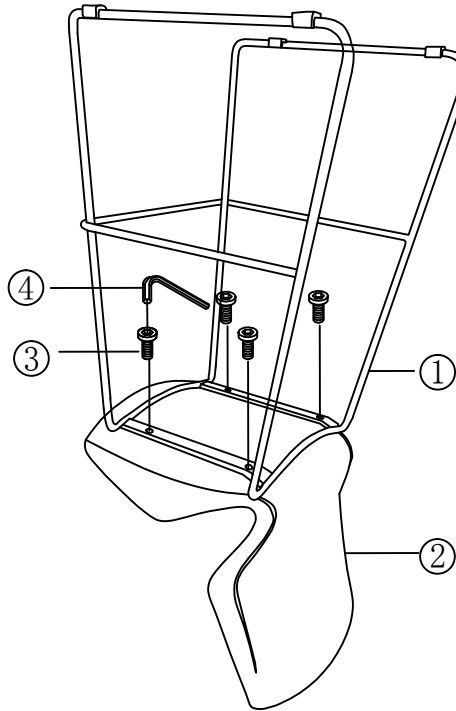
M6\*20 SCREW - QTY: 4

④

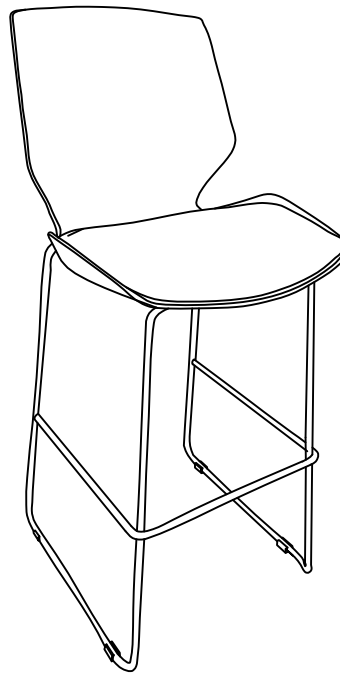


ALLEN KEY - QTY: 1

STEP 1



STEP 2



**IMPORTANT:** This chair is to be used by one person at a time. Be sure all screws are securely tightened. Save the wrench and periodically tighten the screws. Do not lean the chair back on 2 legs or use the chair as a stepladder. Use this chair for its intended purpose only.

CUSTOMER SERVICE HOTLINE  
800-626-6060