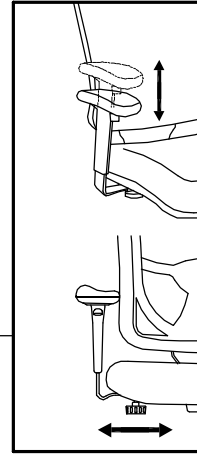
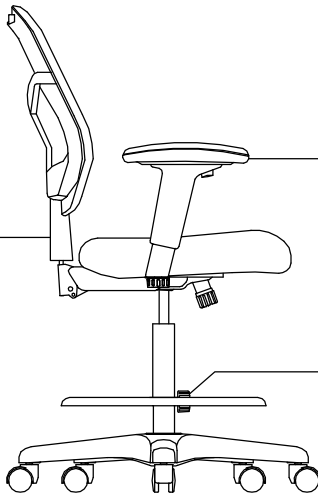
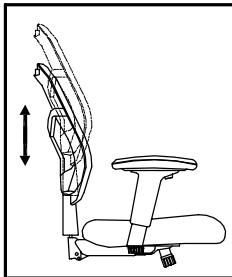


**ADJUSTMENTS**

**Ratchet Back Height Adjustment**

To raise the back, slowly lift the back up until you hear a series of 4 to 5 clicks. Each click represents a position where the back will lock into place. To lower the back, raise the back all the way up until tension is released - the back will then return to the lowest position without stopping. Raise back up to desired position.

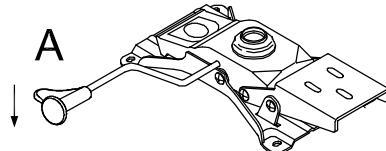
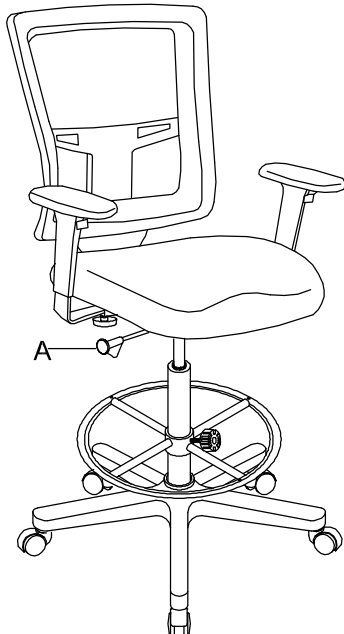


**ARM HEIGHT ADJUSTMENT**  
- Push the button under the arm pad and move the arm up or down. Release button to set the height.

**ARM WIDTH ADJUSTMENT**  
- Loosen the knob under the arm bracket and move the arm inward or outward. Tighten knob after reaching desired position.

**Footring adjustment**

To adjust footring height, loosen footring knob and raise or lower the footring to the desired height. Tighten knob to secure footring in desired position.



**MECHANISM INSTRUCTIONS :**

(A) **SEAT HEIGHT ADJUSTMENT :**  
Pull lever upward or downward. Release lever when desired position is reached.

**Warnings**

1. This product should be used by only one person at a time.
2. Do not use this chair unless all bolts, screws and knobs are securely tightened.
3. Dispose of packing material properly. Do not use the plastic cover as a head covering. It may cause suffocation.
4. Do not use the chair as a stepladder.
5. Use this chair for its intended purpose only.
6. Save Allen Wrench. Check and tighten all bolts, screws and knobs every 3-6 months; ensure they are fully tightened to ensure stability.

**CUSTOMER SERVICE HOTLINE**  
800-626-6060