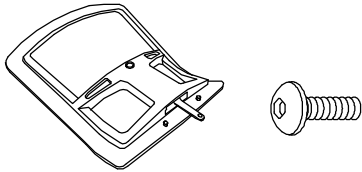
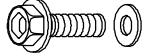


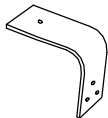
**PARTS**



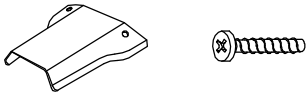
Back / QTY:1  
Back Post Screw(8x10mm) / QTY:1



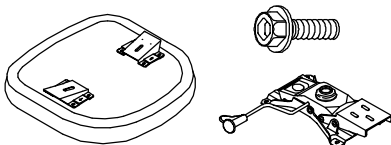
Backrest Bolt (8x10mm) + Washers :  
QTY / 3 SET



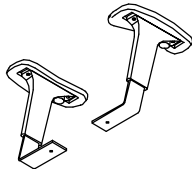
Backrest Post / QTY:1



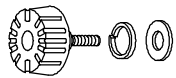
Back Post Cover / QTY:1  
Back Post Cover Screw (4x20mm) / QTY:2



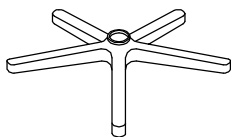
Mechanism Screw (6x24mm) / QTY:4  
Seat + Mechanism + Arm Bracket / QTY:1



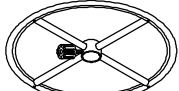
ARMRESTS / QTY: 2



Width Adjustment Knob + Washers  
QTY: 2 SETS



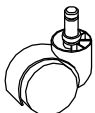
Base / QTY:1



Footring+Adj. Knob / QTY:1



Seat Lift / QTY:1



Casters / QTY: 5

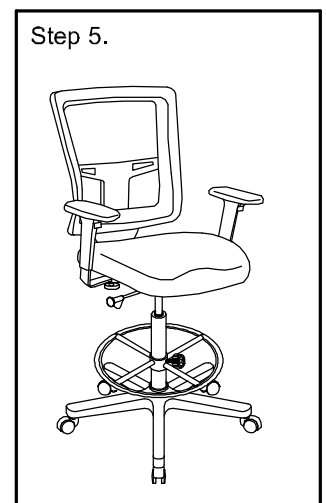
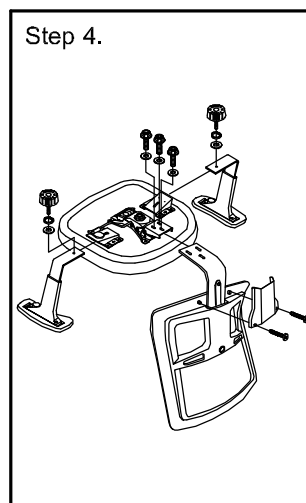
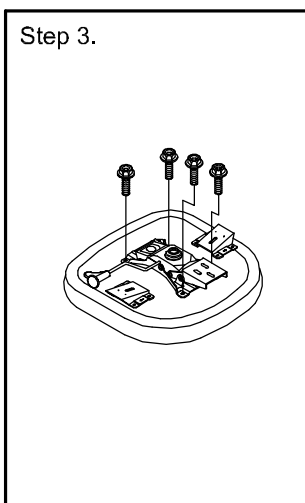
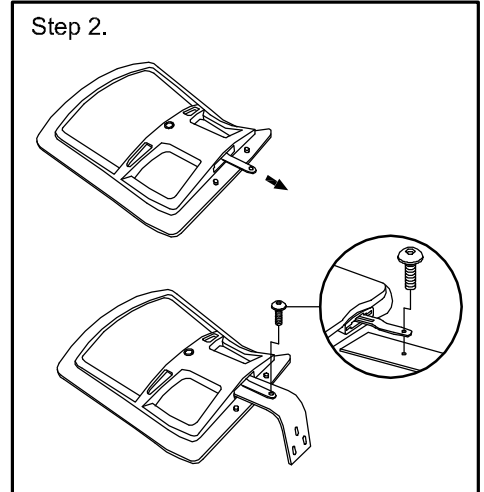
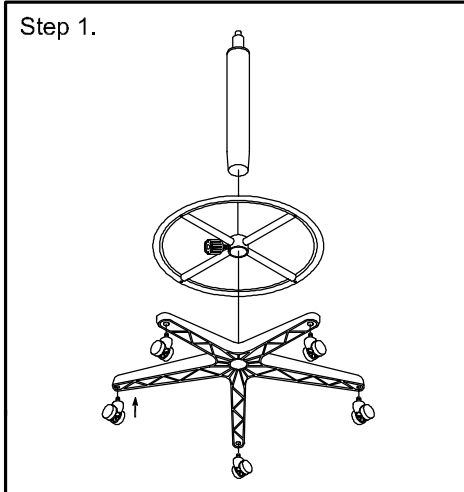
**Congratulations on the purchase of your new Signature Series chair!**

**INSTRUCTIONS**

**Remove all parts from carton and verify part quantities as indicated on parts lists.**

- Step 1. Insert the casters into the hole at the bottom of the five prong base. Insert the bottom end of the seat lift through footring then into center hole of the base.
- Step 2. Attach backrest post to back using one short backrest post screw.
- Step 3. Attach mechanism to seat using 4 mechanism screws.
- Step 4-1. Insert backrest post into rear of mechanism and secure using 3 long backrest bolt and 3 flat washers.
- Step 4-2. Attach backrest post cover using two backrest post cover screws.
- Step 4-3. Insert armrests into the bracket located at bottom of the seat. Insert the width adjustment knobs into the holes of brackets. Adjust the width of the armrest to your preference and tighten securely.
- Step 5. Place the chair body onto the small end of the seat lift.

**Attention: MAKE SURE ALL SCREWS ARE FULLY TIGHTENED BEFORE USING CHAIR.**



**CUSTOMER SERVICE HOTLINE  
800-626-6060**

**WWW.NBF.COM**

