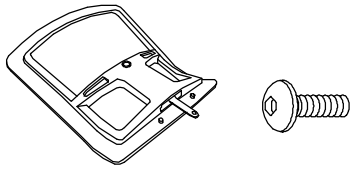
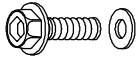


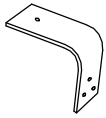
PARTS



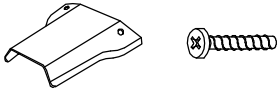
Back / QTY:1
Back Post Screw(8x10mm) / QTY:1



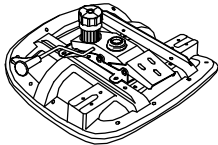
Backrest Bolt (8x20mm)+Washers
QTY : 3 SET



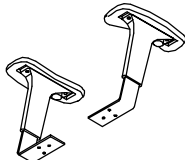
Backrest Post / QTY:1



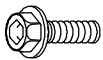
Back Post Cover / QTY:1
Back Post Cover Screw (4x20mm) / QTY:2



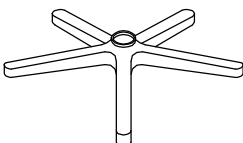
Seat + Mechanism / QTY:1



Armrests / QTY: 2



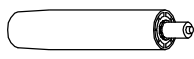
Armrests Screw (6x24mm) / QTY: 6



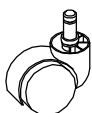
Base / QTY:1



Seat Post Cover / QTY:1



Seat Lift / QTY:1



Casters / QTY: 5

Congratulations on the purchase of your new Signature Series chair!

INSTRUCTIONS

Remove all parts from carton and verify part quantities as indicated on parts lists.

Step 1. Insert the casters into the hole at the bottom of the five prong base. Insert the bottom end of the seat lift into center hole of the base. Slide seat post cover over seat lift.

Step 2. Attach backrest post to back using one short backrest post screw.

Step 3-1. Insert backrest post into rear of mechanism and secure using 3 long backrest bolts and 3 flat washers.

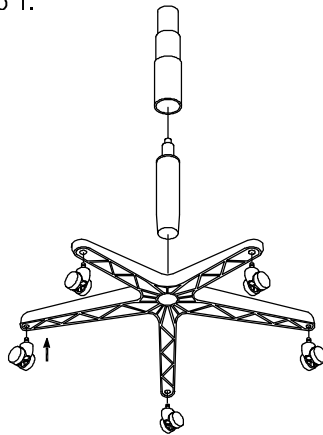
Step 3-2. Attach backrest post cover using two backrest post cover screws.

Step 3-3. Insert armrests into the bracket located at bottom of the seat and secure using 3 armrest screws.

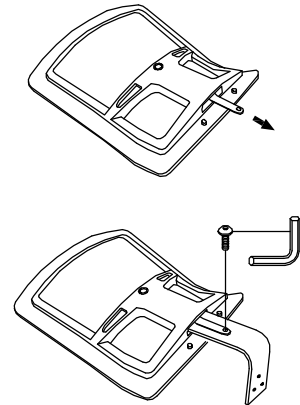
Step 4. Place the chair body onto the small end of the seat lift.

Attention: MAKE SURE ALL SCREWS ARE FULLY TIGHTENED BEFORE USING CHAIR.

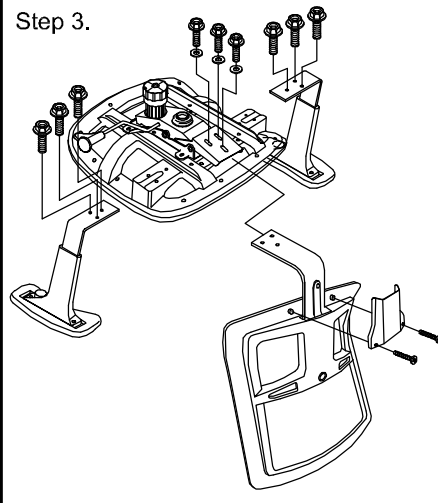
Step 1.



Step 2.



Step 3.



CUSTOMER SERVICE HOTLINE
800-626-6060

WWW.NBF.COM



ALLEN WRENCH SPARE PART
(SAVE FOR FUTURE TIGHTENING)