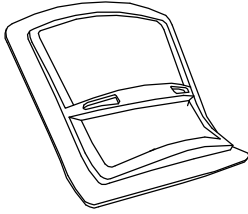
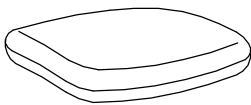


Congratulations on the purchase of your new Signature Series chair!

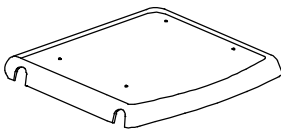
**PARTS**



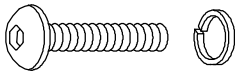
Backrest / QTY:1



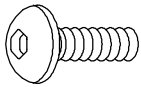
Seat QTY:1



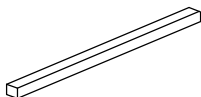
Seat Cover QTY:1



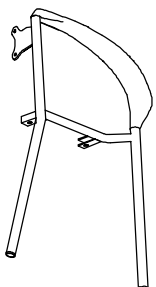
Seat Screw + Washer / QTY: 4



Backrest Screw / QTY: 4



Steel Cross Bar / QTY:2



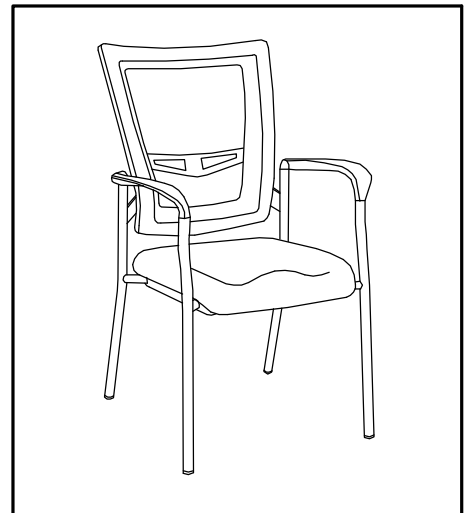
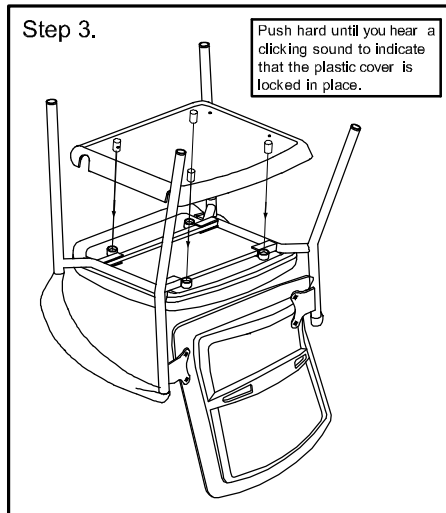
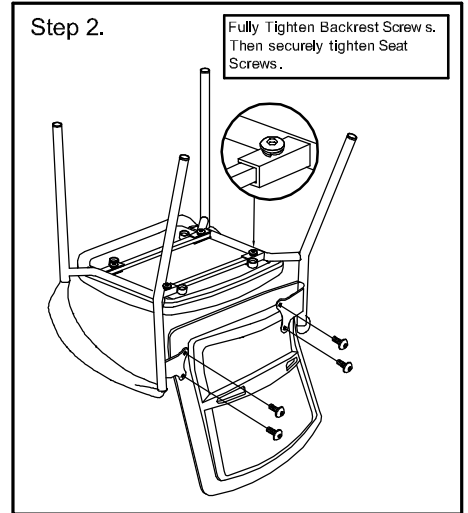
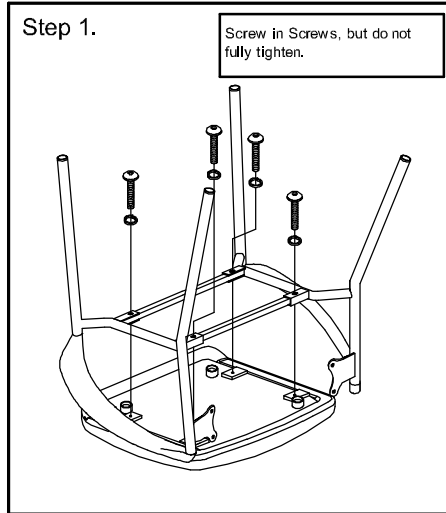
Arm / Leg Frame / QTY:2

**INSTRUCTIONS**

Remove all parts from carton and verify part quantities as indicated on parts lists.

- Step 1. Attach both Cross Bars between Leg Frames. Secure Leg Frames and Cross Bars to Seat using 4 Long Screws w/Washers
- Step 2. Secure Backrest to Leg Frames using 4 Short Screws.  
**FULLY TIGHTEN ALL SCREWS USING ALLEN WRENCH.**
- Step 3. Attach Plastic Cover to bottom of Seat.

**Attention: MAKE SURE ALL SCREWS ARE FULLY TIGHTENED BEFORE USING CHAIR.**



**Warnings**

1. This product should be used by only one person at a time.
2. Do not use this chair unless all bolts, screws and knobs are securely tightened.
3. Dispose of packing material properly. Do not use the plastic cover as a head covering. It may cause suffocation.
4. Do not use the chair as a stepladder.
5. Use this chair for its intended purpose only.
6. Save Allen Wrench. Check and tighten all bolts, screws and knobs every 3-6 months; ensure they are fully tightened to ensure stability.

**CUSTOMER SERVICE HOTLINE**

800-626-6060

WWW.NBF.COM

