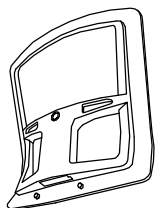
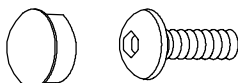


Congratulations on the purchase of your new Signature Series chair!

PARTS



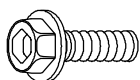
Backrest / QTY:1



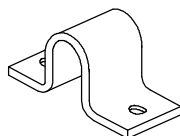
Backrest Screw / QTY: 1
Outer Bushing / QTY: 1



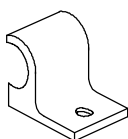
Seat QTY:1



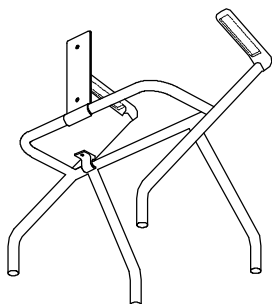
Seat Screw QTY: 4



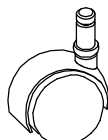
Steel Holder / QTY: 2



Plastic Holder / QTY:4



Base Frame / QTY:1



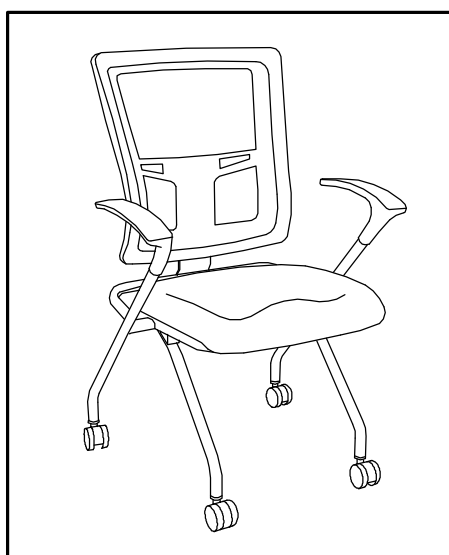
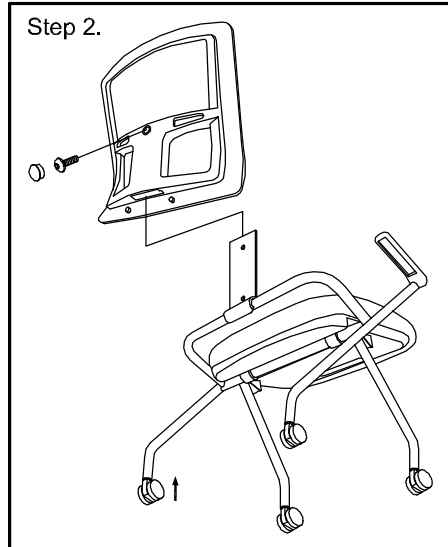
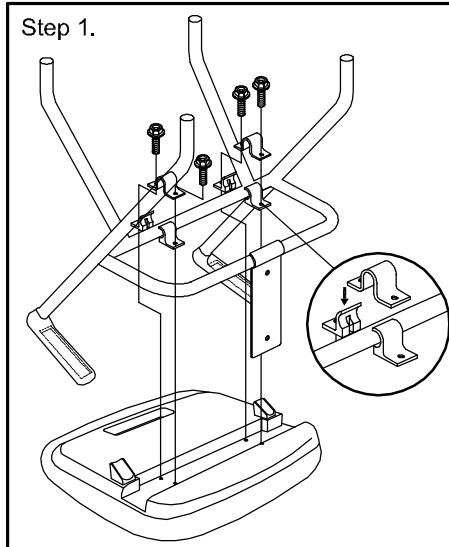
Caster / QTY:4

INSTRUCTIONS

Remove all parts from carton and verify part quantities as indicated on parts lists.

- Step 1. Use plastic holder to attach and secure base frame to seat cushion using two steel holders and four screws.
- Step 2. Insert back onto base frame and secure using backrest screw. Cover screw with outer bushing.
- Step 3. Insert four casters into base frame, push hard until you feel or hear the caster snap into place.

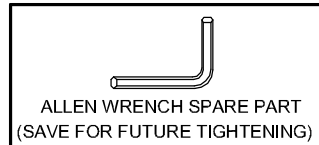
Attention: MAKE SURE ALL SCREWS ARE FULLY TIGHTENED BEFORE USING CHAIR.



Warnings

1. This product should be used by only one person at a time.
2. Do not use this chair unless all bolts, screws and knobs are securely tightened.
3. Dispose of packing material properly. Do not use the plastic cover as a head covering. It may cause suffocation.
4. Do not use the chair as a stepladder.
5. Use this chair for its intended purpose only.
6. Save Allen Wrench. Check and tighten all bolts, screws and knobs every 3-6 months; ensure they are fully tightened to ensure stability.

CUSTOMER SERVICE HOTLINE
800-626-6060



WWW.NBF.COM