



Leaders in Reception Seating

Lesro Industries, Inc.
1 Griffin Road South
Bloomfield, CT
06002

Phone
860.243.3226
Fax
860.243.5392
www.lesro.com

Assembly Instructions

For Newport / Amherst Bariatric Chairs and Loveseats

Tools required: Rubber mallet.

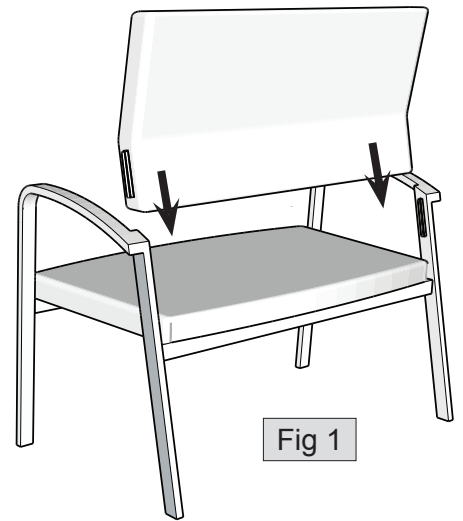
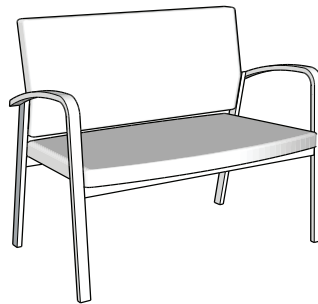
Note: These instructions are intended for various models and configurations. Your products may not look exactly as those shown in the diagrams.

Recommendation: Retighten all bolts on a seasonal basis to ensure your product remains strong and stable for many years of use.

Weight Capacity: All bariatric chairs in this series have a weight capacity of **750 lbs.**, and loveseats **550 lbs.**, unless otherwise stated.

Parts List

Leg Frame Assembly
Back Cushion



1. Unpack and identify all parts.
2. The leg frames come fully assembled with the seat cushion already attached. The only thing left is to attach the back cushion to the frame.
3. The back cushion will be held in place by **interlocking wedge hardware**, as shown in figure 2.
4. With the chair upright on a level surface, attach the back cushion to the leg frames by aligning the interlocking wedges on each side and sliding them together simultaneously, as shown in figure 1. Use care that the wedges on both sides are properly aligned and connected simultaneously. Do not attempt to insert one side ahead of the other. Use your hands to apply downward pressure to the back cushion. You should feel the wedges slide together and tighten.
5. Use your fist or palm of your hand to gently pound the back cushion down until the interlocking wedges are "locked" together. You may find that a rubber mallet is helpful for this step, but be sure to protect the fabric with a towel, clean cardboard, or other such material. A standard hammer is not recommended. **Important: Wedges are correctly "locked" when the inner wedge comes into contact with the top flap of the outer wedge, and the bottom edges align, as shown in figure 3. Avoid excessive force or damage to the wedges may occur.**
6. Your product is now assembled and ready to use.

Wedge Hardware slides together

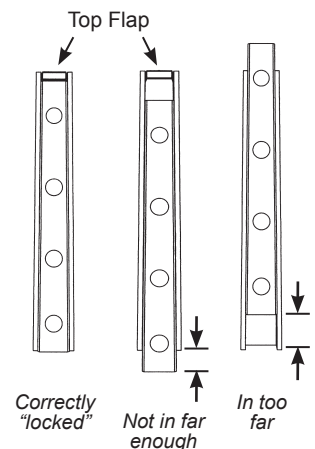
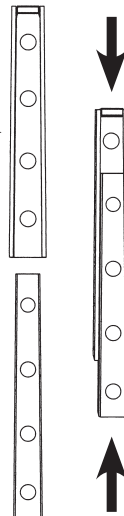


Fig 2

Fig 3

Thank you for purchasing a Lesro product.
Need assistance with assembly? Call Lesro customer service 1-800-275-7545.
Visit us online at www.lesro.com