


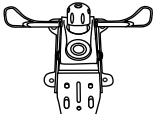







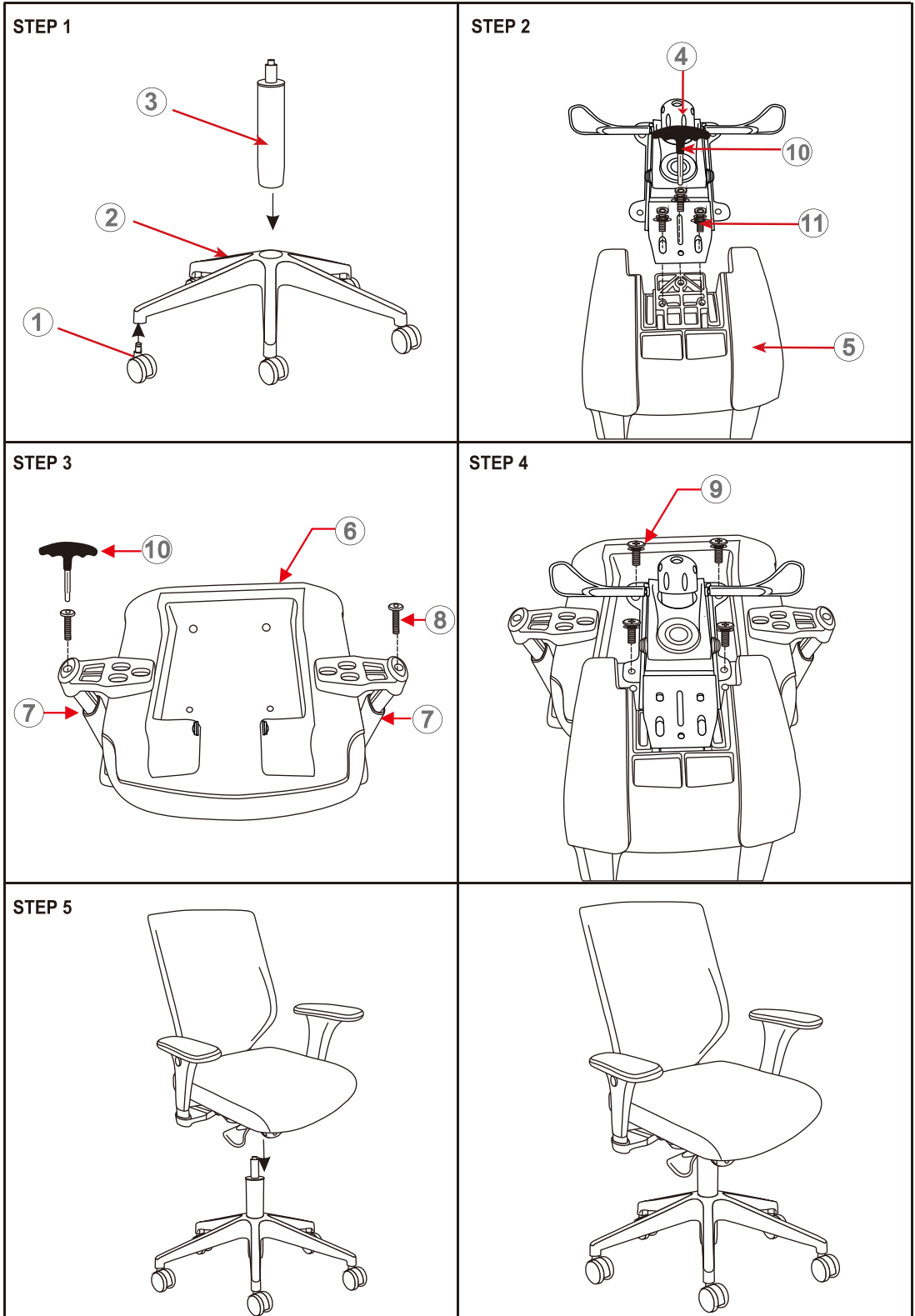


Congratulations on the purchase of your new *Signature Series* chair!

PARTS – remove all the parts from the carton and verify part quantities as indicated on this parts list.

1		CASTOR QTY: 5
2		5-STAR BASE QTY: 1
3		GAS LIFT QTY: 1
4		MECHANISM QTY: 1
5		BACK CUSHION QTY: 1
6		SEAT CUSHION QTY: 1
7		ARMS QTY: 2
8		M8x25 " SCREW QTY: 2
9		7/8 " SCREW QTY: 4
10		Allen Wrench QTY: 1
11		5/16 x 7/8 " SCREW QTY: 3



IMPORTANT: This chair is to be used by one person at a time. Be sure all screws are securely tightened. Save the wrench and periodically tighten the screws. Do not lean the chair back on 2 wheels or use the chair as a stepladder. Use this chair for its intended purpose only.