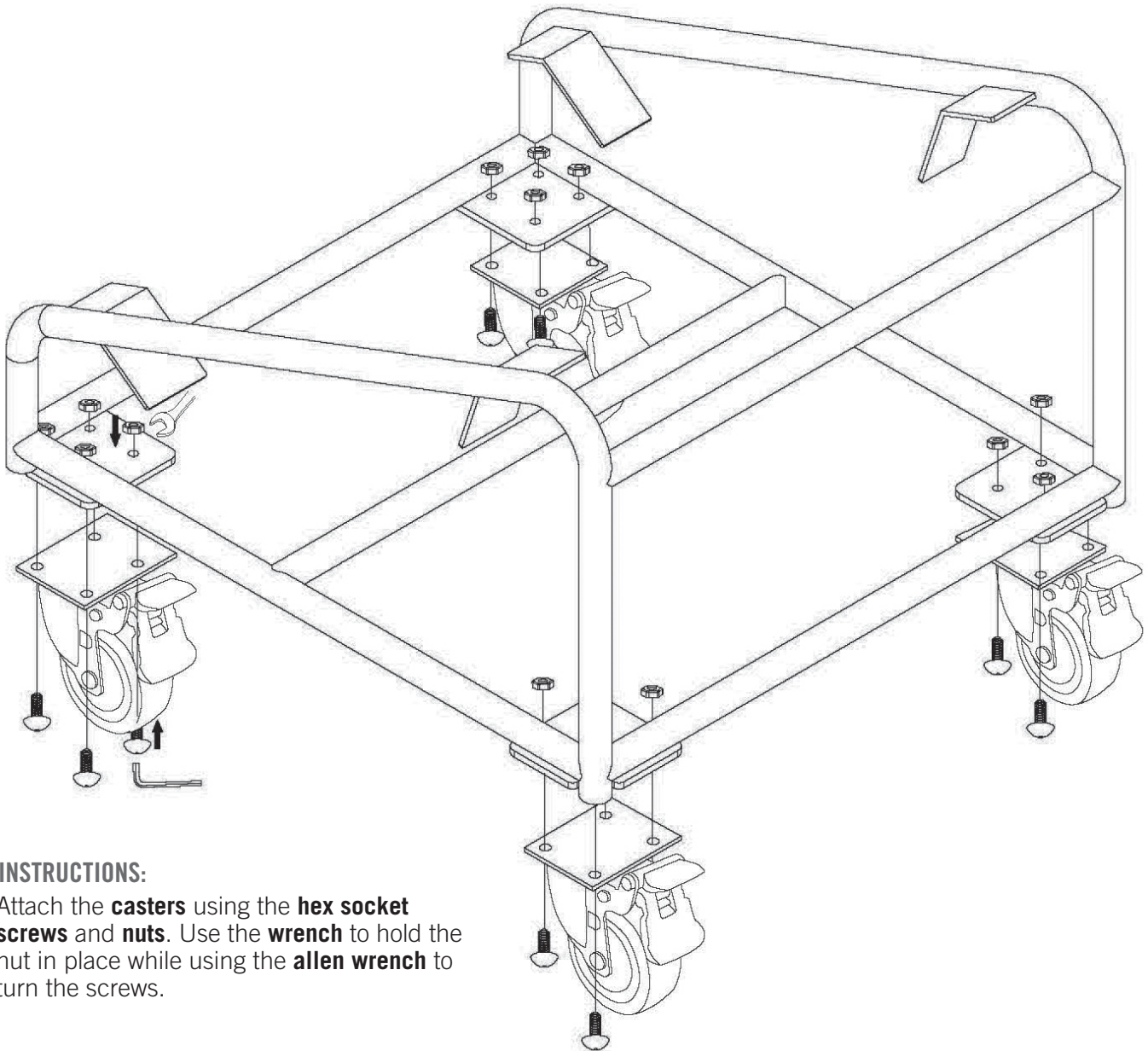


Congratulations on the purchase of your new **OFFICIENT** product!

 <p><b>LOCKING CASTERS</b> QTY: 4</p>	 <p><b>WRENCH</b> QTY: 1</p>	 <p><b>M8 x 17mm HEX SOCKET SCREWS</b> QTY: 16</p>	 <p><b>ALLEN WRENCH</b> QTY: 1</p>	 <p><b>M8 x 12(W) x 6mm(H) NUTS</b> QTY: 16</p>
--	---	---	--	--



**INSTRUCTIONS:**

Attach the **casters** using the **hex socket screws** and **nuts**. Use the **wrench** to hold the nut in place while using the **allen wrench** to turn the screws.

**GENERAL MAINTENANCE: KEEP THE TOOLS AND PERIODICALLY TIGHTEN THE SCREWS.**