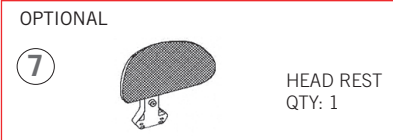
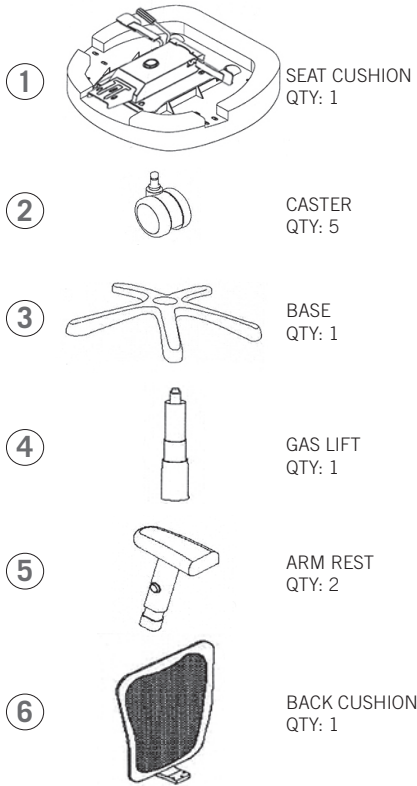
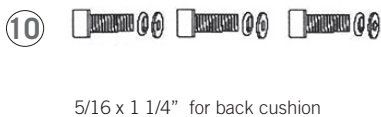
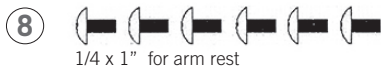


Congratulations on the purchase of your new *Signature Series* chair!

PARTS



BOLTS & WASHERS



INSTRUCTIONS

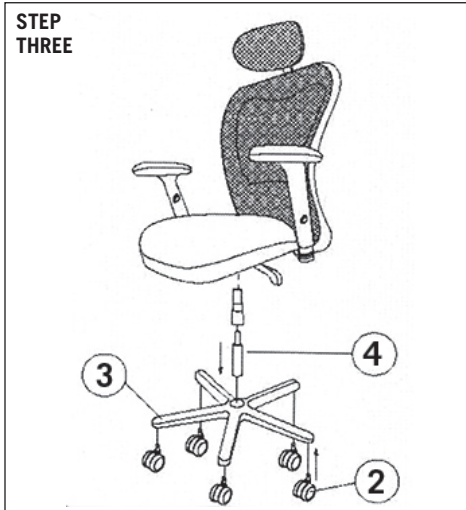
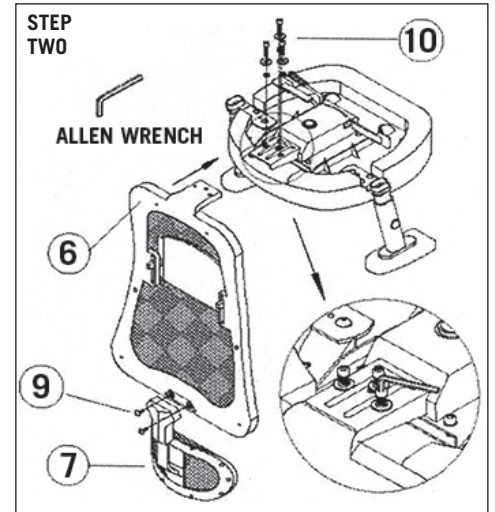
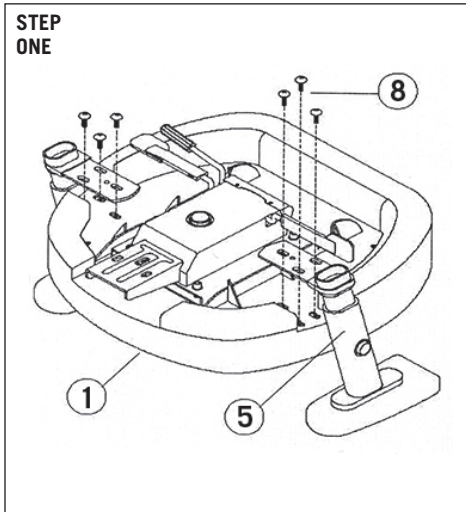
Remove all the parts from the carton and verify part quantities as indicated on the parts list.

STEP ONE With seat cushion ① upside down, attach the arm rests ⑤ to the seat cushion with bolts ⑧.

STEP TWO Attach the back cushion ⑥ to the seat cushion mechanism with bolts and washers ⑩. If optional head rest was ordered, attach ⑦ to the back cushion with bolts ⑨.

STEP THREE Insert the casters ② to the aluminum base ③. Insert the gas lift ④ to the aluminum base. Place the whole set with the mechanism on the top of the gas lift.

Attention: MAKE SURE ALL THE SCREWS ARE FULLY TIGHTENED BEFORE USING THE CHAIR.



WARNINGS:

1. This product should be used by only one person at a time.
2. Do not use this chair unless all bolts, screws, and knobs are securely tightened.
3. **Save ALLEN WRENCH.** Check that all bolts, screws and knobs are tight every three months or as needed.
4. Dispose of packing material properly. Do not use the plastic cover as a head covering. It may cause suffocation.
5. Do not use the chair as a stepladder.
6. Use this chair for its intended purpose only.
7. Use a soft cloth to clean the chair. Do not use water or chemicals on the aluminum parts.

WWW.NBF.COM

CUSTOMER SERVICE HOTLINE
800-626-6060