

Congratulations on the purchase of your new *Efficient* chair!

PARTS

PART	DESCRIPTION	QTY
1	Seat Cushion	1
2A	Left metal Frame	1
2B	Right metal Frame	1
3	Back Cushion	1
4	1" Screws	8
5	Plastic Caps	4
6	Hexagonal Wrench	1

INSTRUCTIONS

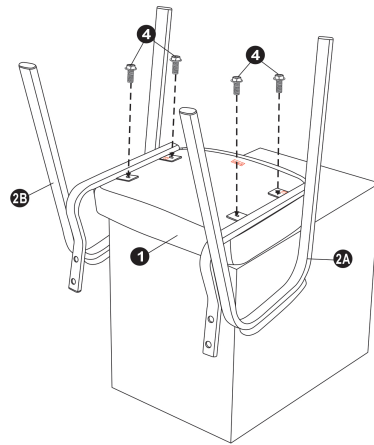


Diagram 1

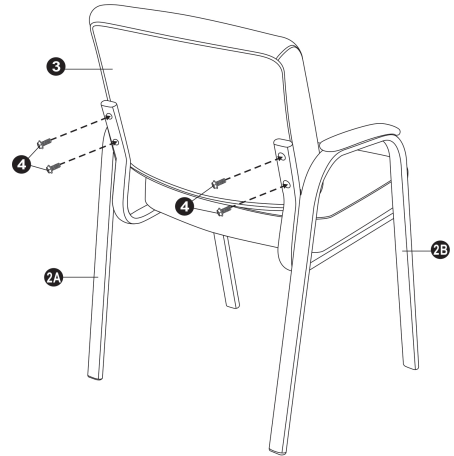


Diagram 2

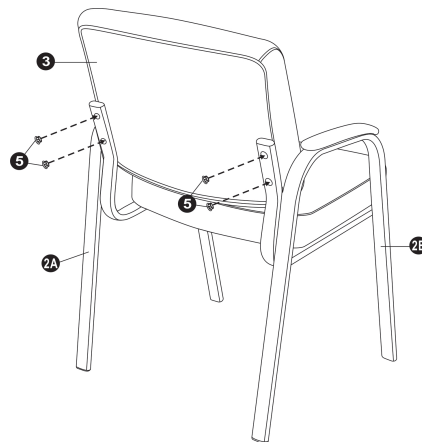


Diagram 3

INSTRUCTIONS

- Remove all parts from the carton and separate them into part number groups as indicated in the parts list.
- Place the seat cushion (1) on top of a box prior to assembly. Align two metal frames (2A & 2B) over predrilled holes on the underside of seat cushion (1) with the FRONT label on the metal plates matching the FRONT label on the bottom of the seat cushion (1) by using 1" screws (4). **Do not tighten screws completely.**
- Attach back cushion (3) to the metal frames (2A & 2B) by using 1" screws (4). **Do not tighten screws completely.**
- Adjust the chair so the seat and back cushions are aligned and the frame is sitting flat on the floor.
- Now tighten all of the screws completely.**
- Place the plastic caps (5) into metal frame holes on the back cushion (3) as shown in diagram 3.
- Periodically (every 90 days) make sure that the screws are still fully tightened.

ATTENTION:

Make certain to fully tighten all screws before using chair.

WE SUGGEST TAPING THE WRENCH UNDER THE SEAT FOR FUTURE USE.