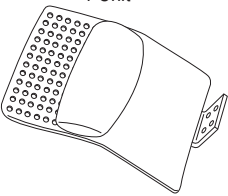


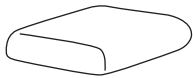
Model 650 / 651 "Airflo" Series Executive Chair

Parts Listing

A
Chair Back
1 Unit



B
Chair Seat
1 Unit



C
Chair Base
1 Unit



D
Casters
5 Units



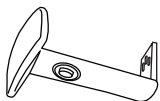
E
Gas Lift
1 Unit



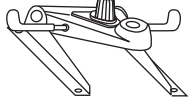
F
Telescopic Bellows
1 Unit



G
Chair Arms
2 Units



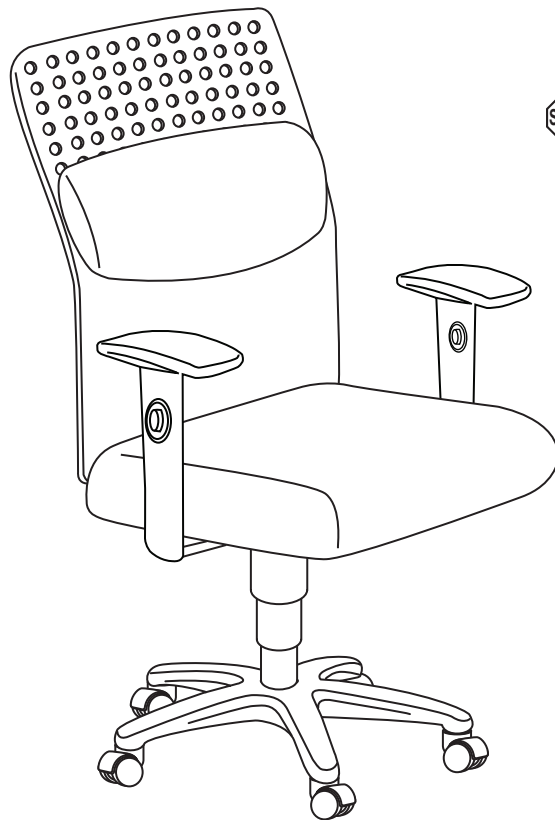
H
Seat Mechanism
1 Unit



I
Washer
8 Units



J
6mm Screw
14 Units

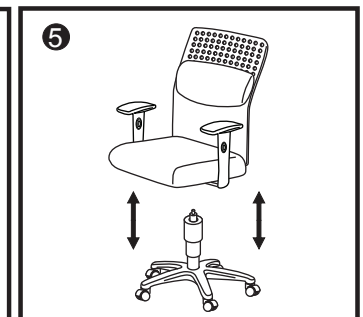
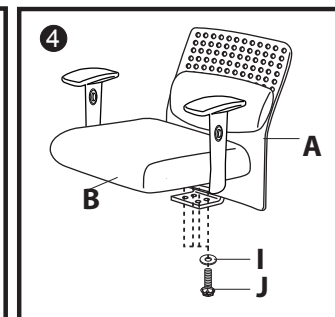
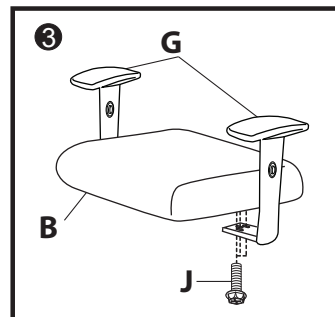
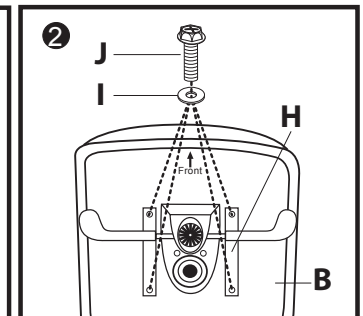
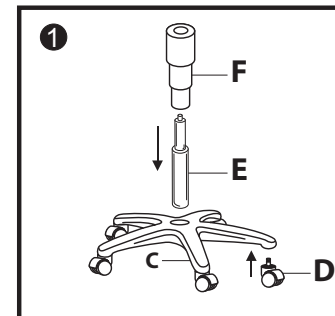


Assembly Instructions



Tools Needed: Phillips Head Screwdriver
Please read all instructions before assembly.

- Step 1:** Insert Casters (D) into Chair Base (C). Insert Gas Lift (E) into hole in Chair Base (C) and cover with Telescopic Bellows (F).
- Step 2:** Attach Seat Mechanism (H) to the bottom of Chair Seat (B) using 6mm Screws (J) and Washers (I). Tighten with screwdriver.
- Step 3:** Attach Chair Arms (G) to the bottom of Chair Seat (B) using 6mm Screws (J). Refer to "R" or "L" on bottom of Arm for placement.
- Step 4:** Attach Chair Back (A) to Chair Seat (B) using 6mm Screws (J) and Washers (I).
- Step 5:** Place chair body onto Chair Base (C) by inserting top of Gas Lift (E) into hole in the center of Seat Mechanism (H). Press down firmly on Chair Seat (B) to secure onto Chair Base (C).



WEIGHT CAPACITY: 250 lbs.

Assembly Notes:

During assembly, hand tighten screw only. When all screws are in place, you may then tighten all screws completely.

CAUTION:

1. Do not use this chair as a step ladder.
2. Check for loose screws and tighten them every 6 months.

ofm
Furniture For The Real Office™

161 Tradition Trail, Holly Springs, NC, 27540
800-520-7471 (voice) 919-362-4765 (fax)
919-303-6389 (voice) www.ofminc.com
support@ofminc.com