
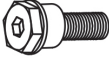


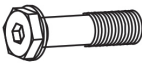

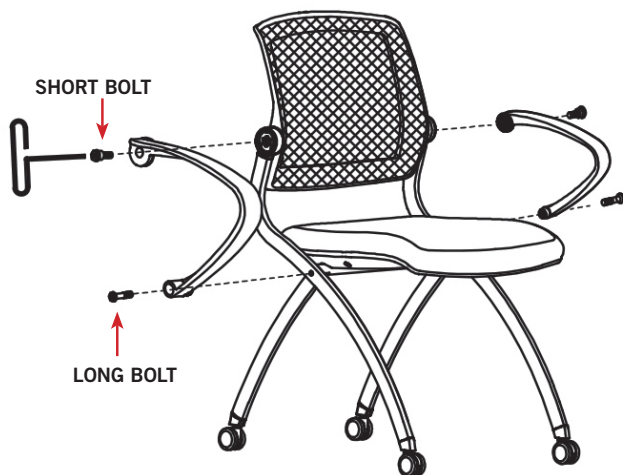


Congratulations on the purchase of your new *Signature Series* chairs!

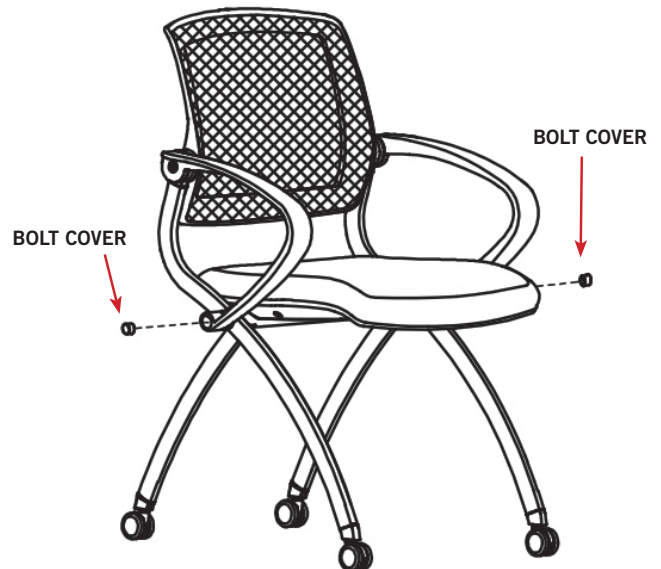
**PARTS** – remove all the parts from the carton and verify part quantities as indicated on this parts list.

<p>①</p>  <p>CHAIR BODY QTY: 1</p>	<p>④</p>  <p>SHORT BOLTS QTY: 4 (2 per chair)</p>
<p>②</p>  <p>SET OF RIGHT AND LEFT ARMS</p>	<p>⑤</p>  <p>ALLEN WRENCH QTY: 1</p>
<p>③</p>  <p>LONG BOLTS QTY: 4 (2 per chair)</p>	<p>⑥</p>  <p>BOLT COVERS QTY: 4 (2 per chair)</p>

**STEP 1** Fasten the **RIGHT AND LEFT ARMS** ② to the **CHAIR BODY** ① using the **ALLEN WRENCH** ⑤ and both **LONG** ③ and **SHORT** ④ **BOLTS**. (short bolts at the top, long bolts at the bottom).



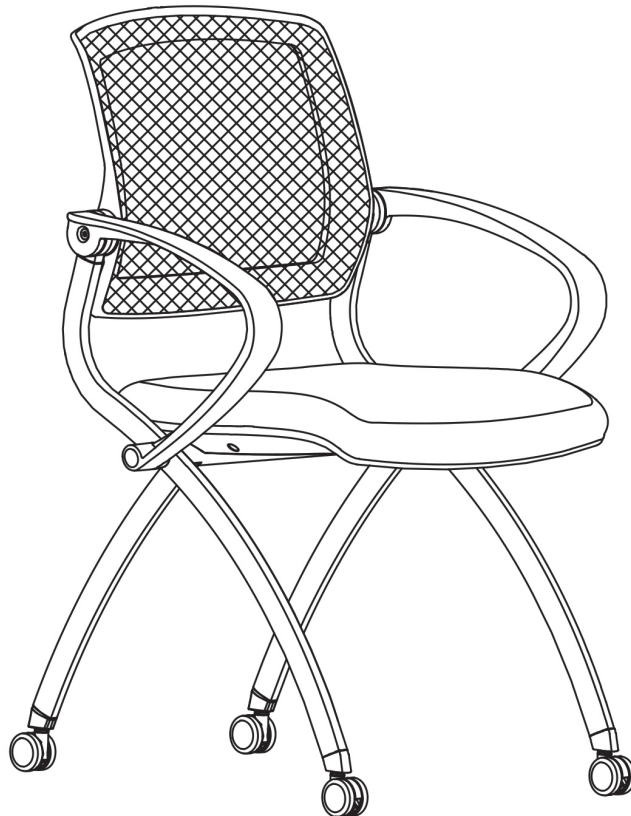
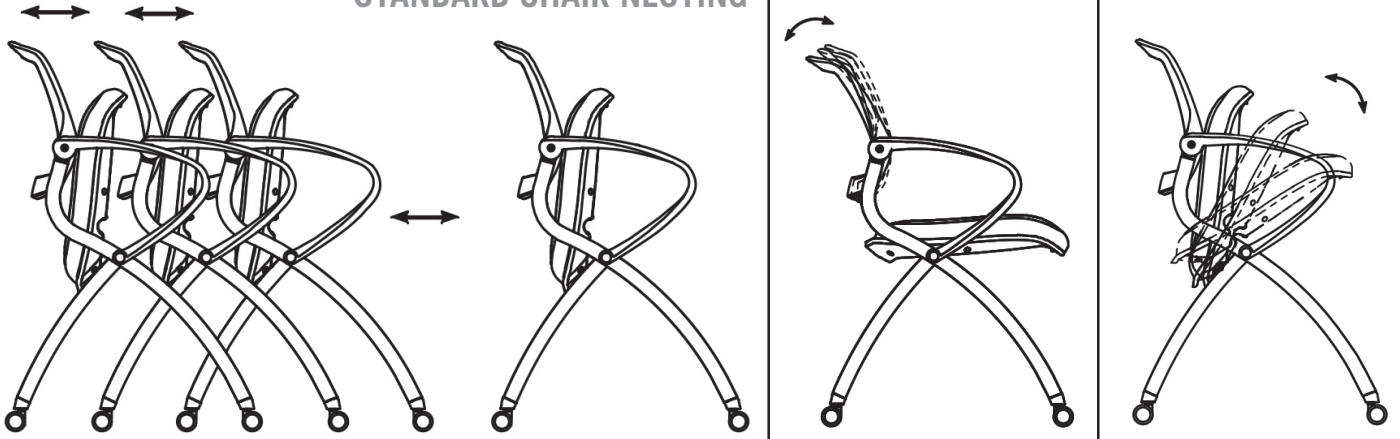
**STEP 2** Once all bolts are tight, insert **BOLT COVERS** ⑥ over the bottom bolts in the arms.



**TIP:** Do not tighten bolts one at a time. Instead, tighten each a little, alternating a few turns at a time until all are tight..

CUSTOMER SERVICE HOTLINE  
800-626-6060

STANDARD CHAIR NESTING



CUSTOMER SERVICE HOTLINE  
800-626-6060