

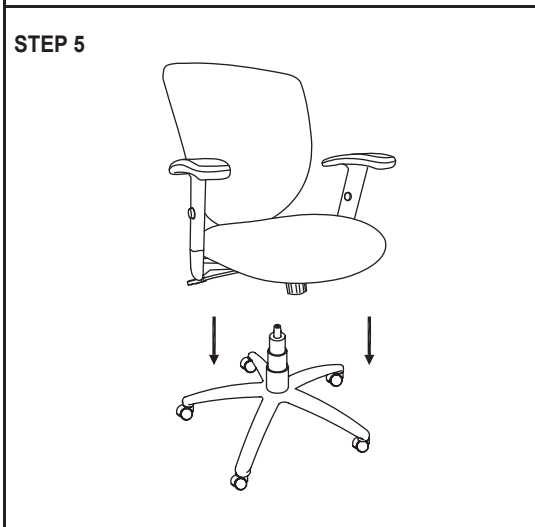
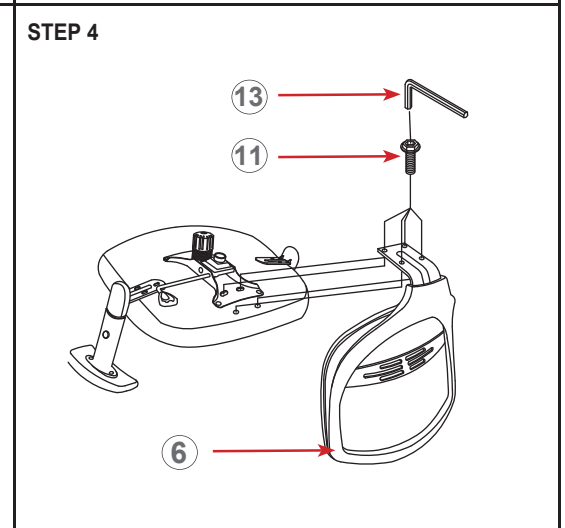
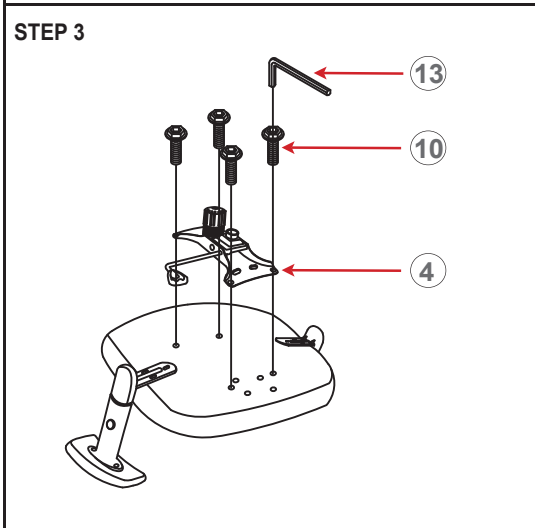
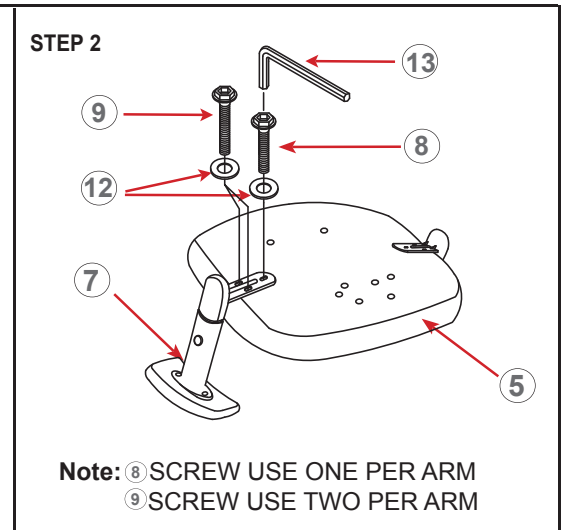
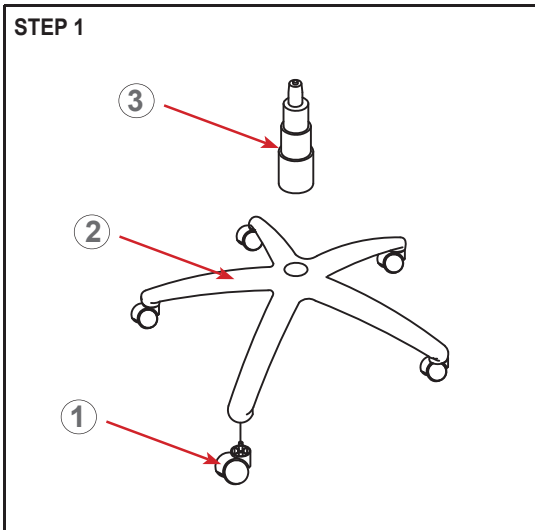
# NETWORK COLLECTION TASK CHAIR ASSEMBLY INSTRUCTIONS



**Congratulations on the purchase of your new *Efficient* chair!**

**PARTS** – remove all the parts from the carton and verify part quantities as indicated on this parts list.

①		<b>CASTOR – QTY: 5</b>
②		<b>5-STAR BASE– QTY: 1</b>
③		<b>GAS LIFT– QTY: 1</b>
④		<b>MECHANISM – QTY: 1</b>
⑤		<b>SEAT CUSHION – QTY: 1</b>
⑥		<b>BACK CUSHION – QTY: 1</b>
⑦		<b>ARMS – QTY: 2</b>
⑧		<b>1-1/2" SCREW – QTY: 2</b>
⑨		<b>1-3/4" SCREW – QTY: 4</b>
⑩		<b>1" SCREW – QTY: 4</b>
⑪		<b>1-1/4" SCREW – QTY: 4</b>
⑫		<b>WASHER – QTY: 6</b>
⑬		<b>ALLEN KEY – QTY: 1</b>



**IMPORTANT:** This chair is to be used by one person at a time. Be sure all screws are securely tightened. Save the wrench and periodically tighten the screws. Do not lean the chair back on 2 wheels or use the chair as a stepladder. Use this chair for its intended purpose only.