
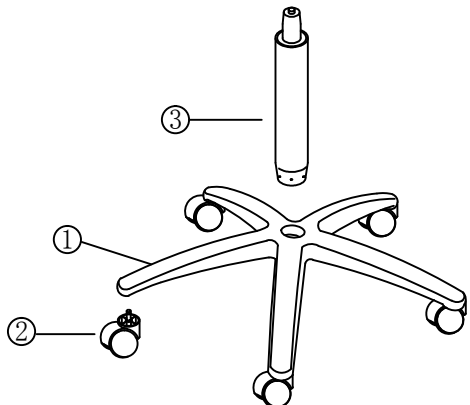
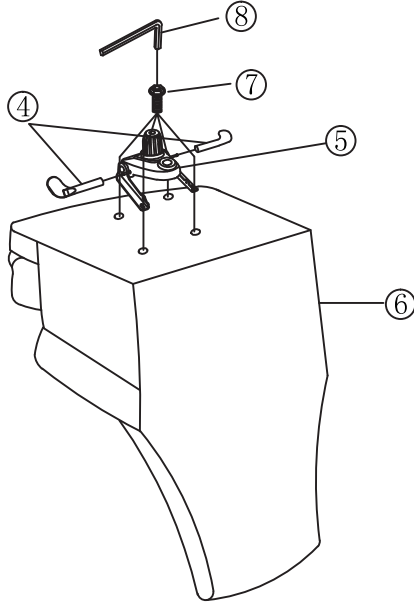

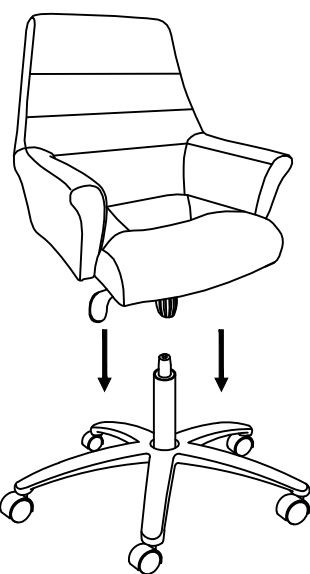
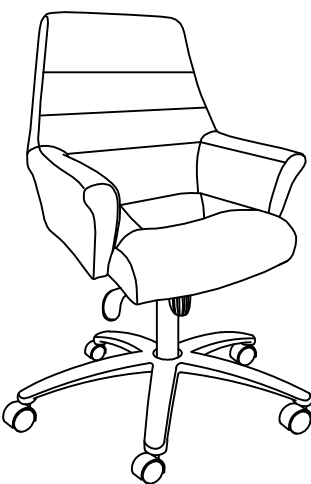
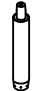




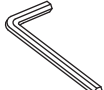


Congratulations on the purchase of your new *Signature Series* chair!

PARTS – remove all the parts from the carton and verify part quantities as indicated on this parts list.

<p>①</p>  <p>5-STAR BASE— QTY: 1</p>	<p>STEP 1</p> 	<p>STEP 2</p> 
<p>②</p>  <p>CASTOR – QTY: 5</p>	<p>STEP 3</p> 	<p>STEP 4</p> 
<p>③</p>  <p>GAS LIFT— QTY: 1</p>	<p>IMPORTANT: This chair is to be used by one person at a time. Be sure all screws are securely tightened. Save the wrench and periodically tighten the screws. Do not lean the chair back on 2 wheels or use the chair as a stepladder. Use this chair for its intended purpose only.</p> <p>CUSTOMER SERVICE HOTLINE 800-626-6060</p>	
<p>④</p>  <p>MECHANISM HANDLES – QTY: 2</p>	<p>11492-021,J,K</p>	
<p>⑤</p>  <p>MECHANISM – QTY: 1</p>		
<p>⑥</p>  <p>CUSHION— QTY: 1</p>		
<p>⑦</p>  <p>5/16x7/8" SCREW – QTY: 4</p>		
<p>⑧</p>  <p>ALLEN KEY – QTY: 1</p>		