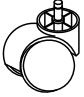
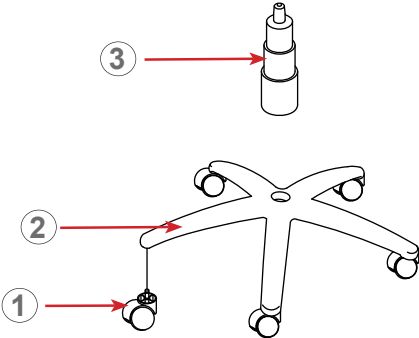
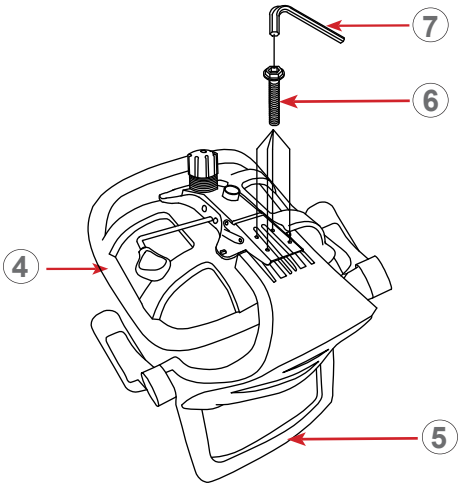

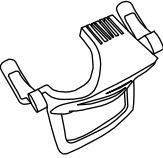
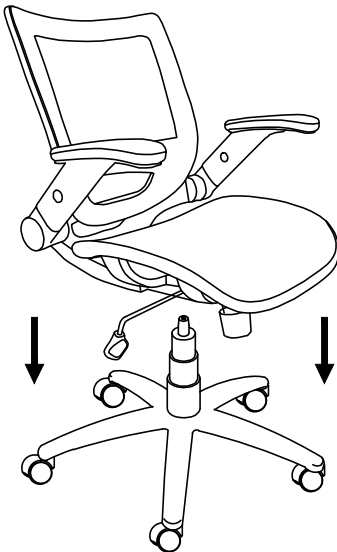
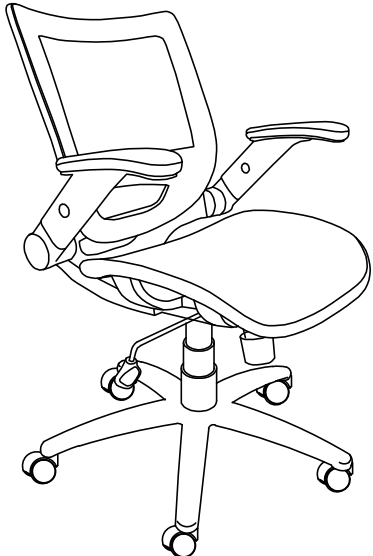



ALL-MESH OFFICE CHAIR ASSEMBLY INSTRUCTIONS

PARTS – remove all the parts from the carton and verify part quantities as indicated on this parts list.

<p>①</p>  <p>CASTOR – QTY: 5</p>	<p>STEP 1</p> 	<p>STEP 2</p> 
<p>②</p>  <p>5-STAR BASE – QTY: 1</p>		
<p>⑤</p>  <p>BACK CUSHION – QTY: 1</p>	<p>STEP 3</p> 	<p>STEP 4</p> 
<p>⑥</p>  <p>1-3/4" SCREW – QTY: 4</p>		