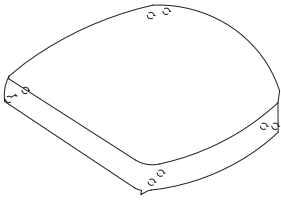
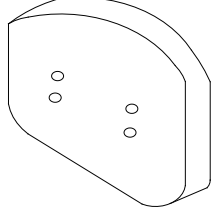
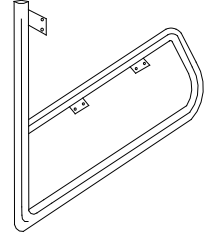
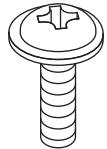


Congratulations on the purchase of your new Officient chair!

PARTS: REMOVE ALL THE PARTS FROM THE CARTON AND VERIFY PART QUANTITIES AS INDICATED IN THIS PARTS LIST. YOU WILL NEED A **PHILLIPS-HEAD SCREWDRIVER**.

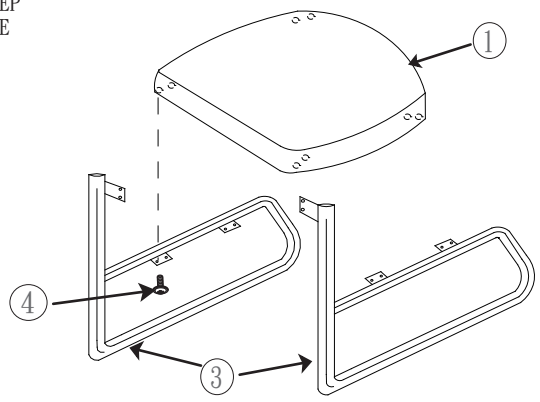
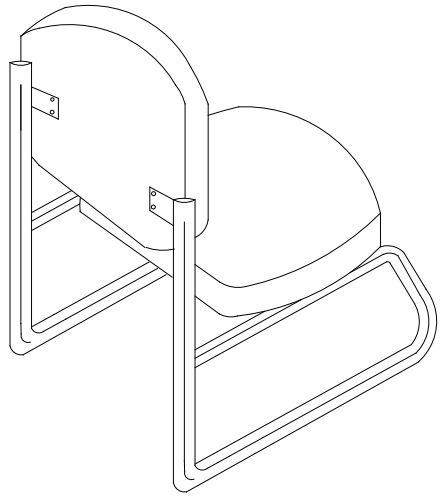
<p>①</p>  <p>SEAT CUSHION - QTY: 1</p>	<p>②</p>  <p>BACK CUSHION - QTY: 1</p>	<p>③</p>  <p>STEEL FRAME ARMLESS - QTY: 1 PAIR</p>	<p>④</p>  <p>SCREWS 1/4" x 3/4" with washers - QTY: 12</p>
--	---	--	---

ATTENTION: MAKE SURE ALL THE SCREWS AND BOLTS ARE FULLY TIGHTENED BEFORE USING THE CHAIR.

STEP ONE: Mount both sides of Seat Cushion ① onto the bottom rib of the Steel Frame ③, with Screws ④ and tighten with screwdriver.

STEP TWO: Place the Back Cushion ② onto the back rib on top of the side Steel Frame ③, with Screws ④ and tighten with screwdriver.

INSTRUCTIONS

<p>STEP ONE</p> 	<p>FINISHED</p> 
<p>STEP TWO</p> 