

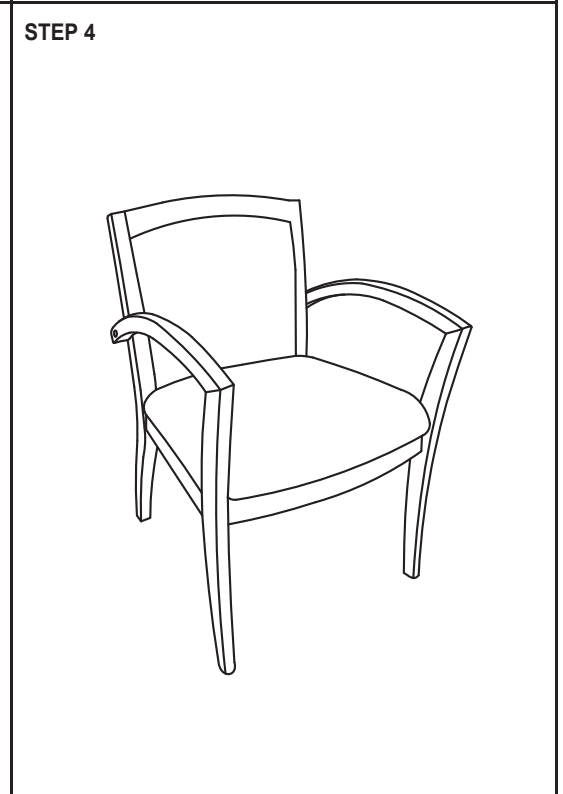
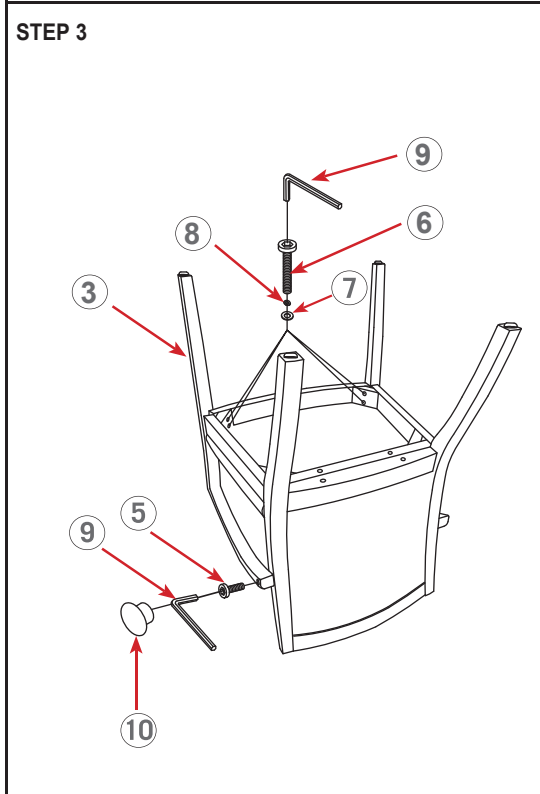
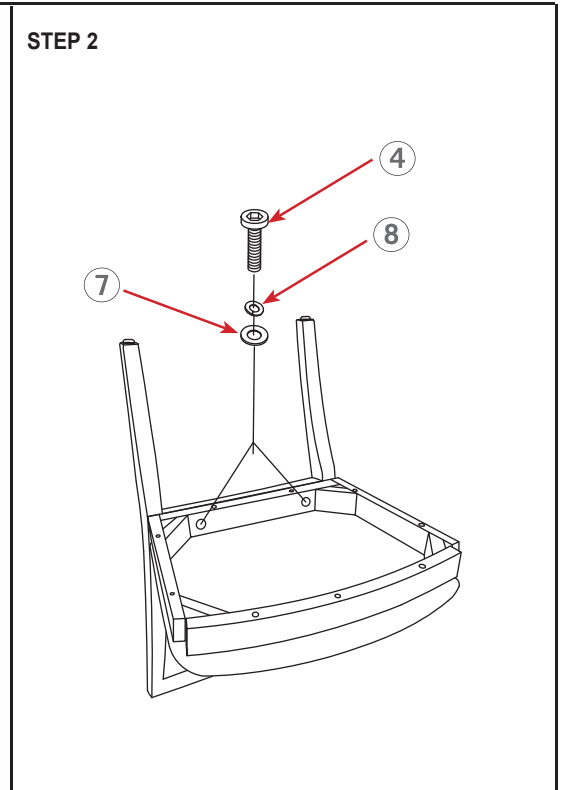
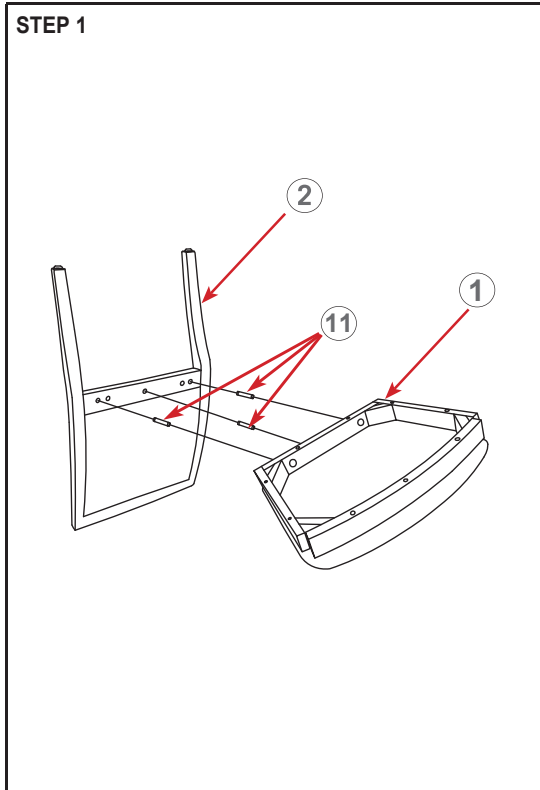
EXPRESSIONS COLLECTION CONFERENCE CHAIR
ASSEMBLY INSTRUCTIONS



Congratulations on the purchase of four new *Efficient* chair!

PARTS – remove all the parts from the carton and verify part quantities as indicated on this parts list.

1		SEAT – QTY: 1
2		BACK – QTY: 1
3		ARMS – QTY: 2
4		1-3/4" SCREW – QTY: 2
5		1-1/2" SCREW – QTY: 2
6		2-3/4" SCREW – QTY: 4
7		1.5T WASHER – QTY: 6
8		1.5T WASHER – QTY: 6
9		ALLEN KEY – QTY: 1
10		PLASTIC CAP – QTY: 2
11		WOOD NOG – QTY: 3



IMPORTANT: This chair is to be used by one person at a time. Be sure all screws are securely tight ended. Save the wrench and periodically tighten the screws. Do not use the chair as a stepladder. Use this chair for its intended purpose only.