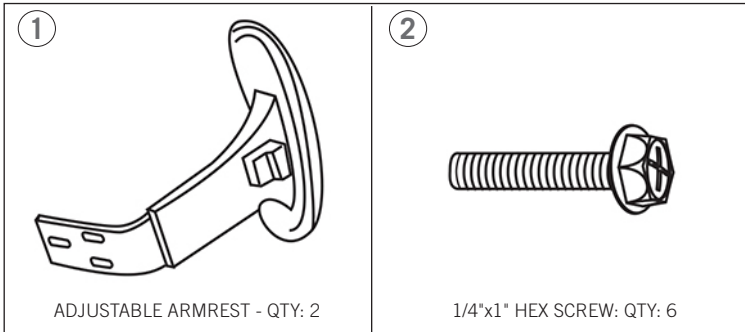


PLEASE READ ALL INSTRUCTIONS BEFORE ASSEMBLY.

TOOLS NEEDED: PHILLIPS HEAD SCREWDRIVER.



**ATTENTION:**

**DURING ASSEMBLY, ONLY HAND TIGHTEN THE SCREWS UNTIL ALL THE SCREWS ARE IN PLACE. THEN, MAKE SURE ALL THE SCREWS ARE FULLY TIGHTENED BEFORE USING THE CHAIR.**

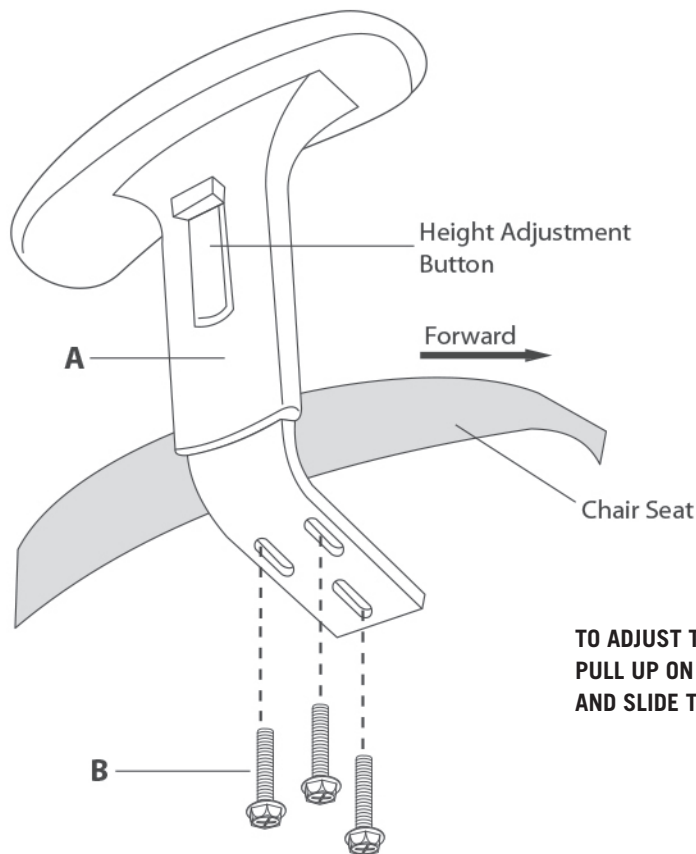
**ADJUSTABLE ARM ASSEMBLY**

**STEP A** Turn the **CHAIR SEAT** upside down and place on a clean, non-abrasive surface.

**STEP B** Align the pre-drilled holes in the **ADJUSTABLE ARMREST** ① with the holes in the bottom of the **CHAIR SEAT**, making sure that the arms have the height adjustment buttons facing out.

**STEP C** Insert three (each arm) **1/4" x 1" HEX SCREWS** ② through the **ADJUSTABLE ARMREST** and into the **CHAIR SEAT**.

**STEP D** Tighten the **HEX SCREWS** using a Phillips screwdriver.



**TO ADJUST THE ARMS:  
PULL UP ON THE HEIGHT ADJUSTMENT BUTTON  
AND SLIDE TO THE DESIRED HEIGHT.**