
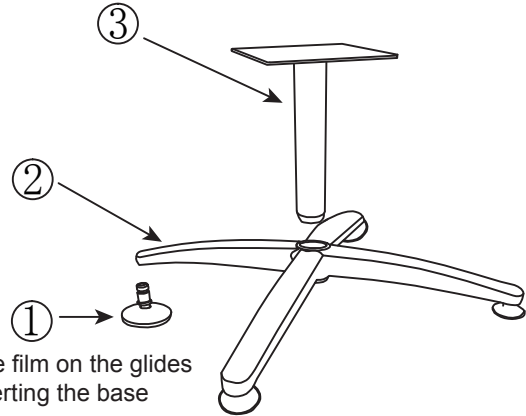

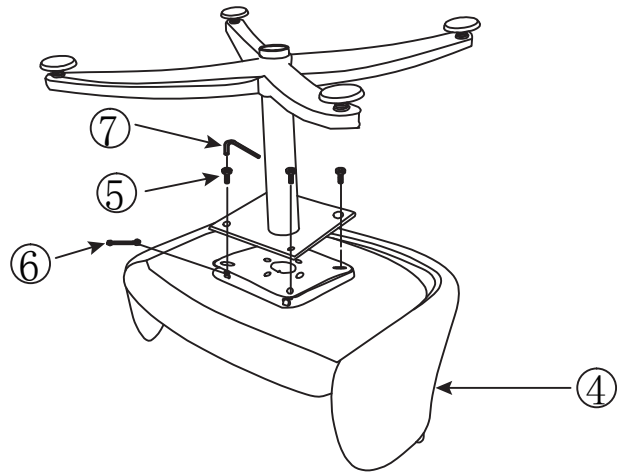








Congratulations on the purchase of your new *Signature Series* chair!

PARTS – remove all the parts from the carton and verify part quantities as indicated on this parts list.

<p>①</p>  <p>GLIDES – QTY: 4</p>	<p>STEP 1</p> 
<p>②</p>  <p>4-STAR BASE – QTY: 1</p>	<p>STEP 2</p> 
<p>③</p>  <p>CHROME TUBE – QTY: 1</p>	<p>STEP 3</p> 
<p>④</p>  <p>CUSHION – QTY: 1</p>	<p>IMPORTANT: This chair is to be used by up to one person at a time. Be sure all screws are securely tightened. Save the wrench and periodically tighten the screws. Do not lean the chair back on two legs or use the chair as a stepladder. Use this chair for its intended purpose only.</p> <p>CUSTOMER SERVICE HOTLINE 800-626-6060</p>
<p>⑤</p>  <p>5/16" * 5/8" SCREW – QTY: 4</p>	<p>⑥</p>  <p>OPEN END WRENCH – QTY: 1</p>
<p>⑦</p>  <p>M5 ALLEN KEY – QTY: 1</p>	