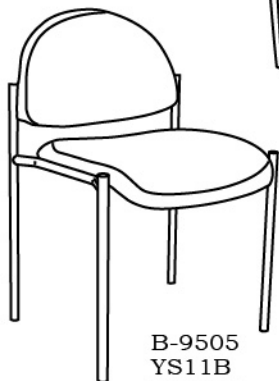


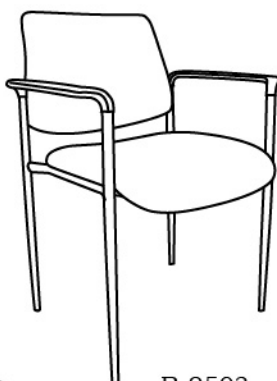
Assembly Instruction



B-9501
YS11A
MS3010
EQ1059


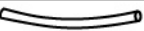

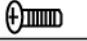




B-9505
YS11B
MS3020

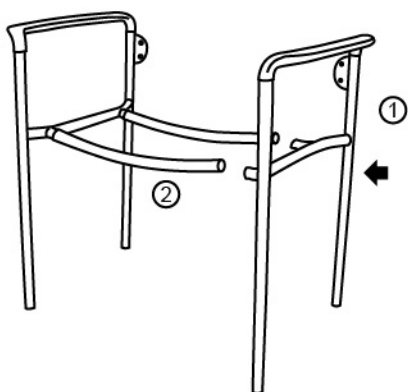


B-9503
EQ1022

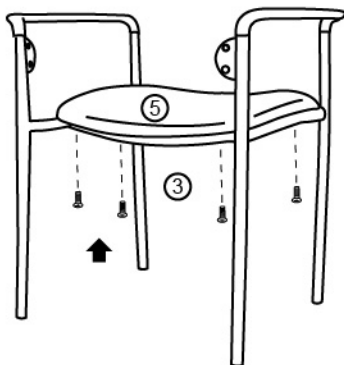
CAUTION: Edges of some parts may be sharp.
Please handle unassembled parts carefully.

Parts List		Q'ty
①	 Right Frame & Left Frame	2
②	 Connecting bar	2
③	 M6x36	4
④	 M6x22	4
⑤	 Seat	1
⑥	 Back	1

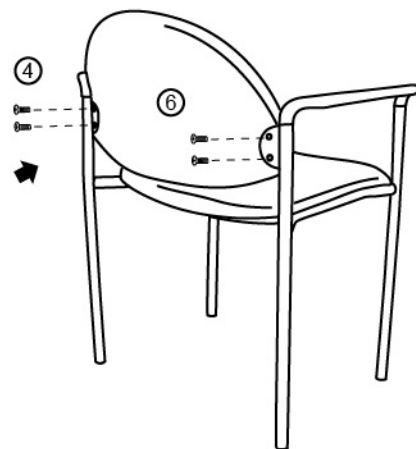
1 Frame & Tube



2 Seat & Frame



3 Back Joint



IMPORTANT NOTICE:
HARDWARE PACKAGE IS ATTACHED ON THE BOTTOM OF SEAT CUSHION.

Insert and loosely tighten all screws. When assembly is completed, fully tighten all screws before using. This chair is only intended for sitting. Any other use will void the warranty.

Customer Service Hotline: 1-800-593-1888

For further assembly instructions, please visit our website at www.bosschair.com