
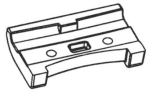


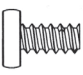

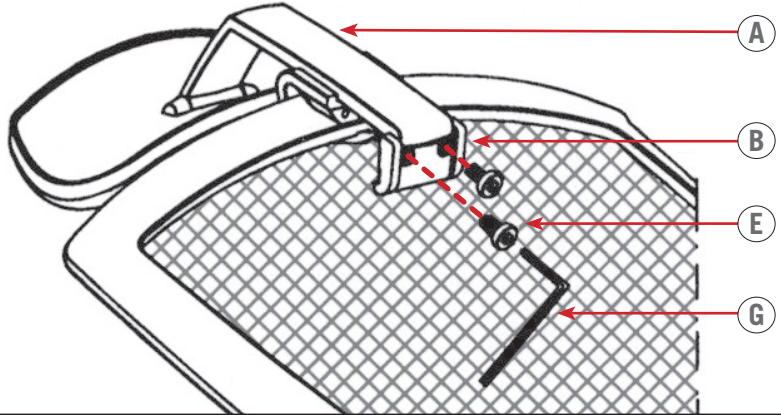


800-558-1010  
www.NBF.com

|  |
|--|
|  <p><b>A</b><br/>HEADREST – QTY: 1</p>            |
|  <p><b>B</b><br/>HEADREST ATTACHMENT – QTY: 1</p> |
|  <p><b>C</b><br/>HANGER – QTY: 1</p>              |
|  <p><b>D</b><br/>HANGER ATTACHMENT – QTY: 1</p>   |
|  <p><b>E</b><br/>3/16" SCREW – QTY: 2</p>        |
|  <p><b>G</b><br/>ALLEN WRENCH – QTY: 1</p>      |

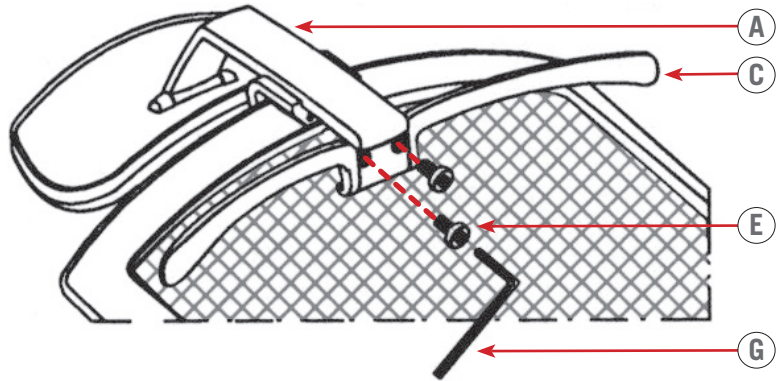
**TO ATTACH THE HEADREST ONLY:**

Use the (2) 3/16" screws (E) and wrench (G) to attach the headrest attachment (B) to the headrest (A).



**TO ATTACH THE HEADREST AND HANGER:**

Use the (2) 3/16" screws (E) and wrench (G) to attach the hanger (C) to the headrest (A).



**TO ATTACH THE HANGER ONLY:**

Use the (2) 3/16" screws (E) and wrench (G) to attach the hanger (C) to the hanger attachment (D).

