

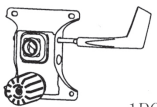

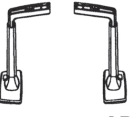
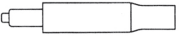
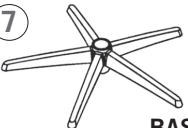

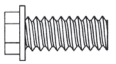
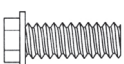

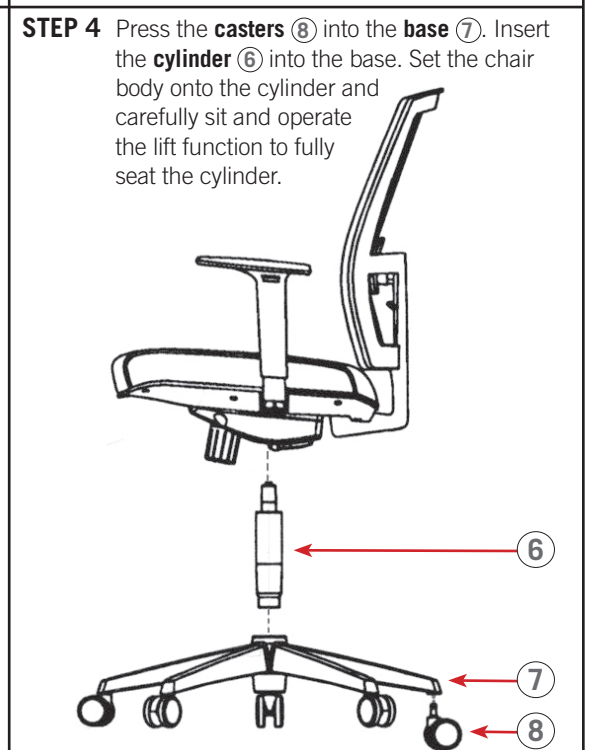
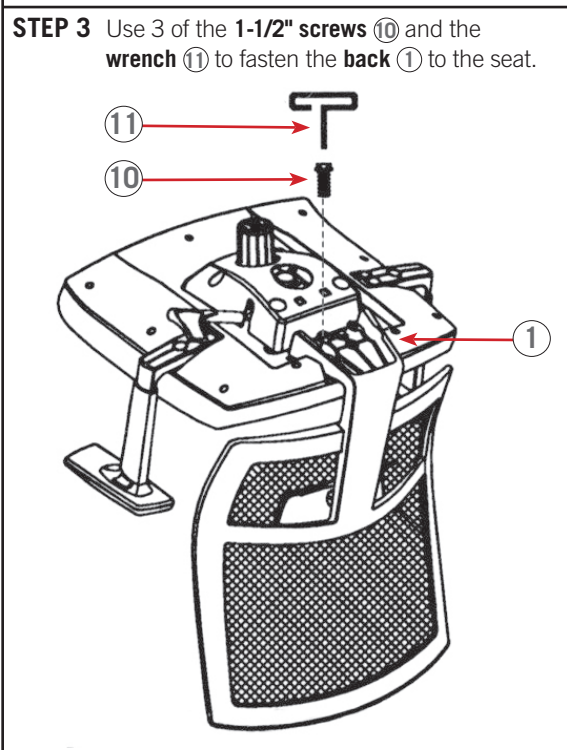
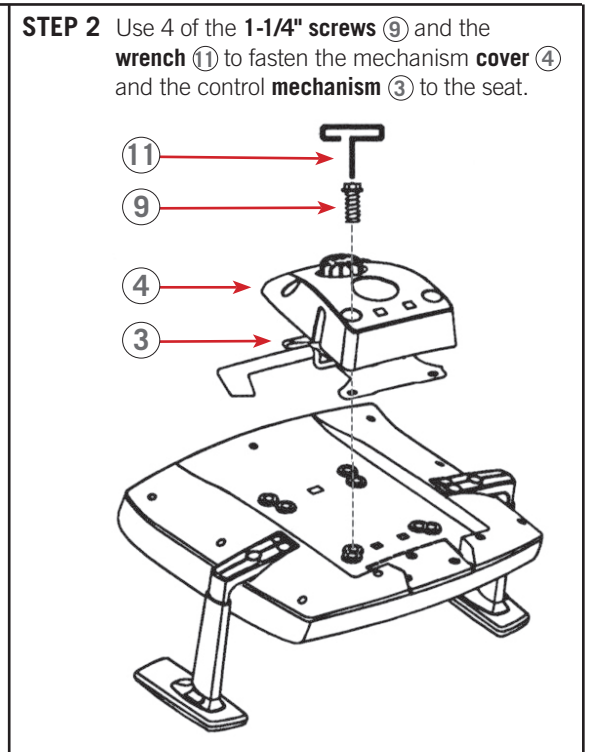
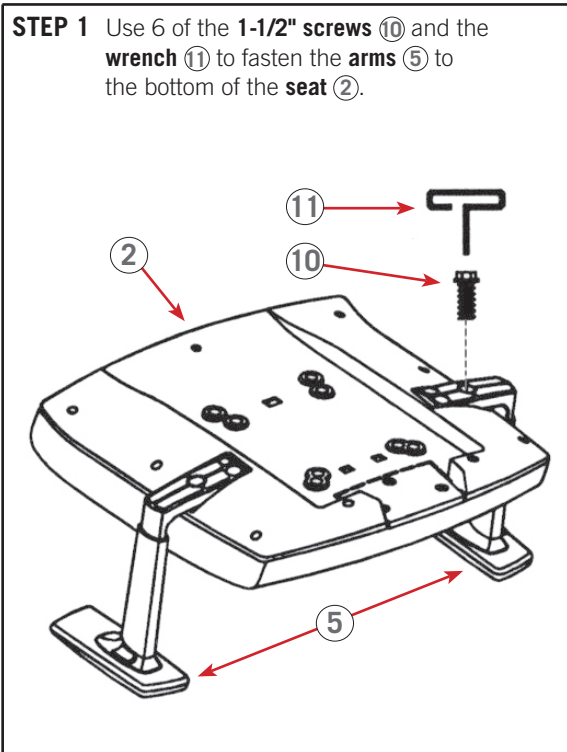


800-558-1010  
www.NBF.com

**Congratulations on the purchase of your new *Signature Series* chair!**

**PARTS** – remove all the parts (including the headrest parts, if applicable) from the carton and verify part quantities as indicated on this parts list and the headrest parts list on the other side.

	<b>BACK</b> – QTY: 1
	<b>SEAT</b> – QTY: 1
	<b>MECHANISM</b> – QTY: 1
	<b>COVER</b> – QTY: 1
	<b>ARMS</b> – QTY: 2
	<b>LIFT CYLINDER</b> – QTY: 1
	<b>BASE</b> – QTY: 1
	<b>CASTER</b> – QTY: 5
	<b>1 1/4" SCREW</b> – QTY: 4
	<b>1 1/2" SCREW</b> – QTY: 9
	<b>WRENCH</b> – QTY: 1



**IMPORTANT:** This chair is to be used by one person at a time. Be sure all screws are securely tightened. Save the wrench and periodically tighten the screws. Do not lean the chair back on 2 wheels or use the chair as a stepladder. Use this chair for its intended purpose only.

CUSTOMER SERVICE HOTLINE  
800-626-6060

WWW.NBF.COM