

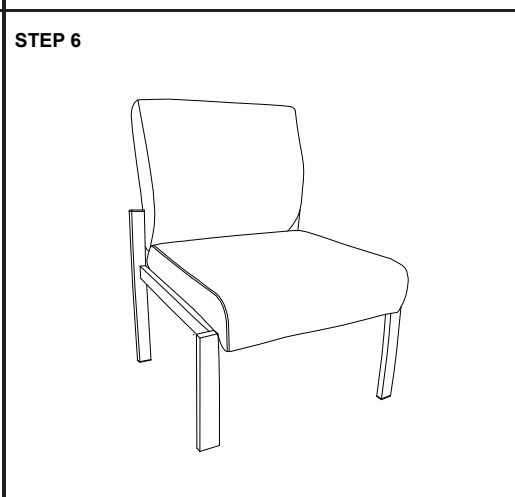
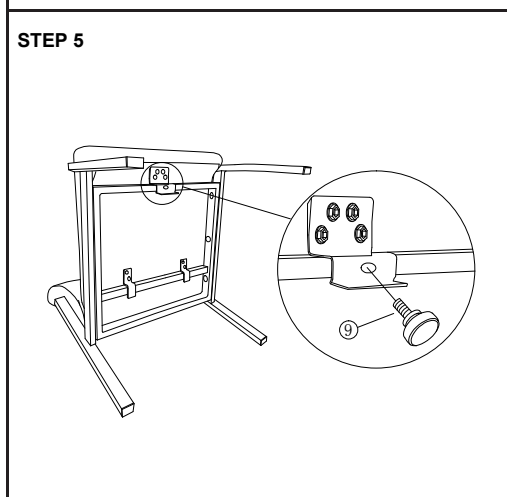
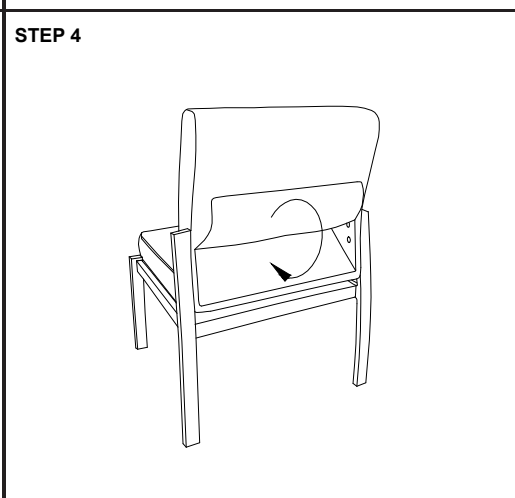
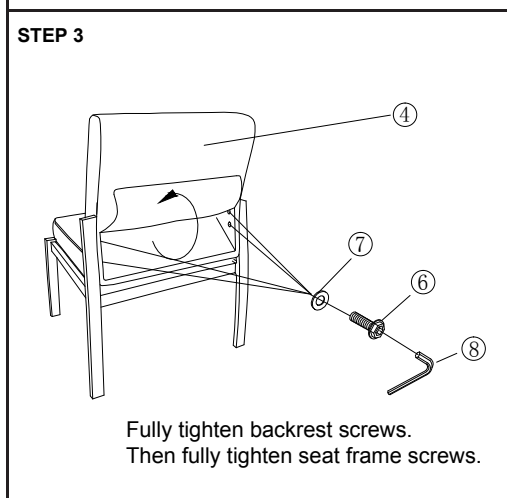
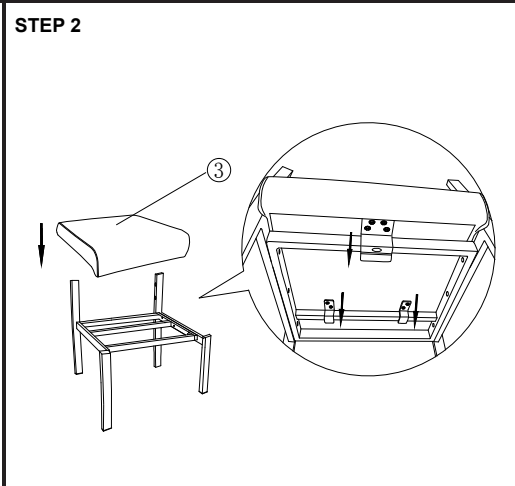
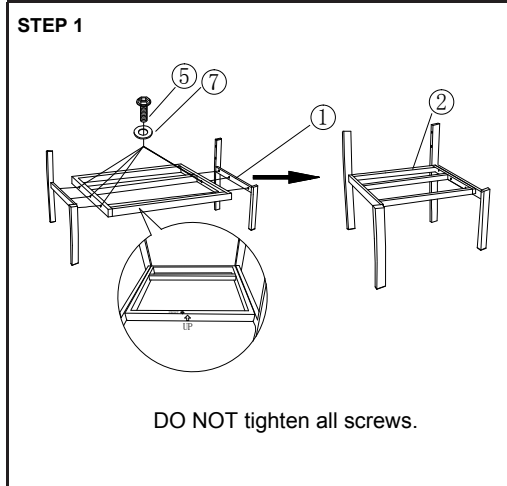
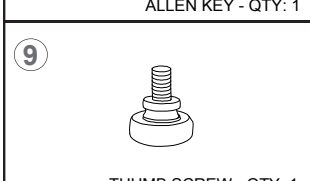
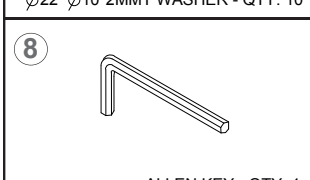
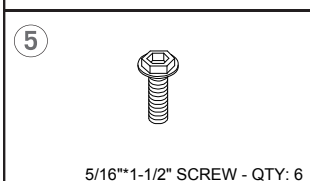
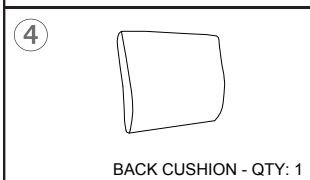
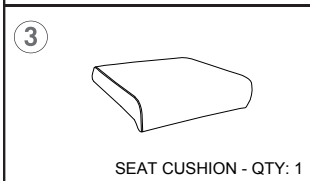
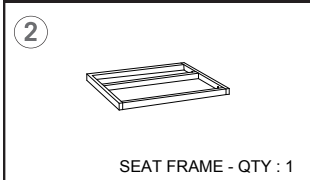
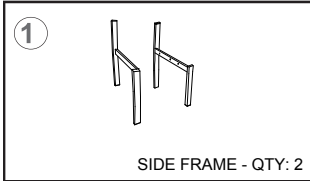
MEADOW CREEK COLLECTION
 ARMLESS GUEST CHAIR
 ASSEMBLY INSTRUCTIONS



800-558-1010 | www.NBF.com

Congratulations on the purchase of your new *Signature Series* chair!

PARTS – remove all the parts from the carton and verify part quantities as indicated on this parts list.



IMPORTANT: This chair is to be used by one person at a time. Be sure all screws are securely tightened. Save the wrench and periodically tighten the screws. Do not lean the chair back on 2 legs or use the chair as a stepladder. Use this chair for its intended purpose only.

CUSTOMER SERVICE HOTLINE
 800-626-6060

NA-60310-00/A/B