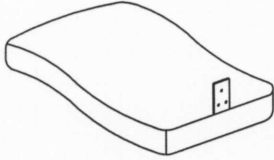
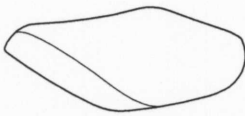


Congratulations on the purchase of your new Signature Series chair!

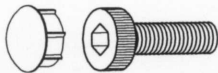
PARTS



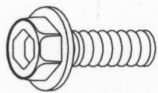
Backrest / QTY:1



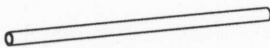
Seat QTY:1



Frame Screw / QTY: 10
Outer Bushing / QTY:10



Metal Backrest Screw / QTY:3



Steel Tube / QTY:2



Steel Frame with Arm Pad / QTY:2

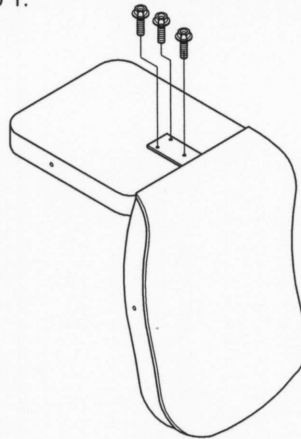
INSTRUCTIONS

Remove all parts from carton and verify part quantities as indicated on parts lists.

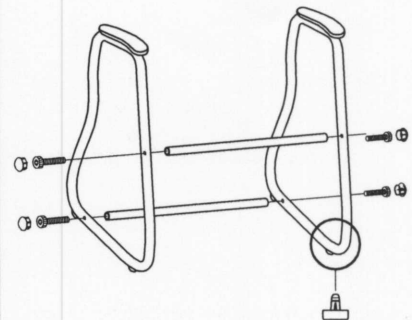
- Step 1. Attach back support to rear of seat using 3 backrest screws.
- Step 2. Attach steel tube to frame using frame screws and insert outer bushing.
- Step 3. Install seat / back to frame using frame screws.

Attention: MAKE SURE ALL SCREWS ARE FULLY TIGHTENED BEFORE USING CHAIR.

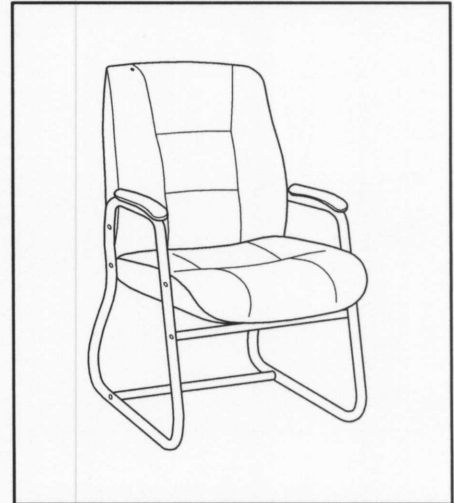
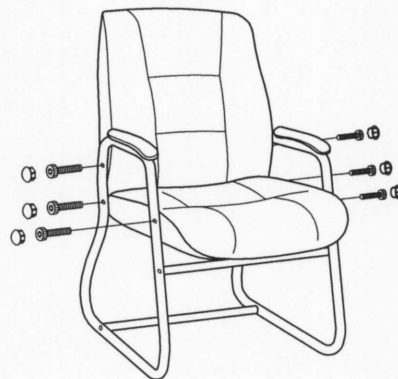
Step 1.



Step 2. If outer bushing cannot be inserted easily, use a hammer to tap it into the screw hole.



Step 3.



Warnings

1. This product should be used by only one person at a time.
2. Do not use this chair unless all bolts, screws and knobs are securely tightened.
3. Save Allen wrench. Check that all bolts, screws and knobs are tight every three months or as needed.
4. Dispose of packing material properly. Do not use the plastic cover as a head covering. It may cause suffocation.
5. Do not use the chair as a stepladder.
6. Use this chair for its intended purpose only.
7. Leather upholstery should be dusted periodically with a soft, dry cloth. Use special-purpose leather cleaning agents to remove dirt and avoid abrasion. Do not use chemicals on the aluminum parts.

CUSTOMER SERVICE HOTLINE
800-626-6060

WWW.NBF.COM



ALLEN WRENCH SPARE PART
(SAVE FOR FUTURE TIGHTENING)