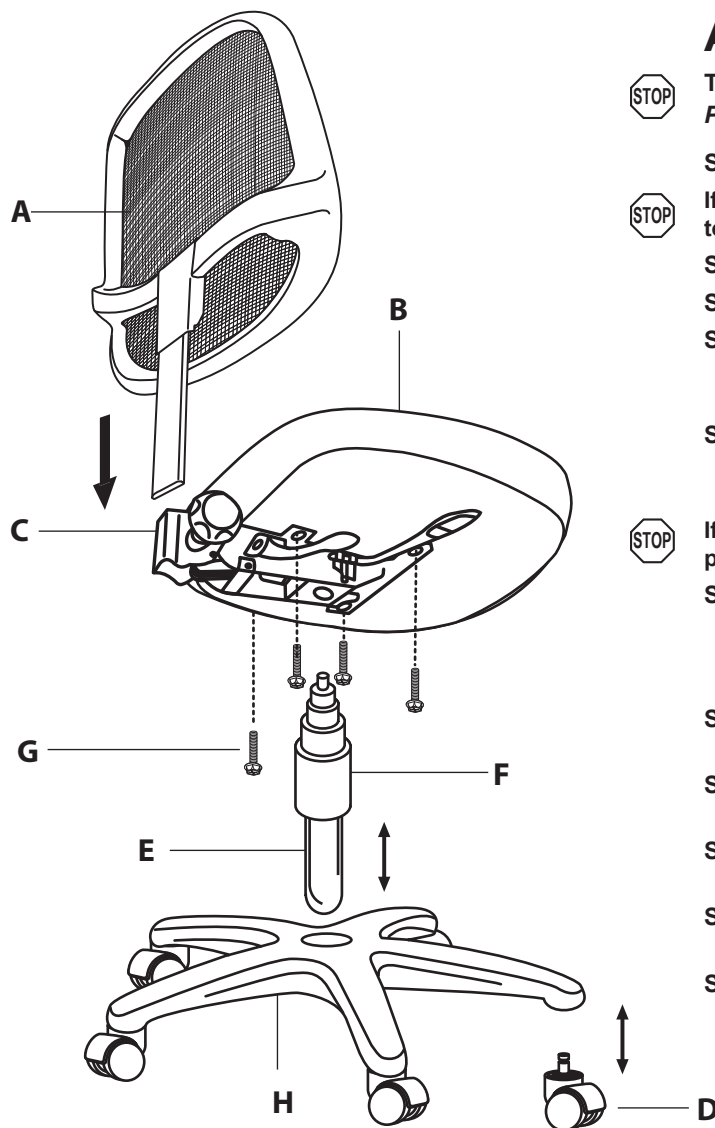
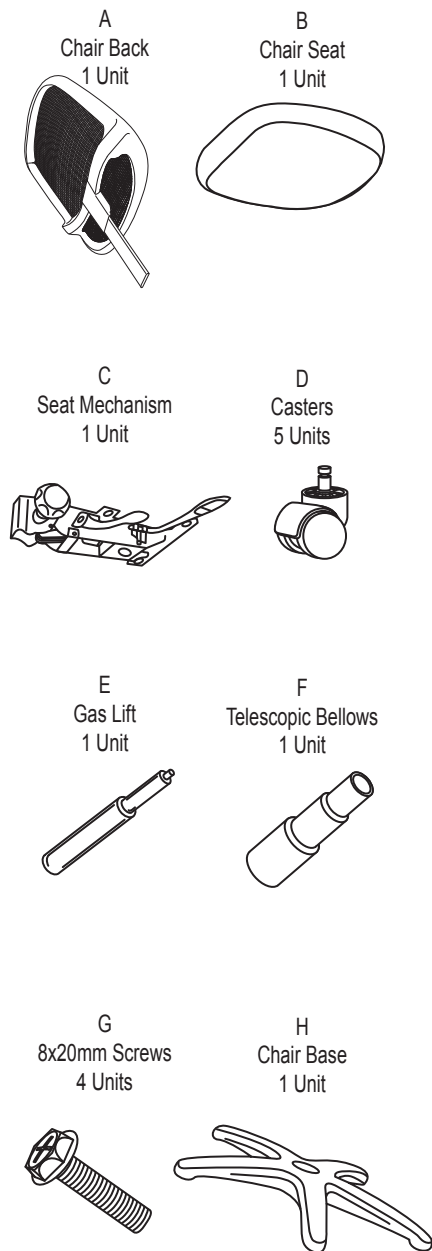


# Models 130/130-AA3/130-AA3-DK/130-DK Modern Mesh Ergonomic Task Chair

## Parts Listing



**WEIGHT CAPACITY: 250 lbs.**

### Assembly Notes:

During assembly, hand tighten screws only. When all screws are in place, you may then tighten all screws completely.

### CAUTION:

1. Do not use this chair as a step ladder.
2. Check for loose screws and tighten them every 6 months.

## Assembly Instructions:



**Tools Needed: Phillips Head Screwdriver**  
*Please read all instructions before assembly.*

**Step 1:** Insert Casters (D) into Base (H).



**If you are assembling a model with a DK Foot Ring please proceed to subsequent pages for drafting kit assembly instructions.**

**Step 2:** Insert Gas Lift (E) into Base (H).

**Step 3:** Cover Gas Lift (E) with 3 piece Telescopic Bellows (F).

**Step 4:** Place Chair Seat (B) upside down on a level, non-abrasive surface and align pre-drilled holes in Seat Mechanism (C), with holes in Chair Seat.

**Step 5:** Insert four 30mm Screws (G) through holes in the Seat Mechanism (C), and into the Chair Seat (B). Tighten with screwdriver.



**If you are assembling a model with optional Adjustable Arms please proceed to subsequent pages for armrest assembly instructions.**

**Step 6:** Carefully place Chair Seat (B) with attached Seat Mechanism (C) onto the Gas Lift (E), aligning the hole in the Seat Mechanism with Gas Lift. Press down on Chair Seat to secure onto Base (H).

**Step 7:** Slide Chair Back (A) with attached back support bar into the slot on Seat Mechanism (C).

**Step 8:** Hand tighten tension knob on Seat Mechanism (C) until the Chair Back (A) is properly secured.

**Step 9:** Carefully sit on chair to make sure the Gas Lift (E) is properly inserted into the Base (H).

**Step 10:** Operate the Gas Lift lever on the Seat Mechanism (C), to be sure unit is working properly.

**Step 11:** Readjust Chair Back (A) by loosening tension knob on the Seat Mechanism (C) accordingly, for your personal comfort.

**ofm**  
Furniture For The Real Office™

161 Tradition Trail, Holly Springs, NC, 27540  
800-520-7471 (voice) 919-362-4765 (fax)  
919-303-6389 (voice) www.ofminc.com  
support@ofminc.com



