

Sunbeam™

For product questions:
Sunbeam Consumer Service
USA: 1.800.458.8407

www.sunbeam.com

©2010 Sunbeam Products, Inc. doing business
as Jarden Consumer Solutions.

All rights reserved. Distributed by Sunbeam Products, Inc.
doing business as Jarden Consumer Solutions, Boca Raton, Florida 33431.

SPR-052510

Para preguntas sobre los productos llame:
Sunbeam Consumer Service
EE.UU.: 1.800.458.8407

www.sunbeam.com

©2010 Sunbeam Products, Inc. operando bajo el nombre
de Jarden Consumer Solutions.

Todos los derechos reservados. Distribuido por
Sunbeam Products, Inc.
operando bajo el nombre de Jarden Consumer Solutions,
Boca Raton, Florida 33431.

Sunbeam™

User Manual **Cupcake Maker**
Manual de Instrucciones **Máquina para Pasteles**

MODEL/
MODELO **FPSBCML900**



IMPORTANT SAFEGUARDS

Exercise care when using an electrical appliance. Listed below are precautions which are essential for the safe use of an electrical appliance:

1. This appliance is not a toy.
2. Read carefully and save all the instructions provided with an appliance.
3. To disconnect, remove power plug by grasping the plug - do not pull on the cord. Remove the plug when the appliance is not in use and before cleaning.
4. Always plug your appliance cord into a power outlet of the voltage (A.C. only) marked on the appliance.
5. Close supervision is necessary when your appliance is being used by children.
6. Never leave an appliance unattended while in use.
7. Do not use an appliance for any purpose other than its intended use.
8. Do not place an appliance on or near a hot gas flame, electric element or on a heated oven. Do not place on top of any other appliance.
9. Do not let the power cord of an appliance hang over the edge of a table or bench top or touch any hot surface.
10. Do not operate any electrical appliance with a damaged cord or after the appliance has been damaged in any manner. If damage is suspected, return the appliance to the nearest Sunbeam Appointed Service Center for examination, repair or adjustment.
11. Do not immerse the appliance in water or any other liquid.
12. Appliances are not intended to be operated by means of an external timer or separate remote control system.
13. This appliance is intended for household use only.
14. Operate the cupcake maker on a flat surface.
15. Do not place any part of this appliance in a dishwasher.
16. The temperature of surfaces may be HOT when the appliance is operating.

THIS UNIT IS INTENDED FOR HOUSEHOLD USE ONLY.

This appliance has a polarized plug (one blade is wider than the other). To reduce the risk of electric shock, as a safety feature, this plug is intended to fit into a polarized outlet only one way. If the plug does not fit fully into the outlet, reverse the plug. If it still does not fit, contact a qualified electrician. Do not attempt to modify the plug in any way.

EXTENSION CORD USE

A short power-supply cord (or detachable power-supply cord) is provided to reduce the risk resulting from becoming entangled in or tripping over a longer cord. Longer detachable power-supply cords or extension cords are available and may be used if care is exercised in their use.

If a long detachable power-supply cord or extension cord is used, the electrical rating of the cord or extension cord must be at least as great as the electrical rating of the appliance. The extension cord should be arranged so that it will not drape over the countertop or tabletop where it can be pulled on by children or tripped over unintentionally.

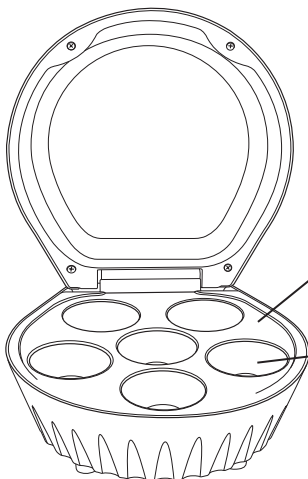
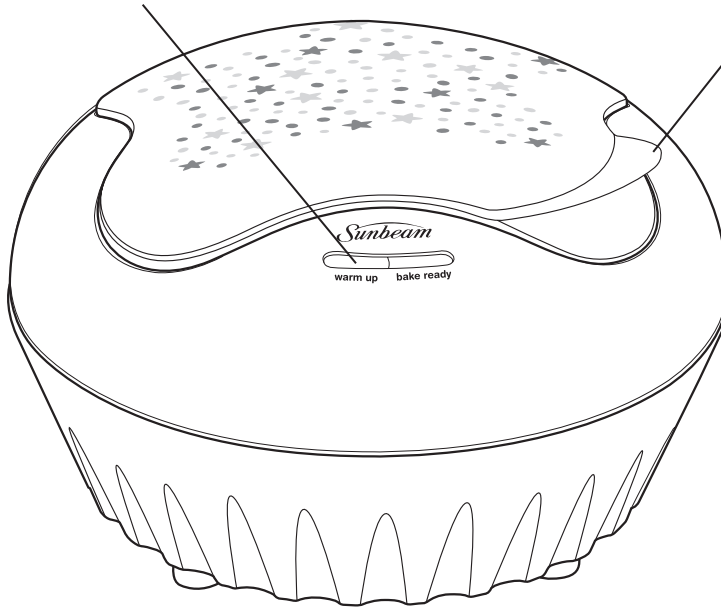
SAVE THESE INSTRUCTIONS

If you have any concerns regarding the performance and use of your appliance, please visit www.sunbeam.com or contact the Sunbeam Consumer Service Line. Ensure the above safety precautions are understood.

LEARNING ABOUT YOUR CUPCAKE MAKER

Warm up / Bake Ready Indicators
Indicates that the cupcake maker is on and heating.

Easy-lift handle
Designed for easy and safe use.



Non-stick coating
Non-stick plates for easy cleaning.

Cupcake holes
Create 6 delicious cupcakes in 10 minutes.

HOW TO USE

For cupcake batter you can use:

1. Store bought cake batter.
2. Use the cupcake recipes beginning on page 7.

To use Cupcake Maker follow these guidelines:

1. Insert the plug into a 120 volt power outlet.
2. Allow your cupcake maker to pre-heat until the 'WARM UP' light goes out and the 'BAKE READY' light comes on. This indicates that the cooking plates have reached the correct temperature for cooking.
3. We recommend using fluted cupcake papercups for best results. Insert paper cupcake cups into cupcake maker.
4. Fill cupcake cups with batter using a spoon 3/4 up to the top of the paper cup.

Tip: If placing mixture directly into the cupcake maker, it is advised to lightly spray the cooking plates with a cooking oil spray before use.

5. Gently close the lid.
6. Allow to cook for approximately 10 minutes or until a tooth pick inserted into the cupcakes comes out clean.

Tip: Do not lift the lid before the recommended cooking time as this will affect the result.

1. To remove cupcakes, always use a plastic or wooden spatula. Never use a sharp object or metal, as this will damage the non-stick surface of the cooking plates.

NOTE: Surfaces are HOT.



CARE AND CLEANING

Always remove the plug after use and allow Cupcake Maker to completely cool before cleaning. The cooking plates are coated with non-stick cooking surface, therefore little cleaning is required. Simply wipe cooking plates over with a damp cloth.

Do not immerse the cupcake maker in water or other liquids. Do not use abrasive scouring pads, powders or cleaners. Before next use; lightly grease the cooking plates for easy removal of cooked cupcakes.

HELPFUL HINTS

1. Depending on the thickness of the cupcake paper cups you can use one or two cups per cupcake.
2. Cooking times may vary depending on the cupcake mixture and cupcake paper cup size.
3. Packet cake mixes are suitable to use in the cupcake maker. Use the recipe and method as directed on the packet mix but only cook for 10-12 minutes per batch.
4. Other recipes are suitable to use in the cupcake maker, simply use about 3/4 cup mixture when filling cupcake paper cups.
5. We recommend using cupcake paper cups for making cupcakes but muffins can be cooked with or without cupcake paper cups.
6. If using the cupcake maker without cupcake paper cups always ensure the plates are greased before cooking to make the removal of cooked muffins easily.
7. Do not open the cupcake maker before the recommended cooking time as this can affect the cooking result of the cupcake.
8. Cupcakes/muffins can be frozen and thawed for later use. Allow the cupcakes to cool completely then place into an airtight container and freeze. Muffins can be individually wrapped and frozen for lunchbox treats.
9. Use a flat rounded knife or angled spatula to spread icing easily. Angled spatulas are available from kitchen supply stores.

Questions? Need help?
800-458-8407 U.S.
www.sunbeam.com

RECIPES

Quick Mix Basic Cupcakes

Makes: 12

Preparation: 10 minutes

Cooking: 10-12 minutes per batch

- 1 3/4 cups self-raising flour
- 3/4 cup sugar
- 2/3 cup milk
- 2 eggs, lightly beaten
- 9 tablespoons unsalted butter, melted, cooled
- 1/2 teaspoon vanilla extract

1. Preheat cupcake maker until ready light goes on.
2. Combine ingredients into a large bowl. Using an electric mixer beat on low speed until combined; increase speed to medium and beat for about 1 minute or until there are no lumps. Do not over beat.
3. Place 6 cupcake paper cups into cupcake maker. Fill 3/4 full with batter. Close lid and cook cupcakes for 10-12* minutes or until a toothpick inserted into the center comes out clean. Carefully remove from cupcake maker using a heatproof spatula onto a wire rack. Repeat with remaining cupcakes.
4. Allow cupcakes to cool before icing with your favorite topping.

Tip: Basic cupcakes go really well with the basic butter cream icing on page 10.

Chocolate Cupcakes

Makes: 12

Preparation: 10 minutes

Cooking: 10-12 minutes per batch

- 1 cup self-raising flour
- 1/2 cup plain flour
- 1/3 cup cocoa powder
- 3/4 cup sugar
- 3/4 cup milk
- 2 eggs, lightly beaten
- 9 tablespoons butter, melted, cooled

1. Preheat cupcake maker until ready light goes on.
2. Sift flours and cocoa powder into a large bowl. Add remaining ingredients.
3. Combine ingredients into a large bowl. Using an electric mixer beat on low speed until combined; increase speed to medium and beat for about 1 minute or until there are no lumps. Do not over beat.
4. Place 6 cupcake paper cups into cupcake maker. Fill 3/4 full with batter. Close lid and cook cupcakes for 10-12* minutes or until a toothpick inserted into the center comes out clean. Carefully remove from cupcake maker using a heatproof spatula onto a wire rack. Repeat with remaining cupcakes.
5. Allow cupcakes to cool before icing with your favorite topping.

Tip: Chocolate cupcakes go really well with chocolate icing on page 10.

Strawberry Cupcakes

Makes: 12

Preparation: 10 minutes

Cooking: 10-12 minutes per batch

- 1 3/4 cups self-raising flour
- 3/4 cup sugar
- 2/3 cup milk
- 2 eggs, lightly beaten
- 9 tablespoons butter, melted, cooled
- 1 teaspoon strawberry essence

1. Preheat cupcake maker until ready light goes on.
2. Combine ingredients into a large bowl. Using an electric mixer beat on low speed until combined; increase speed to medium and beat for about 1 minute or until there are no lumps. Do not over beat.
3. Place 6 cupcake paper cups into cupcake maker. Fill 3/4 full with batter. Close lid and cook cupcakes for 10-12* minutes or until a toothpick inserted into the center comes out clean. Carefully remove from cupcake maker using a heatproof spatula onto a wire rack. Repeat with remaining cupcakes.
4. Allow cupcakes to cool before icing with your favorite topping.

Cookie and Cream Cupcakes

Makes: 12

Preparation: 10 minutes

Cooking: 10-12 minutes per batch

- 1 1/2 cups self-raising flour
- 1/2 cup sugar
- 1/2 cup milk
- 2 eggs, lightly beaten
- 7 tablespoons unsalted butter, melted, cooled
- 1/2 teaspoon vanilla extract
- 5 cream filled chocolate biscuits, finely chopped

1. Preheat cupcake maker until ready light goes on.
2. Combine ingredients into a large bowl except for cookies. Using an electric mixer beat on low speed until combined; increase speed to medium and beat for about 1 minute or until there are no lumps. Do not over beat. Stir through cookies.
3. Place 6 cupcake paper cups into cupcake maker. Fill 3/4 full with batter. Close lid and cook cupcakes for 10-12* minutes or until a toothpick inserted into the center comes out clean. Carefully remove from cupcake maker using a heatproof spatula onto a wire rack. Repeat with remaining cupcakes.

Banana Cupcakes

Makes: 12

Preparation: 10 minutes

Cooking: 12 minutes per batch

- 2 cups self-raising flour
- 3/4 cup sugar
- 1/4 teaspoon ground nutmeg
- 1 large ripe banana, mashed
- 2 eggs, lightly beaten
- 9 tablespoons butter, melted, cooled

1. Preheat cupcake maker until ready light goes on.
2. Combine ingredients into a large bowl. Using an electric mixer beat on low speed until combined; increase speed to medium and beat for about 1 minute or until there are no lumps. Do not over beat.
3. Place 6 cupcake paper cups into cupcake maker. Fill 3/4 full with batter. Close lid and cook cupcakes for 10-12* minutes or until a toothpick inserted into the center comes out clean. Carefully remove from cupcake maker using a heatproof spatula onto a wire rack. Repeat with remaining cupcakes.

Tip: Banana cupcakes go really well with the cream cheese frosting recipe on page 10.

Blueberry Muffins

Makes: 12

Preparation: 10 minutes

Cooking: 14-16 minutes per batch

- 1 2/3 cups self-raising flour
- 2/3 cup sugar
- 1 egg, lightly beaten
- 9 tablespoons butter, melted, cooled
- 1/2 cup milk
- 1 cup fresh or frozen blueberries
- Confectioners sugar, for dusting

1. Preheat cupcake maker until ready light goes on.
2. Combine ingredients except blueberries into a large bowl; stir gently with a wooden spoon until just combined; fold through blueberries.
3. Place 6 cupcake paper cups into cupcake maker. Fill 3/4 full with batter. Close lid and cook muffins for 12-14* minutes or until a toothpick inserted into the center comes out clean. Carefully remove muffins from cupcake maker using a heatproof spatula onto a wire rack. Repeat with remaining muffins.

**Cooking time may vary depending on consistency of batter, ingredients and use or non-use of paper cupcake cups.*

ICINGS

Butter Cream Icing

Makes: 1 3/4 cups

Preparation: 10 minutes

- 9 tablespoons butter, softened
- 1 1/2 cups confectioners sugar
- 1-2 tablespoons milk

1. Place butter into a small bowl of an electric mixer. Beat on medium high speed until the butter is pale in color. Reduce speed and gradually add sugar and milk and beat until smooth.
2. Add food coloring or flavored essence to make your favorite color icing and favors.

Variation:

Chocolate butter cream: Sift 2-3 tablespoons of cocoa powder into the icing sugar mixture.

Chocolate Ganache

Makes: 1 1/2 cups

Preparation: 15 minutes + chilling time

- 1 cup good quality dark chocolate, roughly chopped
- 1/2 cup cream

1. Combine chocolate and cream into a small saucepan. Cook, stirring, over a low heat until chocolate melts and mixture is smooth. Transfer to a glass bowl and refrigerate, stirring occasionally, until thick but still spreadable.

Variation:

White chocolate ganache: Replace dark chocolate with 1 cup good quality white chocolate.

Milk chocolate ganache: Replace dark chocolate with 1 cup good quality milk chocolate.

Cream Cheese Frosting

Makes: 2 cups

Preparation: 10 minutes

- 9 tablespoons cream cheese, softened
- 4 2/3 tablespoons butter, softened
- 1 teaspoon finely grated lemon rind
- 1 tablespoon lemon juice
- 1 1/2 cups confectioners sugar

1. Place cream cheese, butter, lemon rind and juice into a small bowl of an electric mixer. Beat on medium high speed until smooth.
2. Reduce speed and gradually add sugar and beat until smooth.

Variation:

Passionfruit: Replace lemon rind and juice with 2 tablespoons of passionfruit pulp.

Vanilla: Replace lemon rind and juice with 1 teaspoon vanilla extract

1 Year Limited Warranty

Sunbeam Products, Inc. doing business as Jarden Consumer Solutions or if in Canada, Sunbeam Corporation (Canada) Limited doing business as Jarden Consumer Solutions (collectively “JCS”) warrants that for a period of one year from the date of purchase, this product will be free from defects in material and workmanship. JCS, at its option, will repair or replace this product or any component of the product found to be defective during the warranty period. Replacement will be made with a new or remanufactured product or component. If the product is no longer available, replacement may be made with a similar product of equal or greater value. This is your exclusive warranty. Do NOT attempt to repair or adjust any electrical or mechanical functions on this product. Doing so will void this warranty.

This warranty is valid for the original retail purchaser from the date of initial retail purchase and is not transferable. Keep the original sales receipt. Proof of purchase is required to obtain warranty performance. JCS dealers, service centers, or retail stores selling JCS products do not have the right to alter, modify or any way change the terms and conditions of this warranty.

This warranty does not cover normal wear of parts or damage resulting from any of the following: negligent use or misuse of the product, use on improper voltage or current, use contrary to the operating instructions, disassembly, repair or alteration by anyone other than JCS or an authorized JCS service center. Further, the warranty does not cover: Acts of God, such as fire, flood, hurricanes and tornadoes.

What are the limits on JCS's Liability?

JCS shall not be liable for any incidental or consequential damages caused by the breach of any express, implied or statutory warranty or condition.

Except to the extent prohibited by applicable law, any implied warranty or condition of merchantability or fitness for a particular purpose is limited in duration to the duration of the above warranty.

JCS disclaims all other warranties, conditions or representations, express, implied, statutory or otherwise.

JCS shall not be liable for any damages of any kind resulting from the purchase, use or misuse of, or inability to use the product including incidental, special, consequential or similar damages or loss of profits, or for any breach of contract, fundamental or otherwise, or for any claim brought against purchaser by any other party.

Some provinces, states or jurisdictions do not allow the exclusion or limitation of incidental or consequential damages or limitations on how long an implied warranty lasts, so the above limitations or exclusion may not apply to you.

This warranty gives you specific legal rights, and you may also have other rights that vary from province to province, state to state or jurisdiction to jurisdiction.

How to Obtain Warranty Service

In the U.S.A.

If you have any question regarding this warranty or would like to obtain warranty service, please call 1.800.458.8407 and a convenient service center address will be provided to you.

In Canada

If you have any question regarding this warranty or would like to obtain warranty service, please call 1.800.667.8623 and a convenient service center address will be provided to you.

In the U.S.A., this warranty is offered by Sunbeam Products, Inc. doing business as Jarden Consumer Solutions located in Boca Raton, Florida 33431. In Canada, this warranty is offered by Sunbeam Corporation (Canada) Limited doing business as Jarden Consumer Solutions, located at 20 B Hereford Street, Brampton, Ontario L6Y 0M1. If you have any other problem or claim in connection with this product, please write our Consumer Service Department.

PLEASE DO NOT RETURN THIS PRODUCT TO ANY OF THESE ADDRESSES OR TO THE PLACE OF PURCHASE.

PRECAUCIONES IMPORTANTES

Tenga cuidado cuando use un aparato eléctrico. Aquí abajo se listan las precauciones que son esenciales para el uso seguro de un aparato eléctrico:

1. No deje su Máquina para Pasteles descuidada.
2. Lea cuidadosamente y guarde todas las instrucciones que se proveen con el aparato.
3. Para desconectar, remueva el enchufe eléctrico sosteniéndolo del enchufe, no jale del cordón. Remueva el enchufe cuando el aparato no este en uso y antes de limpiar.
4. Siempre enchufe el cordón de su aparato en un tomacorriente eléctrico (AC solamente) del voltaje marcado en el aparato.
5. Es necesario mantener supervisión constante cuando su aparato sea usado por niños.
6. Nunca deje un aparato descuidado mientras esté en uso.
7. No use este aparato para otro uso que no sea el recomendado
8. No coloque el aparato sobre o cerca de una llama de gas caliente, un elemento u hornilla eléctrica o dentro de un horno caliente.
9. No permita que el cordón cuelgue del borde de la mesa o tablero de cocina, o que toque superficies calientes.
10. No opere cualquier aparato que tenga un cordón o enchufe dañado, o después de que el aparato haya sido dañado de cualquier manera. Si se sospecha de alguna daño, retorne el aparato al establecimiento de reparación autorizado Sunbeam más cercano para su revisión, reparación o ajuste.
11. No sumerja el aparato en agua u otro líquido.
12. Este aparato no a sido diseñado para ser operado con un marcador de tiempo externo ni con un sistema a control remoto separado.
13. Este aparato es para uso doméstico solamente.
14. Opere la Máquina para Pasteles en una superficie plana.
15. No coloque ninguna parte de este aparato en el lavaplatos.
16. La temperatura de la superficie de la máquina puede estar CALIENTE cuando el aparato está en operación.

ESTA UNIDAD ES PARA USO DOMÉSTICO ÚNICAMENTE

Este aparato viene con un enchufe polarizado (una hoja es más ancha que la otra). Como una característica de seguridad para reducir el riesgo de descarga eléctrica, este enchufe está diseñado para entrar en un tomacorriente polarizado de una manera solamente. Si el enchufe no entra completamente en el tomacorriente, déle la vuelta. Si aun así no entra, contacte a un electricista calificado. No intente modificar el enchufe de ninguna manera.

USO DE UNA EXTENSIÓN DE CABLE

Se provee un cordón eléctrico corto (o cordón eléctrico desmontable) para reducir el riesgo de enredos o tropiezos que pueda causar un cordón largo. Pueden usarse cordones eléctricos desmontables más largos o extensiones de cable si se usan con cuidado.

Si usa una extensión de cable o un cordón eléctrico desmontable largo, la clasificación eléctrica marcada en la extensión de cable o cordón eléctrico desmontable debe ser por lo menos igual que la clasificación eléctrica del aparato. Todos los cordones deben arreglarse de modo tal que no queden colgando del borde de una mesa o tablero de donde podría ser jalado por niños o podría cuasar tropiezos sin querer.

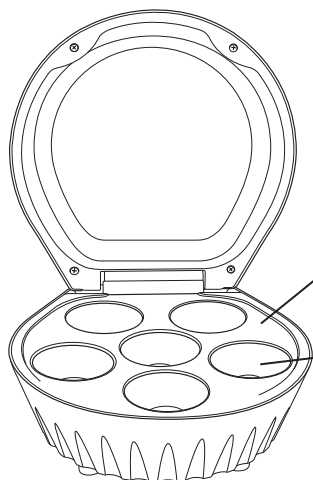
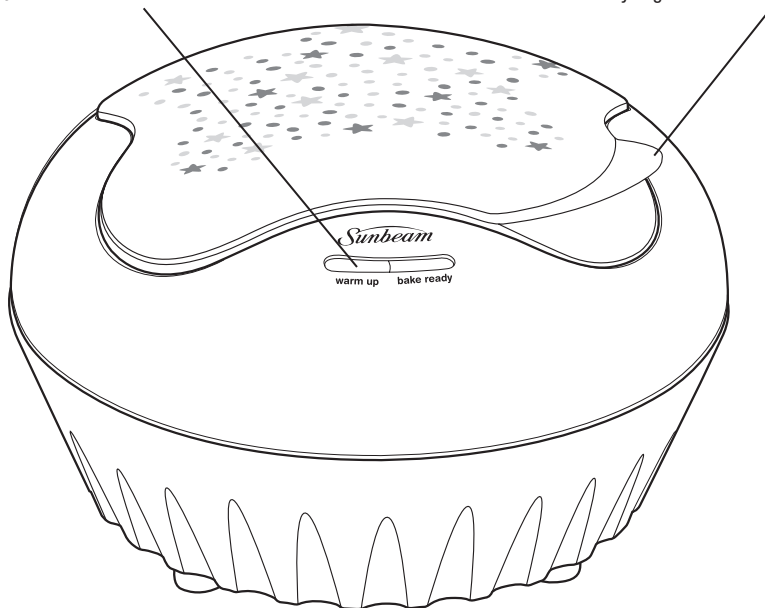
GUARDE ESTAS INSTRUCCIONES

Si usted tiene cualquier preocupación acerca del rendimiento y el uso de su aparato, por favor visite www.sunbeam.com o contacte la línea de Servicio al Consumidor de Sunbeam. Asegúrese de que las precauciones de seguridad de arriba han sido comprendidas.

APRENDIENDO ACERCA DE SU MÁQUINA PARA PASTELES

Indicadores de Calentamiento / hornee indicador listo
Indica cuando la máquina para pasteles está encendida y calentando

Mango de fácil levante
Diseñado para un uso fácil y seguro



Acabado antiadherente
Planchas antiadherentes para fácil limpieza.

Agujeros para pasteles
Crea 6 pasteles deliciosos en 10 minutos.

CÓMO USAR

Para la masa de los pasteles puede usar:

1. Mezcla para pasteles comprada en la tienda
2. Las recetas que empiezan en la pagina 17

Para usar la Máquina para Pasteles siga las siguientes indicaciones:

1. Inserte el enchufe en un tomacorriente eléctrico de 120 voltios.
2. Permita que su Máquina para Pasteles precaliente hasta que la luz de “Calentando” (Warm up) se apague y la luz de “Listo para hornear” (Bake Ready) se encienda. Esto indica que las planchas de cocción han alcanzado la temperatura correcta para la cocción.
3. Le recomendamos usar moldes de papel para pasteles con canales para mejores resultados. Inserte los moldes de papel para pasteles en la Máquina para Pasteles.
4. Llene los moldes de papel con la mezcla usando una cuchara hasta $\frac{3}{4}$ del borde del molde de papel.

Consejo: Si echa la mezcla directamente sobre las planchas de cocción de la Máquina para Pasteles, se recomienda que antes del uso rocíe ligeramente las planchas con un rociador con aceite de cocina.

5. Cierre la tapa delicadamente.
6. Deje cocinar por 10 minutos aproximadamente o hasta que al insertar un palillo de dientes en el pastel, el palillo salga limpio.

Consejo: No levante la tapa antes del tiempo de cocción recomendado puesto que esto afectará los resultados.

1. Para remover los pasteles, siempre use una espátula de madera o plástico. Nunca use un objeto filudo o de metal puesto que éste puede dañar la superficie antiadherente de las planchas de cocción.

NOTA: Las superficies están CALIENTES.



CUIDADO Y LIMPIEZA

Siempre remueva el enchufe después de usar y deje que la Máquina para Pasteles se enfríe completamente antes de limpiar. Las planchas de cocción están cubiertas con una superficie de cocción antiadherente, por lo tanto se requiere poca limpieza. Simplemente pásele una tela húmeda a las planchas de cocción.

No sumerja la Máquina para Pasteles en agua o cualquier otro líquido. No use esponjas de refregar, polvos o limpiadores abrasivos. Antes del siguiente uso; engrase ligeramente las planchas de cocción para poder remover fácilmente los pasteles cocidos.

CONSEJOS ÚTILES

1. Dependiendo del grosor de los moldes de papel para pasteles puede usar uno o dos moldes por pastel.
2. Los tiempos de cocción pueden variar dependiendo de la mezcla de los pasteles y del tamaño de los moldes de papel para pasteles.
3. Las mezclas para pasteles que vienen empaquetadas son adecuadas para usarse en la máquina para pasteles. Use la receta y el método que se indican en el empaque de la mezcla pero cocine solamente por 10 a 12 minutos por tanda.
4. Otras recetas son adecuadas para usarse en la máquina para pasteles. Simplemente use $\frac{3}{4}$ de taza de mezcla de pastel cuando llene los moldes de papel para los pasteles.
5. Si va a hacer pasteles (cupcakes) le recordamos que use moldes de papel para pasteles, pero si va a hacer panecillos (muffins) puede cocinarlos con o sin moldes de papel para pasteles.
6. Si usa la máquina para pasteles sin moldes de papel para pasteles siempre asegúrese de que las planchas estén engrasadas antes de cocinar para poder remover los panecillos (muffins) con facilidad.
7. No abra la máquina para pasteles antes del tiempo de cocción recomendado puesto que esto puede afectar los resultados de cocción del pastel.
8. Los pasteles o panecillos pueden congelarse y descongelarse para uso futuro. Deje que los pasteles se enfríen completamente. Luego coloque en un contenedor hermético y congele. Los panecillos pueden envolverse individualmente y congelarse para una placentera lonchera.
9. Use un cuchillo de borde redondo o una espátula en ángulo para esparcir el glaseado fácilmente. Las espátulas en ángulo están disponibles en las tiendas de artículos para cocina.

Questions? Need help?
800-458-8407 U.S.
www.sunbeam.com

RECETAS

Mezcla Básica Rápida para Pasteles (Cupcakes)

Hace: 12

Preparación: 10 minutos

Cocción: 10-12 minutos por tanda

- 1 3/4 taza de harina preparada (con levadura)
- 3/4 taza de azúcar
- 2/3 taza de leche
- 2 huevos, batidos ligeramente
- 9 cucharadas de mantequilla sin sal, derretida, enfriada
- 1/2 cucharita de extracto de vainilla

1. Precaliente la máquina para pasteles hasta que la luz de listo se encienda
2. Combine los ingredientes en un tazón grande. Usando una batidora eléctrica bata a velocidad baja hasta que los ingredientes se mezclen. Aumente la velocidad a mediano y bata por un minuto o hasta que no hayan grumos. No bata en exceso.
3. Coloque 6 moldes de papel para pasteles en la máquina para pasteles. Llénelos hasta 3/4 con la mezcla. Cierre la tapa y cocine los pasteles por 10 a 12* minutos o hasta que al insertar un palillo en el centro éste salga limpio. Remueva cuidadosamente los pasteles de la máquina usando una espátula resistente al calor y colóquelos en una rejilla de alambre. Repita con los pasteles restantes.
4. Deje que los pasteles se enfríen antes de glasearlos con su ingrediente favorito.

Consejo: Los pasteles básicos quedan muy bien con la receta básica de glaseado de crema de mantequilla en la página 20.

Pasteles de Chocolate

Hace: 12

Preparación: 10 minutos

Cocción: 10-12 minutos por tanda

- 1 taza de harina preparada (con levadura)
- 1/2 taza de harina sin preparar (sin levadura)
- 1/3 taza de cocoa en polvo
- 3/4 taza de azúcar
- 3/4 taza de leche
- 2 huevos, batidos ligeramente
- 9 cucharadas de mantequilla, derretida, enfriada

1. Precaliente la máquina para pasteles hasta que la luz de listo se encienda
2. Cierna las harinas y la cocoa en un tazón grande. Añada los ingredientes restantes.
3. Combine los ingredientes en un tazón grande. Usando una batidora eléctrica bata a velocidad baja hasta que los ingredientes se mezclen. Aumente la velocidad a mediano y bata por un minuto o hasta que no hayan grumos. No bata en exceso.
4. Coloque 6 moldes de papel para pasteles en la máquina para pasteles. Llénelos hasta 3/4 con la mezcla. Cierre la tapa y cocine los pasteles por 10 a 12* minutos o hasta que al insertar un palillo en el centro éste salga limpio. Remueva cuidadosamente los pasteles de la máquina usando una espátula resistente al calor y colóquelos en una rejilla de alambre. Repita con los pasteles restantes.
5. Deje que los pasteles se enfríen antes de glasearlos con su ingrediente favorito.

Consejo: Los pasteles de chocolate quedan muy bien con la receta de glaseado de chocolate en la página 20.

Pasteles de Fresa

Hace: 12

Preparación: 10 minutos

Cocción: 10-12 minutos por tanda

- 1 3/4 taza de harina preparada (con levadura)
- 3/4 taza de azúcar
- 2/3 taza de leche
- 2 huevos, batidos ligeramente
- 9 cucharadas de mantequilla, derretida, enfriada
- 1 cucharita de esencia de fresa

1. Precaliente la máquina para pasteles hasta que la luz de listo se encienda
2. Combine los ingredientes en un tazón grande. Usando una batidora eléctrica bata a velocidad baja hasta que los ingredientes se mezclen. Aumente la velocidad a mediano y bata por un minuto o hasta que no hayan grumos. No bata en exceso.
3. Coloque 6 moldes de papel para pasteles en la máquina para pasteles. Llénelos hasta 3/4 con la mezcla. Cierre la tapa y cocine los pasteles por 10 a 12* minutos o hasta que al insertar un palillo en el centro éste salga limpio. Remueva cuidadosamente los pasteles de la máquina usando una espátula resistente al calor y colóquelos en una rejilla de alambre. Repita con los pasteles restantes.
4. Deje que los pasteles se enfríen antes de glasearlos con su ingrediente favorito.

Pasteles de Galletas con Crema

Hace: 12

Preparación: 10 minutos

Cocción: 10-12 minutos por tanda

- 1 1/2 taza de harina preparada (con levadura)
- 1/2 taza de azúcar
- 1/2 taza de leche
- 2 huevos, batidos ligeramente
- 7 cucharadas de mantequilla sin sal, derretida, enfriada
- 1/2 cucharita de extracto de vainilla
- 5 bizcochos o galletas (biscuits) de chocolate rellenos con crema, picados finamente

1. Precaliente la máquina para pasteles hasta que la luz de listo se encienda
2. Combine los ingredientes en un tazón grande con excepción de las galletas. Usando una batidora eléctrica bata a velocidad baja hasta que los ingredientes se mezclen. Aumente la velocidad a mediano y bata por un minuto o hasta que no hayan grumos. No bata en exceso. Revuelva las galletas.
3. Coloque 6 moldes de papel para pasteles en la máquina para pasteles. Llénelos hasta 3/4 con la mezcla. Cierre la tapa y cocine los pasteles por 10 a 12* minutos o hasta que al insertar un palillo en el centro éste salga limpio. Remueva cuidadosamente los pasteles de la máquina usando una espátula resistente al calor y colóquelos en una rejilla de alambre. Repita con los pasteles restantes.

Pasteles de Banana/Plátano

Hace: 12

Preparación: 10 minutos

Cocción: 12 minutos por tanda

2 tazas de harina preparada (con levadura)

3/4 taza de azúcar

1/4 cucharita de nuez moscada molida

1 banana/plátano, hecho puré

2 huevos, batidos ligeramente

9 cucharadas de mantequilla, derretida, enfriada

1. Precaliente la máquina para pasteles hasta que la luz de listo se encienda
2. Combine los ingredientes en un tazón grande. Usando una batidora eléctrica bata a velocidad baja hasta que los ingredientes se mezclen. Aumente la velocidad a mediano y bata por un minuto o hasta que no hayan grumos. No bata en exceso.
3. Coloque 6 moldes de papel para pasteles en la máquina para pasteles. Llénelos hasta 3/4 con la mezcla. Cierre la tapa y cocine los pasteles por 10 a 12* minutos o hasta que al insertar un palillo en el centro éste salga limpio. Remueva cuidadosamente los pasteles de la máquina usando una espátula resistente al calor y colóquelos en una rejilla de alambre. Repita con los pasteles restantes.

Consejo: Los pasteles de banana/plátano quedan muy bien con la receta de glaseado de queso crema en la página 20.

Panecillos (Muffins) de Arándanos

Hace: 12

Preparación: 10 minutos

Cocción: 14-16 minutos por tanda

1 2/3 tazas de harina preparada (con levadura)

2/3 taza de azúcar

1 huevo, batidos ligeramente

9 cucharadas de mantequilla, derretida, enfriada

1/2 taza de leche

1 taza de arándanos frescos o congelados

Azúcar en polvo/impalpable para espolvorear

1. Precaliente la máquina para pasteles hasta que la luz de listo se encienda
2. Combine los ingredientes, con excepción de los arándanos en un tazón grande. Mueva suavemente con una cuchara de madera hasta que se mezclen. Mezcle de manera envolvente los arándanos.
3. Coloque 6 moldes de papel para pasteles en la máquina para pasteles. Llénelos hasta 3/4 con la mezcla. Cierre la tapa y cocine los pasteles por 12 a 14* minutos o hasta que al insertar un palillo en el centro éste salga limpio. Remueva cuidadosamente los pasteles de la máquina usando una espátula resistente al calor y colóquelos en una rejilla de alambre. Repita con los pasteles restantes.

**Cooking time may vary depending on consistency of batter, ingredients and use or non-use of paper cupcake cups.*

GLASEADOS

Glaseado de Crema de Mantequilla

Hace: 1 3/4 de taza

Preparación: 10 minutos

9 cucharadas de mantequilla , suavizada

1 1/2 taza de azúcar en polvo

1 a 2 cucharadas de leche

1. Ponga la mantequilla en el tazón pequeño de una batidora eléctrica. Bata a velocidad media alta hasta que la mantequilla tenga un color pálido. Reduzca la velocidad y añada el azúcar y la leche gradualmente y bata hasta que quede suave.
2. Añada colorantes para comidas o esencias saborizantes para hacer su color y sabor favorito de glaseado.

Variación:

Crema de mantequilla de Chocolate: Cierna 2 a 3 cucharadas de cocoa en polvo en la mezcla del glaseado de azúcar.

Ganache de Chocolate

Hace: 1 1/2 tazas

Preparación: 15 minutos + tiempo de enfriado

1 taza de chocolate amargo de buena calidad, picado en pedazos

1/2 taza de crema

1. Combine el chocolate y la crema en una olla pequeña. Cocine removiendo a calor bajo hasta que el chocolate se derrita y la mezcla esté suave. Pase la mezcla a un tazón de vidrio y refrigere, removiendo ocasionalmente hasta que quede espesa pero que pueda ser esparcida.

Variación:

Ganache de Chocolate Blanco: Reemplace el chocolate amargo con 1 taza de chocolate blanco de buena calidad.

Ganache de Chocolate de leche: Reemplace el chocolate amargo con 1 taza gramos de chocolate de leche de buena calidad.

Glaseado de Queso Crema

Hace: 2 tazas

Preparación: 10 minutos

9 cucharadas de queso crema , suavizado

4 2/3 cucharadas de mantequilla , suavizada

1 cucharita de cáscara limón finamente rallada

1 cucharadas de jugo de limón

1 1/2 taza de azúcar en polvo

1. Ponga el queso crema, la mantequilla, el limón y la cáscara en el tazón pequeño de una batidora eléctrica. Bata a velocidad media alta hasta que quede suave.
2. Reduzca la velocidad, añada el azúcar gradualmente y bata hasta que quede suave.

Variación:

Maracuyá (Passionfruit): Reemplace el jugo y la cáscara de limón por dos cucharadas de pulpa de maracuyá.

Vainilla: Reemplace el jugo y la cáscara de limón por una cucharita de extracto de vainilla.

Garantía Limitada de 1 Año

Sunbeam Products, Inc. operando bajo el nombre de Jarden Consumer Solutions, o en Canadá, Sunbeam Corporation (Canada) Limited operando bajo el nombre de Jarden Consumer Solutions, (en forma conjunta, "JCS"), garantiza que por un período de un año a partir de la fecha de compra, este producto estará libre de defectos de materiales y mano de obra. JCS, a su elección, reparará o reemplazará este producto o cualquier componente del mismo que presente defectos durante el período de garantía. El reemplazo se realizará por un producto o componente nuevo o reparado. Si el producto ya no estuviera disponible, se lo reemplazará por un producto similar de valor igual o superior. Ésta es su garantía exclusiva. No intente reparar o ajustar ninguna función eléctrica o mecánica de este producto. Al hacerlo eliminará ésta garantía.

La garantía es válida para el comprador minorista original a partir de la fecha de compra inicial y la misma no es transferible. Conserve el recibo de compra original. Para solicitar servicio en garantía se requiere presentar un recibo de compra. Los agentes y centros de servicio de JCS o las tiendas minoristas que venden productos de JCS no tienen derecho a alterar, modificar ni cambiar de ningún otro modo los términos y las condiciones de esta garantía.

Esta garantía no cubre el desgaste normal de las piezas ni los daños que se produzcan como resultado de uso negligente o mal uso del producto, uso de voltaje incorrecto o corriente inapropiada, uso contrario a las instrucciones operativas, y desarme, reparación o alteración por parte de un tercero ajeno a JCS o a un Centro de Servicio autorizado por JCS. Asimismo, la garantía no cubre actos fortuitos tales como incendios, inundaciones, huracanes y tornados.

¿Cuál es el límite de responsabilidad de JCS?

JCS no será responsable de daños incidentales o emergentes causados por el incumplimiento de alguna garantía o condición expresa, implícita o legal.

Excepto en la medida en que lo prohíba la ley aplicable, cualquier garantía o condición implícita de comerciabilidad o aptitud para un fin determinado se limita, en cuanto a su duración, al plazo de la garantía antes mencionada.

JCS queda exenta de toda otra garantías, condiciones o manifestaciones, expresa, implícita, legal o de cualquier otra naturaleza.

JCS no será responsable de ningún tipo de daño que resulte de la compra, uso o mal uso del producto, o por la imposibilidad de usar el producto, incluidos los daños incidentales, especiales, emergentes o similares, o la pérdida de ganancias, ni de ningún incumplimiento contractual, sea de una obligación esencial o de otra naturaleza, ni de ningún reclamo iniciado contra el comprador por un tercero.

Algunas provincias, estados o jurisdicciones no permiten la exclusión o limitación de los daños incidentales o emergentes ni las limitaciones a la duración de las garantías implícitas, de modo que es posible que la exclusión o las limitaciones antes mencionadas no se apliquen en su caso.

Esta garantía le otorga derechos legales específicos y es posible que usted tenga otros derechos que varían de un estado, provincia o jurisdicción a otro.

Cómo solicitar el servicio en garantía

En los Estados Unidos

Si tiene alguna pregunta sobre esta garantía o desea recibir servicio de garantía, llame al 1.800.458.8407 y podrá obtener la dirección del centro de servicio que le resulte más conveniente.

En Canadá

Si tiene alguna pregunta sobre esta garantía o desea recibir servicio de garantía, llame al 1.800.667.8623 y podrá obtener la dirección del centro de servicio que le resulte más conveniente.

En los Estados Unidos, esta garantía es ofrecida por Sunbeam Products, Inc. operando bajo el nombre de Jarden Consumer Solutions, Boca Ratón, Florida 33431. En Canadá, esta garantía es ofrecida por Sunbeam Corporation (Canada) Limited operando bajo el nombre de Jarden Consumer Solutions, 20 B Hereford Street, Brampton, Ontario L6Y 0M1. Si usted tiene otro problema o reclamo en conexión con este producto, por favor escriba al Departamento de Servicio al Consumidor.

POR FAVOR NO DEVUELVA ESTE PRODUCTO A NINGUNA DE ESTAS DIRECCIONES NI AL LUGAR DE COMPRA.

NOTES

NOTAS
