

## TROUBLESHOOTING

### TROUBLESHOOTING

ISSUE	POTENTIAL CAUSE	POTENTIAL SOLUTION
• Fan head moves during operation.	☛ Tilt Adjustment Knob not tightened properly.	✓ Tighten Tilt Adjustment Knob by turning it clockwise after Fan Head is in desired position.
• Fan will not operate even though I am turning on the fan with the Speed Control Knob.	☛ Fan is not plugged in.	✓ Plug the power cord into a 120 V AC Outlet. Be sure the Speed Control Knob is in the off position prior to plugging in the fan.
• All Parts listed in Figure 1 are not included.	☛ Parts missing or lost.	✓ Contact our Consumer Service Department. (see Warranty section).

## WARRANTY INFORMATION

### 5 YEAR LIMITED WARRANTY

Sunbeam Products, Inc. doing business as Jarden Consumer Solutions or if in Canada, Sunbeam Corporation (Canada) Limited doing business as Jarden Consumer Solutions (collectively "JCS") warrants that for a period of five years from the date of purchase, this product will be free from defects in material and workmanship. JCS, at its option, will repair or replace this product or any component of the product found to be defective during the warranty period. Replacement will be made with a new or remanufactured product or component. If the product is no longer available, replacement may be made with a similar product of equal or greater value. This is your exclusive warranty. Do NOT attempt to repair or adjust any electrical or mechanical functions on this product. Doing so will void this warranty.

This warranty is valid for the original retail purchaser from the date of initial retail purchase and is not transferable. Keep the original sales receipt. Proof of purchase is required to obtain warranty performance. JCS dealers, service centers, or retail stores selling JCS products do not have the right to alter, modify or any way change the terms and conditions of this warranty.

This warranty does not cover normal wear of parts or damage resulting from any of the following: negligent use or misuse of the product, use on improper voltage or current, use contrary to the operating instructions, disassembly, repair or alteration by anyone other than JCS or an authorized JCS service center. Further, the warranty does not cover: Acts of God, such as fire, flood, hurricanes and tornadoes.

#### What are the limits on JCS's Liability?

JCS shall not be liable for any incidental or consequential damages caused by the breach of any express, implied or statutory warranty or condition.

Except to the extent prohibited by applicable law, any implied warranty or condition of merchantability or fitness for a particular purpose is limited in duration to the duration of the above warranty.

JCS disclaims all other warranties, conditions or representations, express, implied, statutory or otherwise.

JCS shall not be liable for any damages of any kind resulting from the purchase, use or misuse of, or inability to use the product including incidental, special, consequential or similar damages or loss of profits, or for any breach of contract, fundamental or otherwise, or for any claim brought against purchaser by any other party.

Some provinces, states or jurisdictions do not allow the exclusion or limitation of incidental or consequential damages or limitations on how long an implied warranty lasts, so the above limitations or exclusion may not apply to you.

This warranty gives you specific legal rights, and you may also have other rights that vary from province to province, state to state or jurisdiction to jurisdiction.

#### How to Obtain Warranty Service

##### In the U.S.A.

If you have any questions regarding this warranty or would like to obtain warranty service, please call 1-800-253-2764 or direct your correspondences to ATTN: Bionaire, Jarden Consumer Solutions, PO Box 3900, Peoria IL 61614. Please do not return product to this address. The PO Box listed can only receive letters or envelopes.

## WARRANTY INFORMATION

##### In Canada

If you have any questions regarding this warranty or would like to obtain warranty service, please call 1-800-253-2764 or direct your correspondences to ATTN: Bionaire, Jarden Consumer Solutions, PO Box 3900, Peoria IL 61614. Please do not return product to this address. The PO Box listed can only receive letters or envelopes.

In the U.S.A., this warranty is offered by Sunbeam Products, Inc. doing business as Jarden Consumer Solutions located in Jarden Consumer Solutions, PO Box 3900, Peoria IL 61614. In Canada, this warranty is offered by Sunbeam Corporation (Canada) Limited doing business as Jarden Consumer Solutions, located at 20 B Hereford Street, Brampton, Ontario L6Y 0M1. If you have any other problem or claim in connection with this product, please write our Consumer Service Department. **PLEASE DO NOT RETURN THIS PRODUCT TO ANY OF THESE ADDRESSES OR TO THE PLACE OF PURCHASE.**

# BIONAIRE®

pure indoor living



## OUTDOOR STAND FAN WITH MISTING KIT

MODEL: BSF1613A



## Instruction Leaflet

Read instructions before operating. Retain for future reference.

Questions? Comments? Call 1-800-253-2764 in North America or visit our website at [www.bionaire.com](http://www.bionaire.com).

© 2015 Sunbeam Products, Inc. doing business as Jarden Consumer Solutions. All Rights Reserved.

Distributed by Sunbeam Products, Inc. doing business as Jarden Consumer Solutions, Boca Raton, Florida 33431.

171948 Rev. C  
GCDS-BI038233-JC

BSF1613A-BCU\_15EM1

Printed in China

## PLEASE READ AND SAVE THESE IMPORTANT SAFETY INSTRUCTIONS

When using electrical appliances, basic safety precautions should always be taken including the following:

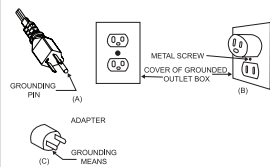
1. Read all instructions before using this appliance.
2. Use fan only for purposes described in the instruction manual.
3. To protect against electrical shock do not immerse unit, plug or cord in water or spray with liquids and plug the appliance directly into a 120V AC electrical outlet.
4. Close supervision is necessary when any appliance is used by or near children.
5. Unplug from outlet when not in use, when moving fan from one location to another, before putting on or taking off parts and before cleaning.
6. Avoid contact with moving parts.
7. Do not operate in the presence of explosive and/or flammable fumes.
8. To avoid fire hazard, NEVER place the cord under rugs or any parts near an open flame, cooking or other heating appliance.
9. Do not operate any appliance with a damaged cord or plug after the appliance malfunctions, or has been dropped/damaged in any manner. Discard fan or return to an authorized service facility for examination and/or repair.
10. Do not run cord under carpeting. Do not cover cord with throw rugs, runner, or similar coverings. Do not route cord under furniture or appliances. Arrange cord away from traffic area and where it will not be tripped over.
11. The use of attachments not recommended or sold by the appliance manufacturer may cause hazards.
12. Do not let the cord hang over the edge of a table, counter or come in contact with hot surfaces or leave exposed to high traffic areas.
13. To disconnect, grip plug and pull from wall outlet. Never yank on cord.
14. Always use on a dry, level surface.
15. Do not operate fan until fully assembled with all parts properly in place.
16. This product is intended for household use ONLY and not for commercial or industrial applications.
17. **WARNING:** To reduce the risk of electrical shock and injury to persons, do not use in window.
18. **WARNING:** To reduce the risk of fire or electric shock, do not use this fan with any solid-state speed control device.
19. This product employs overload protection (fuse). A blown fuse indicates an overload or short-circuit situation. If the fuse blows, unplug the product from the outlet. Replace the fuse as per the user servicing instructions (follow product marking for proper fuse rating) and check the product. If the replacement fuse blows, a short circuit may be present and the product should be discarded or returned to an authorized service facility for examination and/or repair.

## PLEASE READ AND SAVE THESE IMPORTANT SAFETY INSTRUCTIONS

### CONSUMER SAFETY INFORMATION

**NOTE:** This is an electrical appliance and requires attention when in use.

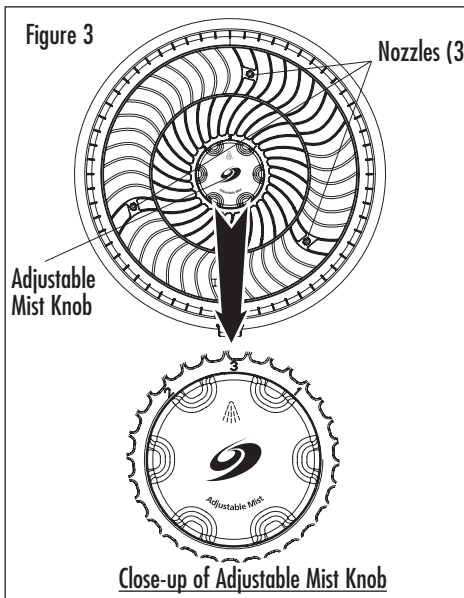
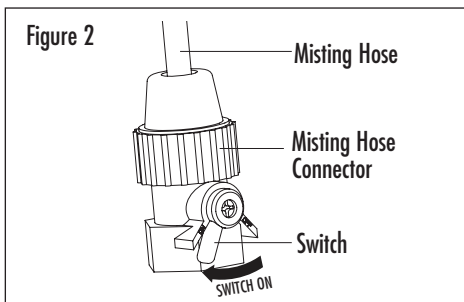
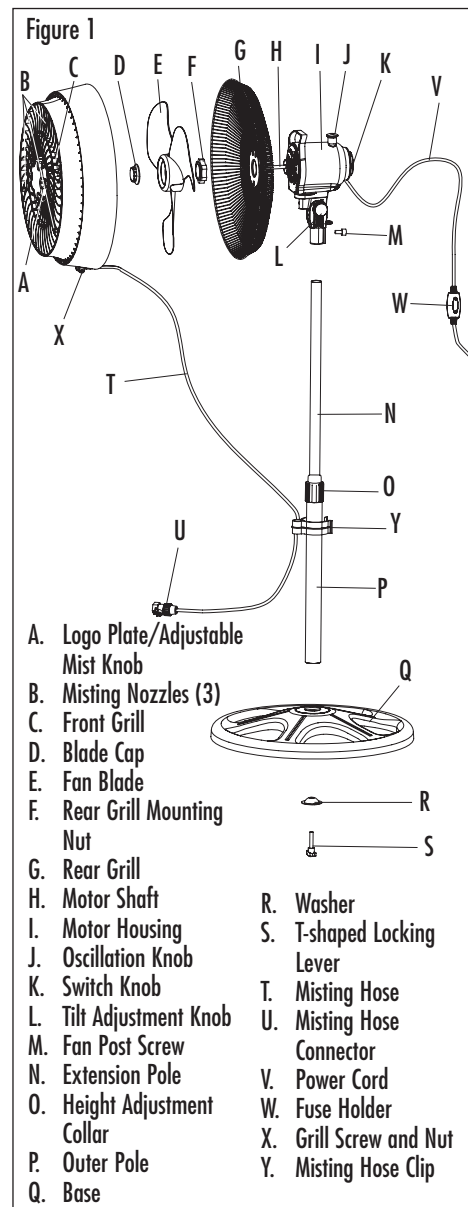
**NOTE:** THIS PRODUCT IS EQUIPPED WITH A 3-PRONG PLUG.



This product is for use on 120 volts. The cord has a plug (A) as shown. An adapter (C) (not included) is available for connecting three-blade grounding-type plugs to two-slot receptacles (B). The green grounding lug extending from the adapter must be connected to a permanent ground such as a properly grounded outlet box. The adapter should not be used if a three-slot grounded receptacle is available.

**CAUTION:** Use Only with GFCI Protected Receptacles.

## FEATURES - OPERATIONS



## FEATURES - OPERATIONS

### ASSEMBLY INSTRUCTIONS

**NOTE:** MAKE SURE YOU REMOVE ALL CONTENTS OF THE PACKAGE. PLEASE CHECK PACKAGING MATERIALS FOR PARTS THAT COULD BE REQUIRED TO OPERATE YOUR FAN.

**Tools required: Phillips head screw driver (not included)**

**Assembly time: 5–10 minutes**

1. Insert the lower end of the outer pole through the hole in the center of base and twist clockwise into position.
2. Insert the threaded end of the T-shaped locking lever into the hole of the washer and through the base.
3. Turn the T-shaped locking lever clockwise to securely attach the pole to the base.
4. Set the base on the floor.
5. Loosen fan post screw and insert the motor housing over top of extension pole. Tighten fan post screw.
6. Line up the slots of the rear grill with the notches on the motor housing assembly.
7. Secure rear grill to motor housing assembly with rear grill mounting nut. Turn clockwise to tighten.
8. Slide blade over motor shaft.
9. Secure fan blade to motor shaft with the blade cap. Turn counter-clockwise to tighten.
10. Remove the grill screw and nut located on the bottom of the grill.
11. Slide the front grill over the rear grill.
12. Replace grill screw and nut and tighten with screw driver.
13. Attach the misting hose clip onto the outer pole (see Figure 1).

### OPERATING INSTRUCTIONS

1. Set the fan on a dry and level surface.
2. Plug the cord into a standard 120 volt AC outlet.
3. The fan controls are located on the back of the Motor Housing. Select Fan Speed = 0 - Off, 3 - High, 2 - Medium, 1 - Low.
4. Push, Pull Oscillation Knob ( ) = Oscillation On, Off.

### MISTING KIT ASSEMBLY INSTRUCTIONS

1. Turn the Fan Speed Knob to the ( 0 ) position.
2. Attach the end of the Misting Hose Connector to a standard garden hose and turn on the water. Turn the switch on the connector to ON position (see figure 2).
3. Turn the Adjustable Mist Knob (see Figure 3) on front grill to open the desired number of nozzles for misting (2-3-1).
4. Turn the fan on and enjoy.

### ADJUSTMENT INSTRUCTIONS

#### Tilt Adjustment

Follow these instructions to tilt the fan head for upward angle air movement.

**STEP 1:** To change the tilting angle of the fan head; simply loosen the tilt adjustment knob.

**STEP 2:** Move the fan head to the desired angle, and firmly tighten the knob to lock in place.

#### Height Adjustment

Follow these instructions to adjust the height of the fan.

**STEP 1:** Turn the height adjustment collar counter-clockwise to loosen pole.

**STEP 2:** Adjust the extension pole to the desired height, and firmly tighten the height adjustment collar in a clockwise direction.

## CLEANING / MAINTENANCE

### CLEANING / MAINTENANCE INSTRUCTIONS

Follow these instructions to correctly and safely care for your fan.

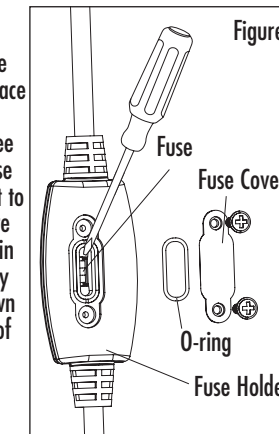
### REPLACEABLE FUSE

If your (5 Amp, 125 Volt) replaceable fuse blows, please visit our website at [www.bionaire.com](http://www.bionaire.com) for information on how to order a new fuse. Follow the below instructions to replace the fuse on the power cord.

### User Servicing Instructions

1. Unplug your fan. Grasp plug and remove from the receptacle or other outlet device. Do not unplug by pulling on cord.
2. Locate the fuse holder on the power cord. Use screwdriver to remove the fuse cover and take out the O-ring (see Figure 4).
3. Remove fuse carefully by using a small screwdriver to pry the fuse out of the compartment by the metal ends of the fuse (see Figure 4).
4. Place plug on a solid, flat surface. Insert new 5 Amp, 125 Volt fuse into fuse compartment and use a small screwdriver to secure the metal ends of the fuse into the compartment.
5. Replace the O-ring, close the fuse cover in place and secure with the 2 screws (see Figure 4). If fuse cover is difficult to close, make sure fuse is secured in place completely by pressing down on metal ends of the fuse.

6. Risk of fire. Do not replace



attachment cord/plug. Contains a safety device (fuse) that should not be removed. Discard product if the attachment cord/plug is damaged.

### FAN CLEANING

- Always unplug the fan before cleaning.
- Do not allow water to drip on or enter into fan housing.
- Be sure to use a soft cloth moistened with or without a mild soap solution.
- Do not use any of the following as a cleaner: gasoline, thinner, or benzene.

### Fan Blade Cleaning

1. To access the fan blade, remove the front grill and blade cap.
2. Clean the fan blade, front and rear grills with a soft moist cloth.
3. Replace blade, tighten blade cap, and securely fasten the front grill (see Assembly Instructions to ensure the fan blade, front and rear grills are assembled properly).

### Fan Head, Base and Pole Cleaning

Using a soft, moist cloth with or without a mild soap solution carefully clean the fan base, pole and head. Please use caution around the motor housing area. Do not allow the motor or other electrical components to be exposed to water.

### FAN STORAGE INSTRUCTIONS

- The fan comes with a cover to protect the fan head from weather as it is built to be used and stored outdoors.
- Store your fan in the original box or an appropriately sized box.
- Protect the fan head from dust.
- Store your fan in a dry location.

If you have any questions regarding your product or would like to learn more about other Bionaire® products, please contact our Consumer Service Department at 1-800-253-2764 or visit our website at [www.bionaire.com](http://www.bionaire.com). For inquiries regarding recycling and proper disposal of this product, please contact your local waste management facility.