

FEATURES - OPERATIONS

MODE SETTINGS

Once the main ON/OFF switch has been switched to ON, press the mode control button (K) on the panel or remote control:

☛ for Fan only setting

1= for continuous low heat

2= for continuous high heat

Press again for no mode operation.

THERMOSTAT

NOTE: Thermostat will operate only if the unit is on the Low (1) or High (2) heat setting.

- Press the digital thermostat button (J) on the control panel or remote enough times to activate one of the 5 preset desired temperature levels (65°F, 70°F, 75°F, 80°F and 85°F). An LED on the unit or the remote control will illuminate to show the selected setting.
- The thermostat will now maintain the selected temperature level by automatically turning the heater ON and OFF.
- If the heater cycles ON/OFF frequently select a higher preset temperature.
- To switch the digital thermostat mode off, press the digital thermostat button until the LEDs on digital thermostat setting on the control panel or remote are no longer lit.

TIMER

NOTE: Timer will work only if one of the three mode settings is used.

- Press the digital timer button (L) on the control panel or remote enough times to activate one of the 6 preset desired OFF times (2,4,6,8,10 or 12Hrs)
- The timer will now turn the unit completely off based on the selected OFF time.
- To switch the digital timer mode off, press the digital timer button until the LEDs on timer setting on the control panel or remote are no longer lit.

ENCENDIDO/APAGADO
<ol style="list-style-type: none">Gire el interruptor principal de encendido/apagado (N) a la posición de encendido (—)kPresione el control de modo (K) o el botón de intensidad de llama (M) en la unidad principal o en el control remoto para comenzar a utilizar la unidad.Si por alguna razón desea apagar la unidad, presione el botón de modo o el botón de intensidad de llama en el botón de encendido/apagado (Q) en el panel de control o control remoto de modo que no se vea ni oiga ninguna función y después gire el interruptor de encendido/apagado de la unidad principal a la posición de apagado (O).

AJUSTES DE MODO

Después de que el interruptor de encendido/apagado está en la posición de encendido, presione el botón de control de modo (K) en el panel o control remoto:

☛ para el ajuste de ventilador únicamente

1= para calor bajo continuo

2= para calor alto continuo

Presione nuevamente para desactivar la función de modo.

THERMOSTATO

NOTA: El termostato funciona únicamente si la unidad está en el ajuste de calor Bajo (1) o Alto (2).

- Presione el botón de termostato digital (J) en el panel de control o control remoto las veces que sean necesarias para activar uno de los cinco niveles preconfigurados de temperatura (65°F, 70°F, 75°F, 80°F y 85°F). Se encenderá una LED en la unidad o en el control remoto para indicar el ajuste seleccionado.
- El termostato ahora mantendrá el nivel de temperatura seleccionado encendiendo y apagando el calentador automáticamente.
- Si el calentador hace ciclos de encendido/apagado frecuentemente, seleccione una temperatura preconfigurada más alta.
- Para desactivar el modo de termostato digital, presione el botón de termostato hasta que se apaguen los LED en el ajuste de termostato digital en el panel de control o control remoto.

REEMPLAZO DE BOMBILLA

- Apague la unidad y desenchúfala de la toma de corriente.
- Espere 5 minutos hasta que la bombilla se enfríe.

TROUBLESHOOTING

CLEANING AND MAINTENANCE

- Always unplug the heater before cleaning and allow to cool.
- To clean glass use household glass cleaner.
- Lightly run a vacuum cleaner nozzle over the heater vent to remove any dust or dirt that may have accumulated.
- Carefully wipe the heater with a soft, damp cloth. Please be very cautious near the heating elements.
- After cleaning, be sure to completely dry the heater with a cloth or towel before switching on.
- Store your heater in a cool, dry location.

TROUBLESHOOTING

Flame not bright enough

- Regulate flame brightness using the flame intensity button.
- Check bulb is working and replace if necessary.

Simulated fire will not illuminate

- Check power.
- Press the flame intensity button.
- Check bulb and replace if necessary.

Unit making crackling/popping sound

- This is normal; when the unit is first used or has not been used for a while this sound is caused by dust buildup burning away.
- Please refer to Cleaning and Maintenance section for prevention.

If you have any questions regarding your product or would like to learn more about other Bionaire® products, please contact our Consumer Service Department at 1-800-253-2764 or visit our website at www.bionaire.com.

WARRANTY INFORMATION

1 YEAR LIMITED WARRANTY

Sunbeam Products, Inc. doing business as Jarden Consumer Solutions or if in Canada, Sunbeam Corporation (Canada) Limited doing business as Jarden Consumer Solutions (collectively “JCS”) warrants that for a period of one year from the date of purchase, this product will be free from defects in material and workmanship. JCS, at its option, will repair or replace this product or any component of the product found to be defective during the warranty period. Replacement will be made with a new or remanufactured product or component. If the product is no longer available, replacement may be made with a similar product of equal or greater value. This is your exclusive warranty. Do NOT attempt to repair or adjust any electrical or mechanical functions on this product. Doing so will void this warranty.

This warranty is valid for the original retail purchaser from the date of initial retail purchase and is not transferable. Keep the original sales receipt. Proof of purchase is required to obtain warranty performance. JCS dealers, service centers, or retail stores selling JCS products do not have the right to alter, modify or any way change the terms and conditions of this warranty.

This warranty does not cover normal wear of parts or damage resulting from any of the following: negligent use or misuse of the product, use on improper voltage or current, use contrary to the operating instructions, disassembly, repair or alteration by anyone other than JCS or an authorized JCS service center. Further, the warranty does not cover: Acts of God, such as fire, flood, hurricanes and tornadoes.

What are the limits on JCS’s Liability?

JCS shall not be liable for any incidental or consequential damages caused by the breach of any express, implied or statutory warranty or condition.

Except to the extent prohibited by applicable law, any implied warranty or condition of merchantability or fitness for a particular purpose is limited in duration to the duration of the above warranty.

JCS disclaims all other warranties, conditions or representations, express, implied, statutory or otherwise.

JCS shall not be liable for any damages of any kind resulting from the purchase, use or misuse of, or inability to use the product including incidental, special, consequential or similar damages or loss of profits, or for any breach of contract, fundamental or otherwise, or for any claim brought against purchaser by any other party.

Some provinces, states or jurisdictions do not allow the exclusion or limitation of incidental or consequential damages or limitations on how long an implied warranty lasts, so the above limitations or exclusion may not apply to you.

This warranty gives you specific legal rights, and you may also have other rights that vary from province to province, state to state or jurisdiction to jurisdiction.

How to Obtain Warranty Service

In the U.S.A.

If you have any question regarding this warranty or would like to obtain warranty service, please call 1-800-253-2764 and a convenient service center address will be provided to you.

In Canada

If you have any question regarding this warranty or would like to obtain warranty service, please call 1-800-253-2764 and a convenient service center address will be provided to you.

INFORMACION DE LA GARANTIA

GARANTÍA LIMITADA DE 1 AÑO

Sunbeam Products, Inc. operando bajo el nombre de Jarden Consumer Solutions, o en Canadá, Sunbeam Corporation (Canada) Limited operando bajo el nombre de Jarden Consumer Solutions, (en forma conjunta, “JCS”), garantiza que por un periodo de uno año a partir de la fecha de compra, este producto estará libre de defectos de materiales y mano de obra. JCS, a su elección, reparará o reemplazará este producto o cualquier componente del mismo que presente defectos durante el periodo de garantía. El reemplazo se realizará por un producto o componente nuevo o reparado. Si el producto ya no estuviera disponible, se lo reemplazará por un producto similar de valor igual o superior. Esta es su garantía exclusiva. No intente reparar o ajustar ninguna función eléctrica o mecánica de este producto. Al hacerlo eliminará esta garantía. La garantía es válida para el comprador minorista original a partir de la fecha de compra inicial y la misma no es transferible. Conserve el recibo de compra original. Para solicitar servicio en garantía se requiere presentar un recibo de compra. Los agentes y centros de servicio de JCS o las tiendas minoristas que venden productos de JCS no tienen derecho a alterar, modificar ni cambiar de ningún otro modo los términos y las condiciones de esta garantía. Esta garantía no cubre el desgaste normal de las piezas ni los daños que se produzcan como resultado de uso negligente o mal uso del producto, uso de voltaje incorrecto o corriente inapropiada, uso contrario a las instrucciones operativas, y desarme, reparación o alteración por parte de un tercero ajeno a JCS o a un Centro de Servicio autorizado por JCS. Asimismo, la garantía no cubre actos fortuitos tales como incendios, inundaciones, huracanes y tornados.

¿Cuál es el límite de responsabilidad de JCS?

JCS no será responsable de daños incidentales o emergentes causados por el incumplimiento de alguna garantía o condición expresa, implícita o legal.

Excepto en la medida en que lo prohíba la ley aplicable, cualquier garantía o condición implícita de comerciabilidad o aptitud para un fin determinado se limita, en cuanto a su duración, al plazo de la garantía antes mencionada. JCS queda exenta de toda otra garantías, condiciones o manifestaciones, expresa, implícita, legal o de cualquier otra naturaleza. JCS no será responsable de ningún tipo de daño que resulte de la compra, uso o mal uso del producto, o por la imposibilidad de usar el producto, incluidos los daños incidentales, especiales, emergentes o similares, o la pérdida de ganancias, ni de ningún incumplimiento contractual, sea de una obligación esencial o de otra naturaleza, ni de ningún reclamo iniciado contra el comprador por un tercero.

Algunas provincias, estados o jurisdicciones no permiten la exclusión o limitación de los daños incidentales o emergentes ni las limitaciones a la duración de las garantías implícitas, de modo que es posible que la exclusión o las limitaciones antes mencionadas no se apliquen en su caso.

Esta garantía le otorga derechos legales específicos y es posible que usted tenga otros derechos que varían de un estado, provincia o jurisdicción a otro.

Cómo solicitar el servicio en garantía

En los Estados Unidos

Si tiene alguna pregunta sobre esta garantía o desea recibir servicio de garantía, llame al 1-800-253-2764 y podrá obtener la dirección del centro de servicio que le resulte más conveniente.

En Canadá

Si tiene alguna pregunta sobre esta garantía o desea recibir servicio de garantía, llame al 1-800-253-2764 y podrá obtener la dirección del centro de servicio que le resulte más conveniente.

WARRANTY INFORMATION

In the U.S.A., this warranty is offered by Sunbeam Products, Inc. doing business as Jarden Consumer Solutions located in Boca Raton, Florida 33431. In Canada, this warranty is offered by Sunbeam Corporation (Canada) Limited doing business as Jarden Consumer Solutions, located at 20 B Hereford Street, Brampton, Ontario L6Y 0M1. If you have any other problem or claim in connection with this product, please write our Consumer Service Department. **PLEASE DO NOT RETURN THIS PRODUCT TO ANY OF THESE ADDRESSES OR TO THE PLACE OF PURCHASE.**

This warranty is valid for the original retail purchaser from the date of initial retail purchase and is not transferable. Keep the original sales receipt. Proof of purchase is required to obtain warranty performance. JCS dealers, service centers, or retail stores selling JCS products do not have the right to alter, modify or any way change the terms and conditions of this warranty.

This warranty does not cover normal wear of parts or damage resulting from any of the following: negligent use or misuse of the product, use on improper voltage or current, use contrary to the operating instructions, disassembly, repair or alteration by anyone other than JCS or an authorized JCS service center. Further, the warranty does not cover: Acts of God, such as fire, flood, hurricanes and tornadoes.

What are the limits on JCS’s Liability?

JCS shall not be liable for any incidental or consequential damages caused by the breach of any express, implied or statutory warranty or condition.

Except to the extent prohibited by applicable law, any implied warranty or condition of merchantability or fitness for a particular purpose is limited in duration to the duration of the above warranty.

JCS disclaims all other warranties, conditions or representations, express, implied, statutory or otherwise.

JCS shall not be liable for any damages of any kind resulting from the purchase, use or misuse of, or inability to use the product including incidental, special, consequential or similar damages or loss of profits, or for any breach of contract, fundamental or otherwise, or for any claim brought against purchaser by any other party.

Some provinces, states or jurisdictions do not allow the exclusion or limitation of incidental or consequential damages or limitations on how long an implied warranty lasts, so the above limitations or exclusion may not apply to you.

This warranty gives you specific legal rights, and you may also have other rights that vary from province to province, state to state or jurisdiction to jurisdiction.

How to Obtain Warranty Service

In the U.S.A.

If you have any question regarding this warranty or would like to obtain warranty service, please call 1-800-253-2764 and a convenient service center address will be provided to you.

In Canada

If you have any question regarding this warranty or would like to obtain warranty service, please call 1-800-253-2764 and a convenient service center address will be provided to you.

© 2012 Sunbeam Products, Inc. doing business as Jarden Consumer Solutions. All Rights Reserved. Distributed by Sunbeam Products, Inc. doing business as Jarden Consumer Solutions, Boca Raton, Florida 33431.

Printed In China

INFORMACION DE LA GARANTIA

En los Estados Unidos, esta garantía es ofrecida por Sunbeam Products, Inc. operando bajo el nombre de Jarden Consumer Solutions, Boca Raton, Florida 33431. En Canadá, esta garantía es ofrecida por Sunbeam Corporation (Canada) Limited operando bajo el nombre de Jarden Consumer Solutions, 20 B Hereford Street, Brampton, Ontario L6Y 0M1. Si usted tiene otro problema o reclamo en conexión con este producto, por favor escriba al Departamento de Servicio al Consumidor. **POR FAVOR NO DEVUELVA ESTE PRODUCTO A NINGUNA DE ESTAS DIRECCIONES NI AL LUGAR DE COMPRA.**

This warranty is valid for the original retail purchaser from the date of initial retail purchase and is not transferable. Keep the original sales receipt. Proof of purchase is required to obtain warranty performance. JCS dealers, service centers, or retail stores selling JCS products do not have the right to alter, modify or any way change the terms and conditions of this warranty.

This warranty does not cover normal wear of parts or damage resulting from any of the following: negligent use or misuse of the product, use on improper voltage or current, use contrary to the operating instructions, disassembly, repair or alteration by anyone other than JCS or an authorized JCS service center. Further, the warranty does not cover: Acts of God, such as fire, flood, hurricanes and tornadoes.

What are the limits on JCS’s Liability?

JCS shall not be liable for any incidental or consequential damages caused by the breach of any express, implied or statutory warranty or condition.

Except to the extent prohibited by applicable law, any implied warranty or condition of merchantability or fitness for a particular purpose is limited in duration to the duration of the above warranty.

JCS disclaims all other warranties, conditions or representations, express, implied, statutory or otherwise.

JCS shall not be liable for any damages of any kind resulting from the purchase, use or misuse of, or inability to use the product including incidental, special, consequential or similar damages or loss of profits, or for any breach of contract, fundamental or otherwise, or for any claim brought against purchaser by any other party.

Some provinces, states or jurisdictions do not allow the exclusion or limitation of incidental or consequential damages or limitations on how long an implied warranty lasts, so the above limitations or exclusion may not apply to you.

This warranty gives you specific legal rights, and you may also have other rights that vary from province to province, state to state or jurisdiction to jurisdiction.

How to Obtain Warranty Service

In the U.S.A.

If you have any question regarding this warranty or would like to obtain warranty service, please call 1-800-253-2764 and a convenient service center address will be provided to you.

In Canada

If you have any question regarding this warranty or would like to obtain warranty service, please call 1-800-253-2764 and a convenient service center address will be provided to you.

© 2012 Sunbeam Products, Inc. operando bajo el nombre de Jarden Consumer Solutions. Todos los derechos reservados. Distribuido por Sunbeam Products, Inc. operando bajo el nombre de Jarden Consumer Solutions, Boca Raton, Florida 33431.

157357 BEF6500_12ESM1 Impreso en China
GDS-BI024065-JC



BIONAIRE® HEATER CALENTADOR

MODEL/MODELO: BEF6500

Instruction Manual Manual de Instrucciones

Read instructions before operating. Retain for future reference. Lea las instrucciones antes de usarlo. Consérvelas para futuras consultas.

☛ Questions? Comments? Call 1-800-253-2764 in North America. ¿Preguntas? ¿Comentarios? Llame al 1-800-253-2764 en Norteamérica.

Printed In China



GO ONLINE NOW to

<http://www.bionaire.com/BIACLG201>

to receive a **FREE GIFT OR PROMO CODE***. It’s our “thanks” to you for being a Bionaire brand customer.

-You will also get access to special sale items & promotions on a full assortment of Bionaire® branded products.

HURRY & SIGN UP TODAY!

**While supplies last; subject to availability.*



INGRESE AHORA MISMO al sitio

<http://www.bionaire.com/BIACLG201>

para recibir un **OBSEQUIO GRATIS O UN CÓDIGO DE PROMOCIÓN***. Es nuestra manera de decirle “gracias” por ser cliente de la marca Bionaire.

-También obtendrá acceso a promociones y artículos de venta especiales de una completa variedad de productos de la marca Bionaire®.

¡APRESÚRESE Y REGÍSTRESE HOY MISMO!

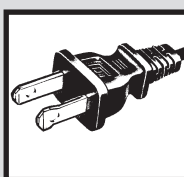
**Hasta agotar el stock; sujeto a disponibilidad*

PLEASE READ AND SAVE THESE IMPORTANT SAFETY INSTRUCTIONS

When using electrical appliances, basic safety precautions should always be followed to reduce the risk of fire, electric shock, and injury to persons, including the following:

1. Read all instructions before using this heater.
2. This heater is hot when in use. To avoid burns, do not let bare skin touch hot surfaces. If provided, use handles when moving this heater. Keep combustible materials, such as furniture, pillows, bedding, papers, clothes, and curtains at least 3 feet (0.9 m) from the front of the heater and keep them away from the sides and rear.
3. Extreme caution is necessary when any heater is used by or near children or invalids and whenever the heater is left operating and unattended.
4. Always unplug heater when not in use.
5. Do not operate any heater with a damaged cord or plug or after the heater malfunctions, has been dropped or damaged in any manner. Discard heater, or return to authorized service facility for examination and/or repair.
6. Do not use outdoors.
7. This heater is not intended for use in bathrooms, laundry areas and similar indoor locations. Never locate heater where it may fall into a bathtub or other water container.
8. Do not run cord under carpeting. Do not cover cord with throw rugs, runners, or similar coverings. Do not route cord under furniture or appliances. Arrange cord away from traffic area and where it will not be tripped over.
9. To disconnect heater, turn controls to off, then remove plug from outlet.
10. Do not insert or allow foreign objects to enter any ventilation or exhaust opening as this may cause an electric shock or fire, or damage the heater.
11. To prevent a possible fire, do not block air intakes or exhaust in any manner. Do not use on soft surfaces, like a bed, where openings may become blocked.
12. A heater has hot and arcing or sparking parts inside. Do not use it in areas where gasoline, paint, or flammable liquids are used or stored.
13. Use this heater only as described in this manual. Any other use not recommended by the manufacturer may cause fire, electric shock, or injury to persons.
14. Always plug heaters directly into a wall outlet/ receptacle. Never use with an extension cord or relocatable power tap (outlet/power strip).
15. When unplugging, be sure to pull by the plug and not the cord.
16. If the heater will not operate, see specific instructions on Auto Safety Shut-off.
17. DO NOT attempt to repair or adjust any electrical or mechanical functions on this unit. Doing so will void your warranty. The inside of the unit contains no user serviceable parts. All servicing should be performed by qualified personnel only.
18. Discontinue use if plug or outlet is hot. It is recommended that the outlet be replaced if plug or outlet is hot to touch.
19. The heater must not be located immediately below a socket-outlet. Do not use this heater in the immediate surroundings of a bath, a shower or a swimming pool.

SAVE THESE INSTRUCTIONS



THIS APPLIANCE HAS A POLARIZED PLUG (one blade is wider than the other). To reduce the risk of electric shock, this plug is intended to fit in a polarized outlet only one way. If the plug does not fit fully in the outlet, reverse the plug. If it still does not fit, contact a qualified electrician to install the proper outlet.

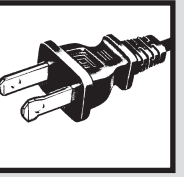
DO NOT ATTEMPT TO MODIFY THIS PLUG OR DEFEAT THIS SAFETY FEATURE IN ANY WAY.

LEA Y CONSERVE ESTAS IMPORTANTES INSTRUCCIONES DE SEGURIDAD

Para reducir el riesgo de incendios, descargas eléctricas y lesiones personales al utilizar electrodomésticos, siga siempre las precauciones básicas de seguridad, incluyendo las que se mencionan a continuación:

1. Lea todas las instrucciones antes de usar este calentador.
2. El calentador se calienta al usarlo. Para evitar quemaduras, NO toque las superficies calientes con la piel. Si existen, utilice las manijas para mover la unidad. Mantenga los materiales combustibles, como muebles, almohadones, sábanas, papeles, ropa y cortinas a por lo menos 3 pies (0.9m) de la parte delantera del calentador y manténgalos alejados de los costados y de la parte de atrás.
3. Debe tener mucho cuidado cuando el calentador es utilizado por, o cerca de niños o invalidos, y siempre que se deje el calentador prendido y desatendido.
4. Siempre desenchufe el calentador cuando no lo utilice.
5. NO utilice el calentador si el cable o el enchufe están dañados o luego de una falla, se haya caído o haya sufrido cualquier tipo de daño. Deshete el calentador o devuélvalo al centro de servicio autorizado para su revisión y/o reparación.
6. NO utilizar en el exterior.
7. Este calentador no está diseñado para ser utilizado en baños, lavaderos y zonas similares de interiores. NUNCA coloque el calentador donde pueda caerse dentro de una bañera u otro recipiente con agua.
8. No coloque el cable debajo de la alfombra. No cubra el cable con alfombras, tapetes o artículos similares. No pase el cable por debajo de muebles o electrodomésticos. Coloque el cable lejos del área de tráfico y donde no se tropiece con él.
9. Para desconectarlo, gire el control a la posición OFF, luego quite el enchufe del tomacorriente.
10. No inserte ni permita que objetos extraños penetren en la ventilación o salida de aire ya que esto puede causar un choque eléctrico o incendio, o dañar el calentador.
11. Para evitar un posible incendio, no bloquee las entradas de aire o escape de ninguna manera. No lo use en superficies blandas, como una cama, donde las aberturas se pueden bloquear.
12. Un calentador tiene partes calientes y que pueden producir chispas en su interior. NO lo utilice en áreas donde se utiliza o se guarda gasolina, pintura o líquidos inflamables.
13. Utilice este calentador sólo como se describe en este manual. Cualquier otro uso no recomendado por el fabricante puede provocar incendios, descargas eléctricas o lesiones a personas.
14. Siempre conecte el calentador directamente a un tomacorriente de pared. Nunca lo use con un cable de extensión o con un tomacorriente múltiple.
15. Al desenchufarlo, asegúrese de tirar del enchufe y no del cable.
16. Si el calentador no funciona, vea las instrucciones específicas del apagado automático de seguridad.
17. NO intente reparar o ajustar ninguna función eléctrica o mecánica de esta unidad. El hacerlo invalidará la garantía. La unidad no contiene partes reparables por el usuario. Toda reparación debe ser realizada únicamente por personal calificado.
18. Deje de usarlo si el cable o el enchufe se calienta. Se recomienda que reemplace el tomacorriente si el enchufe o el tomacorriente se calienta.
19. El calentador no se debe localizar inmediatamente debajo de un tomacorriente. No use este calentador en áreas cercanas a un baño, una ducha o una piscina.

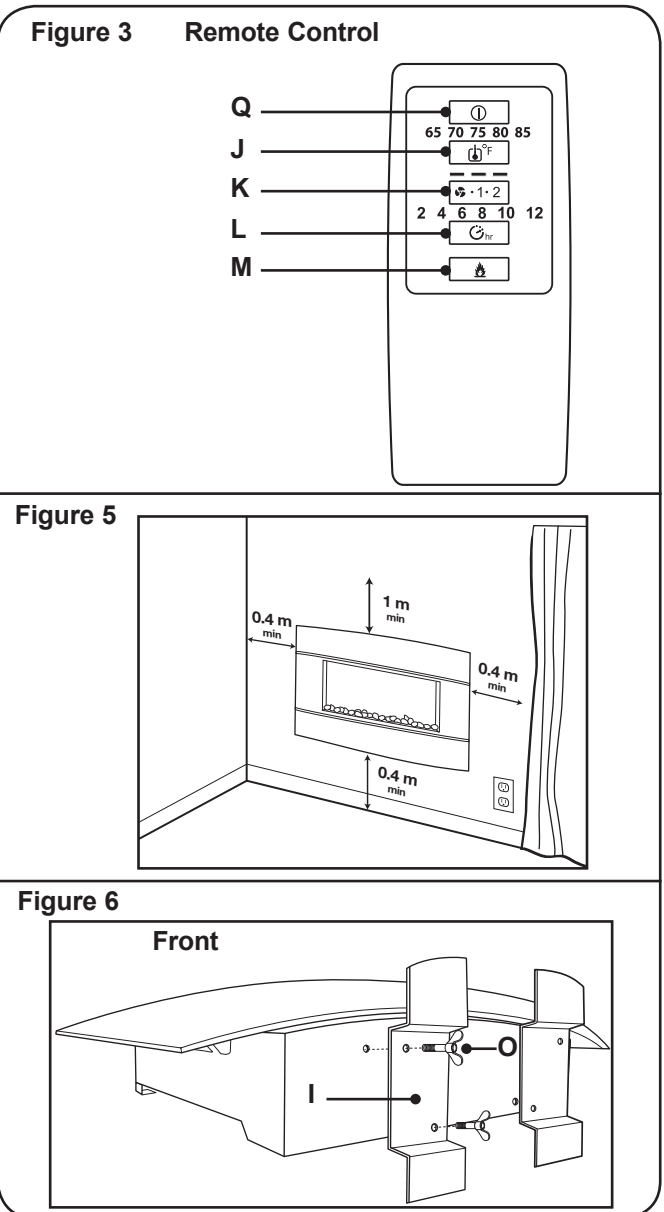
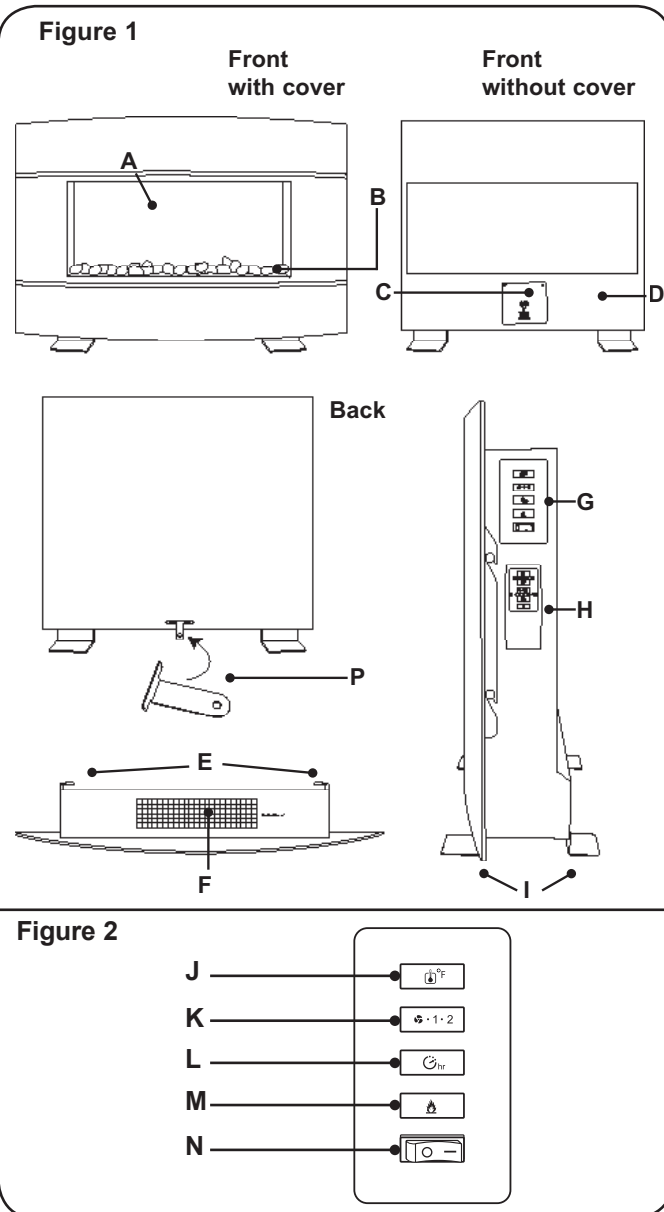
CONSERVE ESTAS INSTRUCCIONES



ESTE PRODUCTO TIENE UN ENCHUFE POLARIZADO (una hoja es más ancha que la otra). A fin de disminuir el riesgo de descarga eléctrica, este enchufe está diseñado para insertarse en un tomacorriente polarizado en un solo sentido. Si el enchufe no entra completamente en el tomacorriente, invértalo. Si aun así no entra, llame a un electricista calificado para instalar un tomacorriente apropiado.

NO MODIFIQUE EL ENCHUFE NI ANULE ESTA FUNCION DE SEGURIDAD DE NINGUNA MANERA.

ASSEMBLY INSTRUCTIONS



ASSEMBLY INSTRUCTIONS

- Base Assembly:
- Phillips Head Screwdriver
 - Wall Mount:
 - Phillips Head Screwdriver
 - Power Drill
 - 7/8" Drill Bit
 - Marking Awl
 - Transparent Masking Tape



ASSEMBLY INSTRUCTIONS

TECHNICAL SPECIFICATIONS

- Amps: 12.5
- Wattage: 1500W (+5% -10%)
- Working voltage: 120V AC/60Hz
- Bulb Type: (1) 40W Max Type G9 Bulb

Avoid overloading your circuit by not using other high wattage appliances in the same outlet. At 1500 Watts, this unit draws 12.5 Amps.

ASSEMBLY INSTRUCTIONS

Please make sure to check packaging for parts that could be used to operate your heater.

This package includes:

- 1 - Fireplace Heater
- 1 - Light bulb
- 1 - Remote Control
- 2 - AAA Batteries for Remote (not included)
- 2 - Feet
- 4 - Thumb Screws (for feet)
- 1 - Wall Mount Hardware Kit

DESCRIPTIONS (SEE FIG. 1, 2, 3, 4, & 6)

- A. Glass panel
- B. Pebbles (changeable)
- C. Light bulb access panel (contains G9 type 40W max bulb)
- D. Main housing
- E. Fixed unit mounting brackets
- F. Heat vents
- G. Control panel
- H. Remote control home
- I. Feet x 2 (removable)
- J. Digital thermostat (5 presets)
- K. Mode control
- L. Digital timer (6 presets)
- M. Flame intensity button
- N. ON/OFF switch (main unit only)
- O. Thumb screws x 4
- P. Securing bottom bracket (part not shown)
- Q. ON/OFF button remote control

ASSEMBLY INSTRUCTIONS (SEE FIG. 1-6)

Carefully remove all parts and make sure that they are all present. Ref. to Fig. 1-6.

Installing Batteries into the Remote:

Before operation, insert 2 AAA batteries (not included) into the back of the remote control.

- DO NOT mix old and new batteries
- DO NOT mix alkaline, standard (carbon-zinc), or rechargeable (nickel-cadmium) batteries
- Remove the batteries from the equipment when it is not being used for an extended period of time.
- Remove the used batteries promptly.
- Do not discard used batteries into household trash containers. Contact your local government for disposal or recycling practices in your area.

The remote control for this unit has the capability of operating all control panel functions except the mechanical ON/OFF switch (N). Please note this remote will not work through walls (See Fig. 3).

Stand Assembly (See Fig. 6):

For floor use attach the two feet assemblies (I) to the fireplace heater using the 4 thumb screws (O) provided. Gently lay the main housing (D) horizontally down without the glass panel attached. Line up each feet assembly using the metal guides and then screw in two thumb screws (O) into the corresponding holes. Place unit upright, add the pebbles (B) and then attach the glass panel by lining up the glass panel metal guides with the main housing panel pins. For wall mounting see Wall Mount Installation below.

Wall Mount Installation (See Fig. 4 & 5):

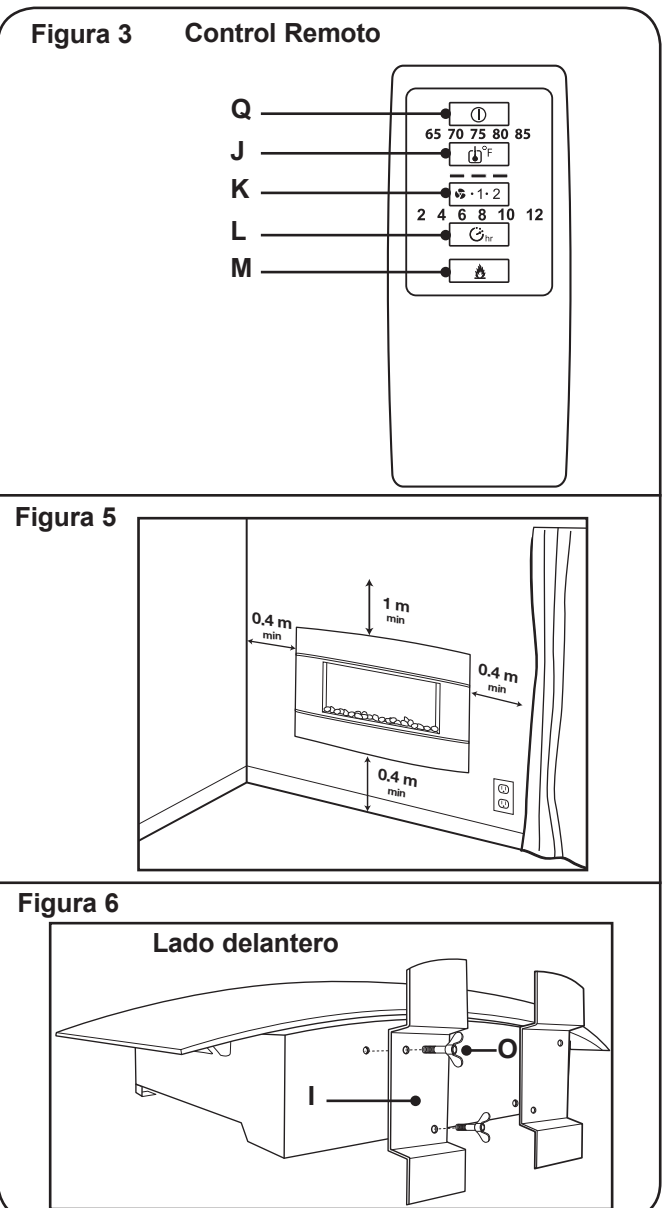
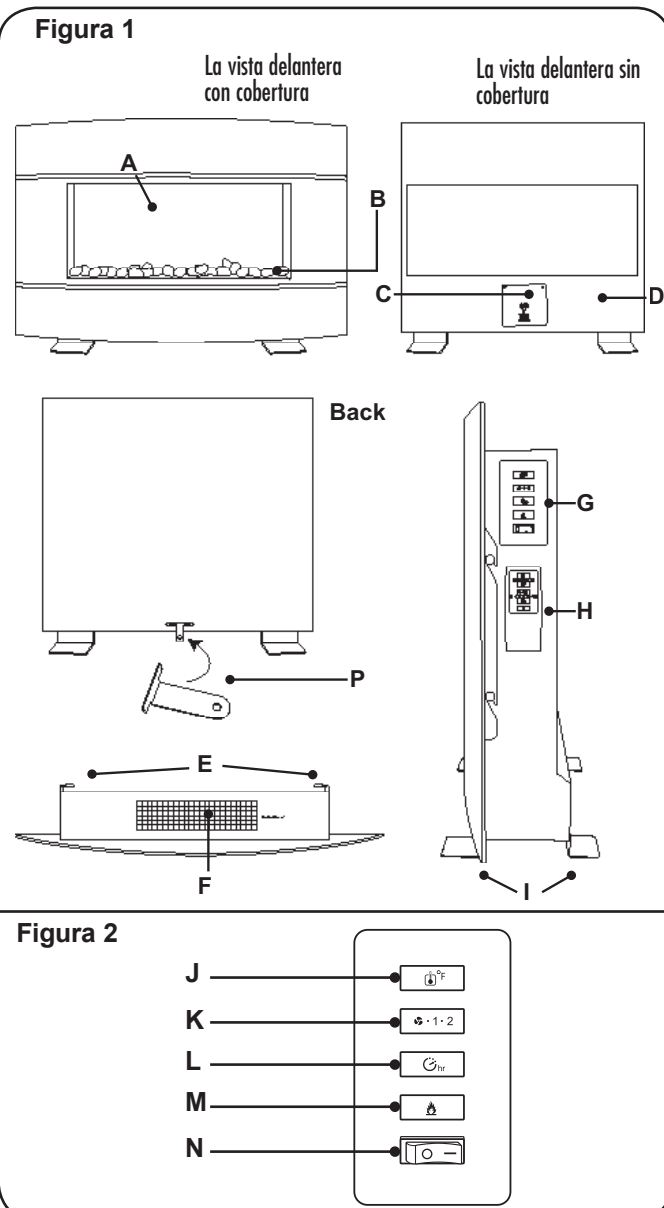
This product weighs 40 lbs. Do not install alone. The following procedure is for a dry wall installation using the provided hardware.

NOTE: If installing on a different type of wall (i.e. cavity wall) or using different hardware please consult a professional for advice on the correct way to install the unit.

IMPORTANT: Before drilling into any wall ensure no electrical cables are present in the area. Make sure you allow at least 3 feet of space on all four sides of unit.

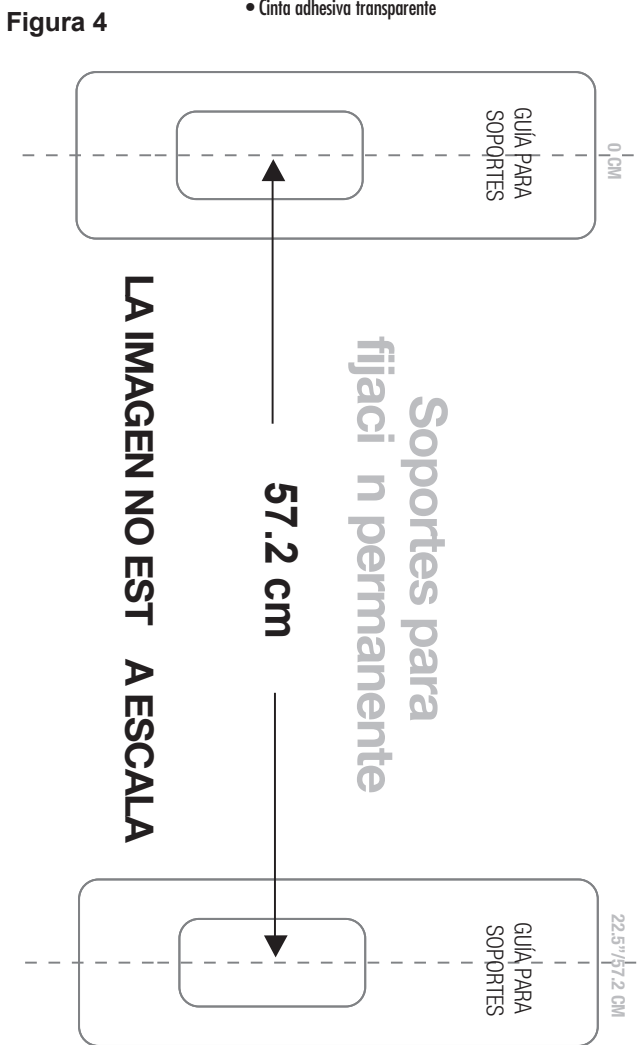
1. Turn unit off and disconnect the unit if in use.
2. Remove front glass and pebbles if installed.

INSTRUCCIONES DE INSTALACIÓN



INSTRUCCIONES DE INSTALACIÓN

- Ensamblaje base:
- Desarmador de cabeceña Phillips
 - Soporte de Pared
 - Desarmador de cabeceña Phillips
 - Taladro eléctrico
 - Broca de 7/8" (2.2 cm)
 - Punzón de marcar
 - Cinta adhesiva transparente



ESPECIFICACIONES TÉCNICAS

- Amperios: 12.5
- Potencia: 1500 W (+5% -10%)
- Voltaje de funcionamiento: 120V CA/60Hz
- Tipo de bombilla: 1 Bombilla de 40W Máximo tipo G9

No use otros aparatos de alto voltaje en el mismo tomacorriente para evitar la sobrecarga del circuito. A 1500W esta unidad jala 12.5 amperes.

Instrucciones de Ensamblaje

Por favor asegúrese de revisar que el embalaje contenga partes que puedan ser usadas para operar su calentador.

Este paquete contiene:

- 1 - Calentador Chimenea
- 1 - Bombilla de luz
- 1 - Control remoto
- 2 - baterías AAA para el control remoto (no suministradas)
- 2 - Patas
- 4 - Tornillos (para las patas)
- 1 - Un conjunto de partes para Soporte de pared

DESCRIPCIONES (vea las Figuras 1-6)

- A. Panel de vidrio
- B. Guijarros (cambiables)
- C. Panel de acceso a bombilla (incluye una bombilla de tipo G9 de 40 W máx.)
- D. Carcasa principal
- E. Soportes de montaje de unidad fija
- F. Orificios de ventilación
- G. Panel de Control
- H. Sitio de control de casa
- I. Pies x 2 (desmontables)
- J. Termóstato digital (5 ajustes preconfigurados)
- K. Control de modo
- L. Temporizador digital (6 ajustes preconfigurados)
- M. Botón de intensidad de llama
- N. Interruptor de ENCENDIDO/APAGADO (unidad principal únicamente)
- O. Tornillos de mano x 4
- P. Soporte inferior de seguridad
- Q. Botón de ENCENDIDO/APAGADO de control remoto

INSTRUCCIONES DE INSTALACIÓN (vea las Figuras 1 - 6)

Retire con cuidado todas las piezas y asegúrese de que estén todas. Consulte las Figs. 1-6.

Cómo instalar las baterías en el control remoto: Antes de utilizarlo, inserte las 2 baterías "AAA" (no suministradas) en la parte posterior del control remoto:

- NO mezcle baterías viejas con baterías nuevas.
- NO mezcle baterías alcalinas, estándares (carbón-zinc) y recargables (níquel-cadmio).
- Quite las pilas del equipo cuando no lo vaya a usar por un período de tiempo prolongado.
- Reemplace las pilas entre que estén agotadas.
- No desheche las pilas usadas en contenedores de basura de la casa. Comuníquese con el gobierno local para informarse sobre las prácticas de reciclaje o de desecho de su zona.

El control remoto de esta unidad posee la capacidad de operar todas las funciones del panel de control, salvo el interruptor mecánico de ENCENDIDO/APAGADO (N).

Por favor tenga en cuenta que este control remoto no funciona a través de paredes (vea la Fig. 3).

Ensamblaje de base (Vea la Fig. 6)

Si desea utilizar el calentador en el piso, coloque los dos ensamblajes de pie (I) del calentador usando los 4 tornillos manuales (R) suministrados. Coloque suavemente la carcasa principal (D) en posición horizontal sin el panel de vidrio. Alinee cada ensamblaje de pie utilizando las guías metálicas y después atornille los dos tornillos manuales (O) en los orificios correspondientes. Coloque la unidad en posición vertical, agregue los guijarros (B) y después coloque el panel de vidrio alineando las guías metálicas del panel de vidrio con los pasadores del panel de la carcasa principal. Si desea instalarlo en una pared, consulte la sección de Instalación en Pared presentada a continuación.

Instalación en Pared (vea las Figuras 4&5):

Este producto pesa 16.3 kg. No lo instale solo. El siguiente procedimiento corresponde a la instalación en una pared seca con los elementos de sujeción proporcionados.

NOTA: Si se instala en un tipo de pared diferente (cámara bufa) o se utiliza elementos de sujeción diferentes, por favor consulte a un profesional para solicitar asesoramiento sobre

FEATURES - OPERATIONS

3. Remove feet assemblies from main housing by unscrewing the thumb screws.
4. Decide on the position where the electric fireplace will hang on the wall. REMEMBER not to position directly above the power socket and at least 3 feet away from any objects on all sides (reference Fig. 5).
5. Mark on the wall the points between the centre of the holes on the fixed unit rear mounting brackets (E) making sure the points line up and are level (reference Fig. 4)
6. Drill into the wall using an 8mm drill bit two holes on the marked points so that you can fit the appropriate wall plugs.
7. Screw in two 4 x 35mm screws into the wall plugs, leaving 10mm of the screws out of the wall.
8. Hang the main body of the unit onto the two exposed screws by lining up the rear mounting brackets' holes.
9. Place the securing bottom bracket (P) into the rear of the unit and then use one 4x35mm screw to secure the bracket and unit to the main wall.
10. Add pebbles to the unit, then place the glass panel onto the unit by lining up the glass panel guides with the main housing pins (located on the side of the housing) and make sure the unit is secure.
11. Unit is now ready to be turned on and operated.

interference by one or more of the following measures:

- Reorient or relocate the receiving antenna.
- Increase the separation between the product and the receiver.
- Connect the product into an outlet on a circuit different from that to which the receiver is connected.
- Consult the dealer or an experienced radio/TV technician for help.
- Changes or modifications not expressly approved by the party responsible for compliance could void the user's authority to operate the equipment.

OPERATING INSTRUCTIONS

- There may be an odor coming from the heater the first time you use it. This is normal during the break-in period or after long term storage. Make sure the heater is in a well ventilated area and continue running it until the smell goes away.
- You may hear a popping or cracking sound as the heater heats up. This is normal and safe operation.
- The Fireplace Heater can be operated by using the remote control (Fig. 3) or the control panel (Fig. 2) located on the side of the unit.
- Place the heater on a firm, level surface or mount on wall.
- Avoid overloading your circuit by not using other high wattage appliances in the same outlet.

FCC STATEMENT

Potential for Radio/Television Interference

This device complies with Part 15 of the FCC Rules. Operation is subject to the following two conditions: (1) This device may not cause harmful interference, and (2) this device must accept any interference received, including interference that may cause undesired operation.

This product has been tested and found to comply with the limits for a Class B digital device, pursuant to part 15 of the FCC rules.

These limits are designed to provide reasonable protection against harmful interference in a residential installation. The product generates, uses, and can radiate radio frequency energy and, if not installed and used in accordance with the instructions, may cause harmful interference to radio communications. However, there is no guarantee that the interference will not occur in a particular installation. If the product does cause harmful interference to radio or television reception, which can be determined by turning the product on or off, the user is encouraged to try to correct the

CARACTERÍSTICAS Y FUNCIONAMIENTO

la forma correcta para instalar la unidad.

IMPORTANTE: Antes de taladrar en cualquier pared asegure que ningunos cables eléctricos sean presentes en el área. Asegúrese de dejar por lo menos 3 pies de distancia en los cuatros lados de la unidad.

1. Apague y desenchufe la unidad si está encendida.
2. Retire el vidrio frontal y los guijarros si están colocados.
3. Retire los ensamblajes de pie de la carcasa principal desatornillando los tornillos manuales.
4. Determine la posición donde colgará la chimenea eléctrica. RECUERDE que no debe colocarlo directamente arriba de una toma de corriente ni a menos de 1 metro de distancia de otros objetos en cualquier dirección (vea la Fig. 5).
5. Marque en la pared los puntos entre el centro de los orificios en los soportes de montaje posteriores de la unidad fija (E) asegurándose de que los puntos estén alineados y nivelados (vea la Fig. 4).
6. Perfore la pared utilizando una broca de 8 mm en los puntos marcados de modo que pueda encajar los taquetes de pared adecuados.
7. Atornille dos tornillos de 4 x 35 mm en los taquetes de pared, dejando 10 mm de los tornillos fuera de la pared.
8. Cuelgue el cuerpo principal de la unidad en los dos tornillos expuestos alineando los orificios de los soportes de montaje posterior.
9. Coloque el soporte inferior de seguridad (P) en la parte posterior de la unidad y después use un tornillo de 4 x 35 mm para asegurar el soporte y la unidad a la pared principal.
10. Agregue los guijarros en la unidad y después coloque el panel de vidrio alineando las guías del panel de vidrio con los pasadores de la carcasa principal (ubicados al costado de la carcasa) y asegúrese de que la unidad quede firme.
11. Ya puede encender y usar la unidad.

recibida, inclusive interferencia que pueda causar un funcionamiento no deseado.

Este producto ha sido probado y se determinó que cumple con los límites para un dispositivo digital Clase B, según la parte 15 del reglamento de la FCC.

Estos límites están diseñados para brindar protección razonable contra interferencias nocivas en una instalación residencial. El producto genera, usa, y puede irradiar energía de radiofrecuencia, y si no se lo instala y se lo usa según las instrucciones, puede causar interferencias adversas en las comunicaciones radiales. Sin embargo, no hay garantía de que la interferencia no ocurra en una instalación en particular. Si el producto causa interferencias nocivas en la recepción de radio o televisión, lo cual se puede determinar apagando y encendiendo el producto, se recomienda al usuario que intente corregir la interferencia por medio de una de las siguientes medidas:

- Reorientar o reubicar la antena receptora.
- Aumentar la separación entre el producto y el receptor.
- Conectar el producto a una salida en un circuito diferente de aquella a la cual está conectado el receptor.
- Pedir ayuda al distribuidor o a un técnico de radio/TV idóneo.
- Todo cambio o modificación que no haya sido expresamente autorizado por la parte responsable de exigir el cumplimiento podría anular la autoridad del usuario para usar el equipo.

INSTRUCCIONES DE FUNCIONAMIENTO

- La primera vez que utilice el calentador, puede sentir un olor proveniente de la unidad. Esto es normal durante el periodo de ajuste o después de un periodo de guardado prolongado. Asegúrese de que el calentador está bien ventilado y continúe usándolo hasta que el olor desaparezca.
- Puede oír un sonido chispeante o crepitante cuando el calentador se calienta. Esto sucede en el funcionamiento normal y seguro de la unidad.
- La chimenea eléctrica puede operarse con el control remoto (Fig. 3) o el panel de control (Fig. 2) ubicado en la parte superior de la unidad.
- Coloque el calentador en una superficie firme y pareja o instálelo en la pared.
- Para evitar sobrecargar su circuito, no utilice otros aparatos de alto voltaje en la misma toma de corriente.

DECLARACIÓN DE LA COMISIÓN FEDERAL DE COMUNICACIONES (FCC POR SUS SIGLAS EN INGLÉS)

Potencial de interferencias con Radio/Televisión

Este equipo cumple con la Parte 15 de las Normas de la FCC. Su funcionamiento está sujeto a las siguientes dos condiciones: (1) Este equipo no puede causar interferencia perjudicial y (2) este equipo debe aceptar toda interferencia