



For product questions contact:

Jarden Consumer Service
USA : 1.800.334.0759
Canada : 1.800.667.8623
www.oster.com

©2014 Jarden Products, Inc. doing business as
Jarden Consumer Solutions. All rights reserved.
Distributed by Sunbeam Products, Inc. doing business as
Jarden Consumer Solutions, Boca Raton, Florida 33431.

P.N. 176821
GCDS-OST36695-BB

Printed in China
CKSTGR18WC-ECO_14EM1
CKSTGR18-ECO Series



ELECTRIC GRIDDLE

User Guide



Safety



How to use



Cleaning



Warranty

www.oster.com

IMPORTANT SAFEGUARDS

When using electrical appliances, basic safety precautions should always be followed, including the following:

1. Read all instructions before using.
2. Do not touch hot surfaces. Use handles or knobs.
3. To protect against electrical shock, do not immerse TEMPERATURE CONTROL PROBE or CORD in water or other liquid.
4. This appliance is not for use by children.
5. Close supervision is necessary when any appliance is used near children.
6. Switch off and remove plug from outlet when not in use and before cleaning. Allow to cool before putting on or taking off parts, and before cleaning the appliance.
7. Do not operate any appliance with a damaged CORD or PLUG or after the appliance malfunctions or has been damaged in any manner. Return appliance to the nearest authorized Oster service facility for examination, repair or adjustment.
8. The use of accessory attachments not recommended by the manufacturer, may cause injuries.
9. Do not use outdoors.
10. Do not let CORD hang over edge of table or counter, or touch heated surfaces.
11. Do not place on or near a hot gas burner or electric burner, or in a heated oven.
12. Extreme caution must be used when moving an appliance containing hot oil or other hot liquids.
13. Always attach TEMPERATURE CONTROL PROBE to appliance first, then plug CORD into the wall outlet. To disconnect, turn TEMPERATURE CONTROL to OFF, then remove plug from wall outlet.
14. Do not use appliance for other than its intended use.
15. Please use recommended probe P/N: 178574.

**THIS UNIT IS INTENDED FOR
HOUSEHOLD USE ONLY**

These appliances are for HOUSEHOLD USE ONLY. No user-serviceable parts inside. Do not attempt to service these products. Do not immerse base in water or other liquid.

ELECTRIC POWER: If electric circuit is overloaded with other appliances, Griddle may not operate properly. Griddle must be operated on a separate circuit from other operating appliances. Do not use appliance for other than intended use.



POLARIZED PLUG

This appliance has a polarized plug, (one blade is wider than the other). As a safety feature to reduce the risk of electrical shock, this plug is intended to fit in a polarized outlet only one way. If the plug does not fit fully in the outlet, reverse the plug. If it still does not fit, contact a qualified electrician. Do not attempt to defeat this safety feature or modify the plug in any way. If the plug fits loosely into the AC outlet or if the AC outlet feels warm do not use that outlet.

EXTENSION CORD USE

A short power supply cord is provided to reduce the hazards resulting from entanglement or tripping over a longer cord. AN EXTENSION CORD MAY BE USED WITH CARE; HOWEVER, THE MARKED ELECTRICAL RATING SHOULD BE AT LEAST AS GREAT AS THE ELECTRICAL RATING OF THE APPLIANCE. The extension cord should not be allowed to drape over the counter or tabletop where it can be pulled on by children or tripped over.

SAVE THESE INSTRUCTIONS

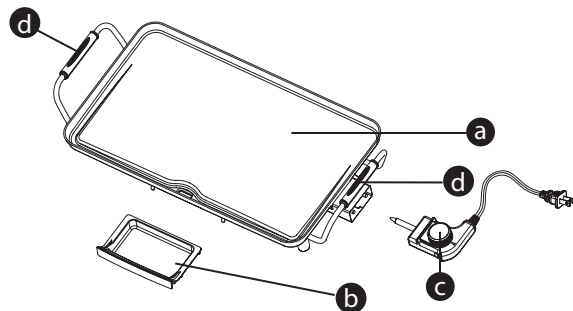
Thank you for purchasing the Oster® Electric Griddle. Before you use this product for the first time, please take a few moments to read these instructions and keep it for reference. Pay particular attention to the Safety Instructions provided. Please review the product service and warranty statements. To learn more about Oster® products, please visit us at www.oster.com or call us at 1-800-334-0759.



Congratulations on your purchase of a DuraCeramic™ appliance!

This appliance features a DuraCeramic™ non-stick natural ceramic coating which is 4X more durable than other non-stick coatings. This means there's no flaking or peeling off to worry about. Furthermore, the ultra-durable ceramic coating cooks faster than other non-stick coatings, saving time and energy. The natural DuraCeramic™ non-stick coating also offers greater health and benefits as it's free of PTFE and PFOA. 4X More Durable – DuraCeramic™!

LEARNING ABOUT YOUR ELECTRIC GRIDDLE



- a** Ceramic Non-Stick Cooking Surface
- b** Removable Drip Tray
- c** Temperature Control Probe
- d** Cool Touch Handles (one on each side)

Preparing to Use Your Electric Griddle for the First Time.

- 1 Before use, wash the Griddle and Drip Tray with warm soapy water, and dry completely.

CAUTION: Do not immerse GRIDDLE or TEMPERATURE CONTROL PROBE in water or other liquid.



HOW TO:

- 1 Insert drip tray into guides under the front of the griddle.
- 2 Turn temperature probe dial to the off position and attach securely to griddle.
- 3 Preheat the griddle by aligning the selected temperature setting on the temperature control probe knob with the indicator light. Griddle is preheated when the light on the knob goes off. The light will cycle during use, indicating the selected temperature is maintained. Guidance in the choice of temperatures is supplied later in this book.

NOTE: When cooking consecutive batches of bacon or other high fat foods, it may be necessary to empty the drip tray to avoid grease overflowing onto the countertop.

CAUTION: Grease may be hot!

CAUTION: Some countertops are sensitive to heat, use care not to place griddle on surfaces where heat may cause damage.

CAUTION: Griddle surfaces are hot during use. Allow to cool completely before handling or cleaning.

USING THE KEEP WARM SETTING

Your Oster® Griddle features a Keep Warm setting. The keep warm setting is convenient for entertaining until you're ready to serve. When your food is done cooking, simply switch the temperature dial to the keep warm setting and the griddle will maintain a low heat to keep your food warm until you are ready serve.





COOKING GUIDE

The cooking temperatures listed in this user manual are estimates. Adjust the cooking temperature slightly up or down to achieve the results you prefer.

FOOD	TEMP.	TIME	DIRECTIONS
EGGS, fried	300° F	3 to 5 min.	DO NOT PREHEAT. Turn often.
BACON	350° F	8 to 14 min.	DO NOT PREHEAT. Turn often.
SAUSAGE	350° F	20 to 30 min.	Turn halfway into cooking time.
FRENCH TOAST	350° F	6 to 10 min	Turn halfway into cooking time.
HAMBURGER	350° F	3 to 14 min.	Turn halfway into cooking time.
HAM SLICES	350° F	14 to 18 min.	Turn halfway into cooking time.
SANDWICHES	350° F	6 to 10 min.	Butter outside and brown both sides.
PORK CHOPS	350° F	20 to 30 min.	Brown both sides, reduce temp. to 250° F. Turn halfway into cooking time.
POTATOES	350° F	10 to 12 min.	Turn halfway into cooking time.
STEAKS			
Rare	400° F	4 to 6 min.	Turn halfway into cooking time.
Medium	400° F	7 to 12 min.	Turn halfway into cooking time.
Well Done	400° F	13 to 18 min.	Turn halfway into cooking time.
PANCAKES	375° F	2 to 6 min.	Pour batter onto griddle. When bubbles appear on top, turn.



CARE & CLEANING

Your DuraCeramic™ Griddle should be cleaned after every use.

1. Unplug the griddle and allow it to cool before cleaning.
NOTE: To protect the DuraCeramic™ coating, do not run cold water over cooking surface immediately after use.
2. Remove the temperature control probe. DO NOT IMMERSE TEMPERATURE CONTROL PROBE or GRIDDLE IN LIQUIDS.
3. Wipe down the cooking surface with a damp cloth and dry thoroughly. DO NOT use steel wool or other metal pads as this may scratch the surface.
4. Remove the drip tray and discard contents.
5. The griddle and drip tray are NOT dishwasher safe. You may wash them with hot soapy water, rinse and dry thoroughly.

CAUTION: TEMPERATURE CONTROL PROBE and PROBE CONNECTION must always be completely dry before use.

For proper care of your DuraCeramic™ coated griddle follow the following steps if stubborn stains appear:

1. Sprinkle some baking soda on the stained area.
2. Add enough water to moisten the baking soda, making a paste like texture.
3. Let sit for a few minutes (for tougher stains let sit up to an hour).
4. Lightly scrub with a plastic scouring pad or damp cloth, rinse and dry thoroughly.
5. Repeat if necessary.

ANY SERVICE REQUIRING DISASSEMBLY OTHER THAN THE ABOVE CLEANING MUST BE PERFORMED BY AN AUTHORIZED OSTER® SERVICE CENTER.

Questions? Please call 800.334.0759 or visit us at www.oster.com.

Should any stubborn stains appear, they will not affect the performance and non-stick quality of the DuraCeramic™ coating.

STORAGE AND MAINTENANCE

- Unplug cord and remove temperature controller. Allow appliance to cool before storing. Store your Electric Griddle in a dry location, such as on a tabletop or countertop, or on a cupboard shelf. Wind the electrical cord into a coil and secure with a twist fastener.

Other than recommended cleaning, no further user maintenance is necessary.





1 Year Limited Warranty

Sunbeam Products, Inc. doing business as Jarden Consumer Solutions or if in Canada, Sunbeam Corporation (Canada) Limited doing business as Jarden Consumer Solutions (collectively "JCS") warrants that for a period of one year from the date of purchase, this product will be free from defects in material and workmanship. JCS, at its option, will repair or replace this product or any component of the product found to be defective during the warranty period. Replacement will be made with a new or remanufactured product or component. If the product is no longer available, replacement may be made with a similar product of equal or greater value. This is your exclusive warranty. Do NOT attempt to repair or adjust any electrical or mechanical functions on this product. Doing so will void this warranty.

This warranty is valid for the original retail purchaser from the date of initial retail purchase and is not transferable. Keep the original sales receipt. Proof of purchase is required to obtain warranty performance. JCS dealers, service centers, or retail stores selling JCS products do not have the right to alter, modify or any way change the terms and conditions of this warranty.

This warranty does not cover normal wear of parts or damage resulting from any of the following: negligent use or misuse of the product, use on improper voltage or current, use contrary to the operating instructions, disassembly, repair or alteration by anyone other than JCS or an authorized JCS service center. Further, the warranty does not cover: Acts of God, such as fire, flood, hurricanes and tornadoes.

What are the limits on JCS's Liability?

JCS shall not be liable for any incidental or consequential damages caused by the breach of any express, implied or statutory warranty or condition.

Except to the extent prohibited by applicable law, any implied warranty or condition of merchantability or fitness for a particular purpose is limited in duration to the duration of the above warranty.

JCS disclaims all other warranties, conditions or representations, express, implied, statutory or otherwise.



JCS shall not be liable for any damages of any kind resulting from the purchase, use or misuse of, or inability to use the product including incidental, special, consequential or similar damages or loss of profits, or for any breach of contract, fundamental or otherwise, or for any claim brought against purchaser by any other party.

Some provinces, states or jurisdictions do not allow the exclusion or limitation of incidental or consequential damages or limitations on how long an implied warranty lasts, so the above limitations or exclusion may not apply to you.

This warranty gives you specific legal rights, and you may also have other rights that vary from province to province, state to state or jurisdiction to jurisdiction.

How to Obtain Warranty Service

In the U.S.A.

If you have any question regarding this warranty or would like to obtain warranty service, please call 1-800-334-0759 and a convenient service center address will be provided to you.

In Canada

If you have any question regarding this warranty or would like to obtain warranty service, please call 1-800-667-8623 and a convenient service center address will be provided to you.

In the U.S.A., this warranty is offered by Sunbeam Products, Inc. doing business as Jarden Consumer Solutions located in Boca Raton, Florida 33431. In Canada, this warranty is offered by Sunbeam Corporation (Canada) Limited doing business as Jarden Consumer Solutions, located at 20 B Hereford Street, Brampton, Ontario L6Y 0M1. If you have any other problem or claim in connection with this product, please write our Consumer Service Department.

PLEASE DO NOT RETURN THIS PRODUCT TO ANY OF THESE ADDRESSES OR TO THE PLACE OF PURCHASE.



