

## SERVICE INSTRUCTIONS

1. This unit has no user serviceable parts. Do NOT attempt to repair or adjust any electrical or mechanical functions on this unit. Doing so may cause injuries and void the warranty. Any servicing beyond that described in the CARE AND CLEANING section should be performed by an Authorized Service Representative only. See Warranty Section.
2. If you need to exchange the unit, please return it in its original carton, with a sales receipt, to the store where you purchased it. If you are returning the unit more than 30 days after the date of purchase, please see the enclosed Warranty.
3. If you have any questions or comments regarding this unit's operation or believe any repair is necessary, please call our Consumer Service Department at 1-800-323-9519 or visit our website at [www.crockpot.com](http://www.crockpot.com).

## 1 YEAR LIMITED WARRANTY

Sunbeam Products, Inc. or if in Canada, Newell Brands Canada ULC (collectively "Sunbeam") warrants that for a period of one year from the date of purchase, this product will be free from defects in material and workmanship. Sunbeam, at its option, will repair or replace, free of charge, this product or any component of the product found to be defective during the warranty period. Replacement will be made with a new or remanufactured product or component at no cost to the consumer. If the product is no longer available, replacement may be made with a similar product of equal or greater value. This is your exclusive warranty. Do NOT attempt to repair or adjust any electrical or mechanical functions on this product. Sunbeam reserves all rights to decline coverage if the defect or damage was caused by unauthorized components or service.

This warranty is valid for the original retail purchaser from the date of initial retail purchase and is not transferable. Keep the original sales receipt. Proof of purchase is required to obtain warranty performance. Dealers, service centers, or retail stores selling Sunbeam products do not have the right to alter, modify or any way change the terms and conditions of this warranty.

This warranty does not cover normal wear of parts or damage resulting from any of the following: negligent use or misuse of the product, use on improper voltage or current, use contrary to the operating instructions, disassembly, repair or alteration by anyone other than Sunbeam or an authorized Sunbeam service center. Sunbeam expressly excludes from this warranty and denies liability for defects or damage caused by repair or alteration by anyone other than Sunbeam or an authorized Sunbeam service center. Further, the warranty does not cover: Acts of God, such as fire, flood, hurricanes and tornadoes.

No terms of this warranty may be construed to apply to non-warranty service and maintenance. Accordingly, Sunbeam also denies liability for defects and damage caused by repair or alteration outside the terms of this warranty.

### What are the limits on Sunbeam's Liability?

Sunbeam shall not be liable for any incidental or consequential damages caused by the breach of any express, implied or statutory warranty or condition.

Except to the extent prohibited by applicable law, any implied warranty or condition of merchantability or fitness for a particular purpose is limited in duration to the duration of the above warranty.

Sunbeam disclaims all other warranties, conditions or representations, express, implied, statutory or otherwise.

Sunbeam shall not be liable for any damages of any kind resulting from the purchase, use or misuse of, or inability to use the product including incidental, special, consequential or similar damages or loss of profits, or for any breach of contract, fundamental or otherwise, or for any claim brought against purchaser by any other party.

Some provinces, states or jurisdictions do not allow the exclusion or limitation of incidental or consequential damages or limitations on how long an implied warranty lasts, so the above limitations or exclusion may not apply to you.

This warranty gives you specific legal rights, and you may also have other rights that vary from province to province, state to state or jurisdiction to jurisdiction.

### How To Obtain Warranty Service

#### In the U.S.A.

If you have any question regarding this warranty or would like to obtain warranty service, please call 1-800-323-9519 and a convenient service center address will be provided to you.

#### In Canada

If you have any question regarding this warranty or would like to obtain warranty service, please call 1-800-323-9519 and a convenient service center address will be provided to you.

In the U.S.A., this warranty is offered by Sunbeam Products, Inc. Boca Raton, Florida 33431. In Canada, this warranty is offered by Newell Brands Canada ULC, located at 20B Hereford Street, Brampton, Ontario L6Y 0M1. If you have any other problem or claim in connection with this product, please write to Consumer Service Department.

**PLEASE DO NOT RETURN THIS PRODUCT TO ANY OF THESE ADDRESSES OR TO THE PLACE OF PURCHASE.**

To register your product, please visit us online at [www.crockpot.com](http://www.crockpot.com).

© 2022 Sunbeam Products, Inc. All rights reserved. Distributed by Sunbeam Products, Inc. Boca Raton, Florida 33431.

Printed in China

P.N. NWL0001428273 Rev A  
CPSCW31\_22EM2 (US)\_GCDS-L

crockpot  
**go**<sup>™</sup>  
electric  
lunch box



## Owner's Manual

Read and Keep These Instructions

[www.crockpot.com](http://www.crockpot.com)

## IMPORTANT SAFEGUARDS


When using electrical appliances, basic safety precautions should always be followed to reduce the risk of fire, electric shock, and/or injury to persons including the following:

1. Read all instructions before using this product.
2. This appliance generates heat during use. Do not touch hot surfaces.
3. To protect against electric shock, do not place or immerse cord, plugs, or appliance in water or other liquid.
4. This appliance is not intended for use by children or by persons with reduced physical, sensory, or mental capabilities, or lack of experience and knowledge. Close supervision is necessary when any appliance is used near children. Children should be supervised to ensure that they do not play with the appliance. Keep the appliance and its cord out of reach of children.
5. Unplug from outlet when not in use, before putting on or taking off parts and before cleaning. Allow to cool before putting on or taking off parts, and before cleaning. To disconnect, unplug power cord from outlet. Do not disconnect by pulling on cord.
6. Do not operate any appliance with a damaged cord or plug or after the appliance malfunctions or has been damaged in any manner. Do not attempt to replace or splice a damaged cord. Return appliance to the manufacturer (see warranty) for examination, repair, or adjustment.
7. The use of accessory attachments not recommended by the appliance manufacturer may cause injuries.
8. Do not use outdoors or for commercial purposes.
9. Do not let cord hang over edge of table or counter or touch hot surfaces.
10. Do not place on or near wet surfaces, or heat sources such as a hot gas or electric burner, or in a heated oven.
11. Extreme caution must be used when moving an appliance containing hot oil or other hot liquids.
12. The heating base is subject to residual heat from warming cycle. Do not touch heating base immediately after removing the inner vessel.
13. Use caution when removing the inner vessel. It will be hot from heating and may cause burns. Always protect your hands with non-slip oven mitts or similar.
14. Do not use appliance for other than intended use. Misuse can cause injuries.
15. Intended for household countertop use only. Keep 6 inches (152 mm) clear from the wall and on all sides. Always use appliance on a dry, stable, level surface.
16. Avoid sudden temperature changes, such as adding refrigerated foods or cold liquids into a heated pot.
17. To protect against electrical shock and product

- damage, do not heat directly in the heating base. Heat only in the removable inner vessel provided.
18. **WARNING:** Spilled food can cause serious burns. Keep appliance and cord away from children. Never drape cord over edge of counter, never use outlet below counter, and never use with an extension cord.
  19. Always plug power cord fully into electric lunch box first (detachable cord models only), then plug cord into the wall outlet.
  20. Avoid spillage on the power cord connector.
  21. **WARNING:** Do not open the steam release valve during use. Steam can result in burns.

## SAVE THESE INSTRUCTIONS HOUSEHOLD USE ONLY

### NORTH AMERICAN MODELS WITH POLARIZED PLUGS:



**POLARIZED PLUG**

This appliance has a polarized plug (one blade is wider than the other). To reduce the risk of electric shock, this plug is intended to fit into a polarized outlet only one way. If the plug does not fit fully into the outlet, reverse the plug. If it still does not fit, contact a qualified electrician. Do not attempt to modify the plug in any way. If the plug fits loosely into the AC outlet or if the AC outlet feels warm do not use that outlet.

### POWER CORD INSTRUCTIONS:

- a) A short detachable power-supply cord is provided to reduce the risk resulting from becoming entangled in or tripping over a longer cord.
- b) Longer detachable power-supply cords or extension cords are available and may be used if care is exercised in their use.
- c) If a longer detachable power-supply cord or extension cord is used:
  - 1) The marked electrical rating of the cord set or extension cord should be at least as great as the electrical rating of the appliance;
  - 2) The cord should be arranged so that it will not drape over the countertop or tabletop where it can be pulled on by children or tripped over unintentionally; and
  - 3) If the appliance is of the grounded type, the cord set or extension cord should be a grounding-type 3-wire cord.

### NOTICES:

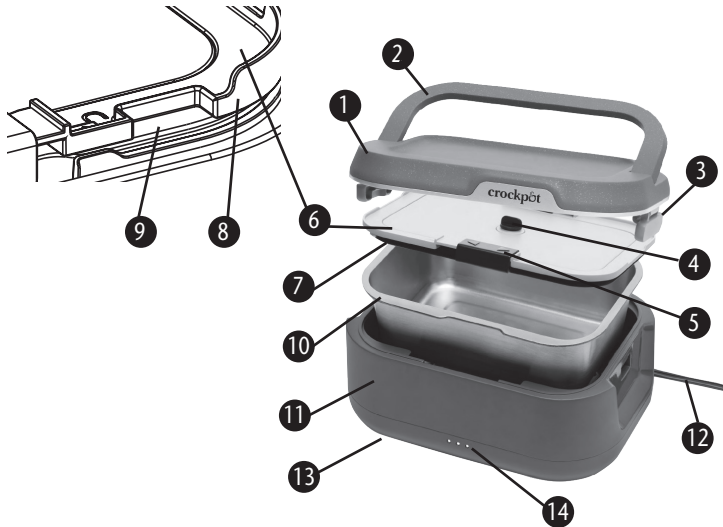
1. Some countertop and table surfaces are not designed to withstand the prolonged heat generated by certain appliances. Do not set the heated unit on a finished wood table. We recommend placing a hot pad or trivet under your unit to prevent possible damage to the surface.
2. During initial use of this appliance, some slight smoke and/or odor may be detected. This is normal with many heating appliances and will not recur after a few uses.

### PREPARING YOUR CROCKPOTGO™ ELECTRIC LUNCH BOX FOR USE

Before first use remove all packaging materials including paper inserts, stickers, and tape. Hand wash the removable food container and lid with hot soapy water and dry completely. Wipe the warming base and lid with a damp cloth and dry.


You are now ready to use your electric lunch box! Take it to work, school or even eat in the car in-between appointments. Plug in the unit whenever, and lunch will be ready when you are.

## CROCKPOTGO™ ELECTRIC LUNCH BOX



1. Outer Lid
2. Outer Lid Handle
3. Outer Lid Latches
4. Steam Vent
5. Inner Lid Locks
6. Food Container Lid
7. Lid Gasket
8. Pull Tab
9. Finger Slot
10. Food Container
11. Warming Base
12. Removable Cord
13. Cord Storage (under unit)
14. Power Light Indicator

## HOW TO USE YOUR CROCKPOTGO™ ELECTRIC LUNCH BOX

1. Fill the removable stainless steel food container with desired food and place the food container lid on. Secure the lid by sliding the inner lid locks into the lock position . If lid is unable to be locked, you have overfilled the container. Close steam vent by pushing downward.
2. Place the food container inside the warming base and secure the outer lid using latches.  
**Note:** No separate heating or microwaving will be required for refrigerated foods. For best results, warm with food container lid and outer lid secured.
3. Plug power cord into unit before plugging into a 120V outlet. Once plugged in to the outlet, all three LED lights will illuminate indicating the unit is on and warming. To turn off, unplug unit from outlet.  
**Note:** Unit will not automatically turn off and will continue to warm unless it is unplugged.
4. Your CrockpotGo™ Electric Lunch Box is not meant to warm foods rapidly. Heat times will vary depending on the type of food being warmed and the starting temperature of the food. Stirring will help to speed up the time it takes to heat the food.
5. Before opening food container, release excess steam by pulling upward on the steam vent. Use both the pull tab and finger slot to help open the food container lid.
6. Once your food has reached your desired temperature, unplug the unit and enjoy your lunch right out of your CrockpotGo™ Electric Lunch Box.  
**Note:** The unit is not designed for use with uncooked food. If a recipe calls for uncooked meats, it should be fully cooked before combining with other ingredients and heating it in the unit.  
**CAUTION:** Do not remove the inner food container from warming base while hot.

### USAGE NOTES:

- If there is a power outage and you are unaware of how long the power was out, we suggest you discard the food.
- Unplug when heating is done and before cleaning.
- Warming base, outer lid, food container and food container lid are not ovenproof or microwave safe.
- Always wear oven mitts when handling the unit.

### TIPS

- To help open the outer lid, push down on the lid while pulling up on the outer lid latches.
- Plug in your electric lunch box well in advance to desired mealtime. Heat up times will vary depending on food type.
- Food with minimum moisture content will dry out if left in the warmer for more than 4 hours.
- Stirring will not only help speed up the time it takes to warm your food but also help prevent sticking to the bottom of the inner food container.
- After initial warm up, the unit will keep your food warm unplugged up to 2 hours while it is in the warming base.
- Eating a cold meal? This unit allows cold food to stay cool up to 3 hours. You can use it as a travel container for salads, fruits and snacks.
- For meal prepping, fill the inner container with food and store in the refrigerator.
- The bottom of the warming base has cord storage for clutter free travel.

### CARE AND CLEANING

- Always unplug the unit and allow it to cool before cleaning.  
**CAUTION:** Never submerge the unit in water or other liquid.
- Remove food container, empty food contents and fill with warm soapy water to loosen food remains.
- To clean the lid gasket, remove and hand wash with warm soapy water then dry thoroughly.  
**NOTE:** When reattaching to unit, ensure gasket is secured and flat against food container lid to avoid any spills.
- To clean the food container lid, use a plastic brush to remove any food particles making sure to scrub all cracks and crevices. Pull the steam vent up to clean thoroughly and leave to dry.
- To remove any water spots or other stains, use a non-abrasive cleaner or vinegar.
- Removable food container and food container lid are dishwasher safe.
- The outer lid and outside of the warming base may be cleaned with a soft cloth and warm soapy water. Wipe dry. Do not use abrasive cleaners.

This appliance has no user serviceable parts. Any servicing beyond that described in the Cleaning Section should be performed by an Authorized Service Representative only. See warranty available online.

