



SUPPORT

At Bonaire we are committed to providing everyday solutions to make our customers' lives easier. If you have any questions or concerns about your product, please let us know. You can visit us at: www.bonaire.com



pure indoor living



AIR PURIFIER

MODEL: BAP9921

Instruction Guide

Read and save all instructions before using this appliance.

www.bonaire.com

© 2021 Sunbeam Products, Inc. All rights reserved. Distributed by Newell Rubbermaid Asia Pacific Limited, 40/F Manhattan Place, 23 Wang Tai Road, Kowloon Bay, Hong Kong. One Year Limited Warranty – see inside for details.

Printed in China

P.N. ART0000912989
BAP9921074_21EM1

IMPORTANT SAFEGUARDS

When using electrical appliances, basic safety precautions should always be followed to reduce the risk of fire, electric shock, and injury to persons. These precautions include:

READ ALL INSTRUCTIONS BEFORE USING THIS PRODUCT.

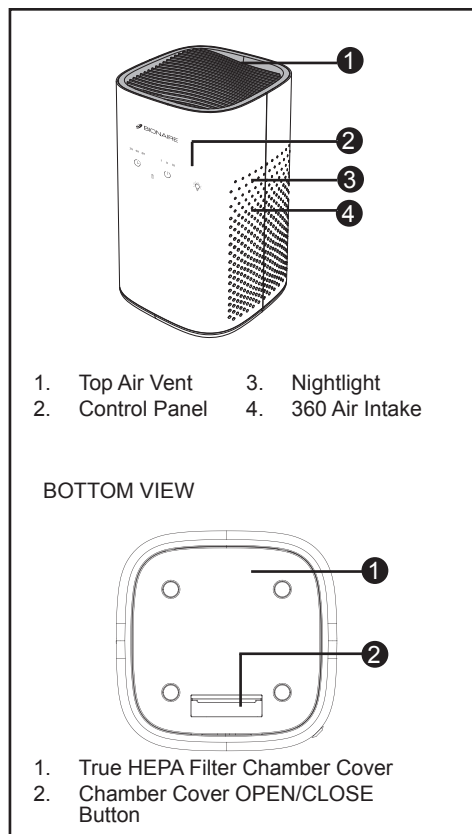
1. To avoid fire or shock hazard, plug the appliance directly into appropriate electrical outlet.
2. If the filter is covered by a bag when shipped, remove plastic bag before use and keep away from children.
3. Keep the cord out of heavy traffic areas. To avoid fire hazard, never put the cord under rugs, near heat registers, radiators, stoves, or heaters.
4. To protect against electrical hazards, do not immerse the appliance or use near water or other liquids.
5. This appliance is not intended for use by children or by persons with reduced physical, sensory, or mental capabilities, or lack of experience and knowledge, unless they have been given supervision or instruction concerning use of the appliance by a person responsible for their safety. Close supervision is necessary when any appliance is used near children. Children should be supervised to ensure that they do not play with the appliance. Keep the appliance and its cord out of reach of children.
6. Always turn the appliance off before unplugging it.
7. Always unplug the air purifier before moving or cleaning the unit, opening the filter chamber cover, changing the filter and whenever the unit is not in use. To disconnect the unit, be sure to pull the plug and not the cord.
8. Never drop or insert any objects into the openings of the unit.
9. Do not operate any appliance with a damaged cord or plug. If the motor fan fails to operate or the unit has been dropped or damaged in any manner, return appliance to manufacturer for examination and/or repair.
10. Use appliance only for intended household use as described in this manual. Any other use not recommended by the manufacturer may cause fire, electric shock, or injury to persons.
11. Do not use outdoors.
12. Never place on a soft surface such as a bed or sofa as this could cause the unit to tip over and block the air inlet or outlet grilles.
13. Keep unit away from heated surfaces and open flames.
14. Do not place anything on top of unit.
15. Never use detergents, gasoline, glass purifier, furniture polish, paint thinner or other household solvents to clean any part of the appliance.
16. This appliance should only be used in a room with temperatures between 10° C and 40° C.
17. **WARNING:** To reduce the risk of fire or electric shock, do not use this appliance with any solid-state speed control device.
18. **CAUTION:** To prevent risk of electric shock, remove cord plug from outlet before opening appliance. To prevent risk of fire, inspect and clean equipment regularly as noted in this manual.

SAVE THESE INSTRUCTIONS HOUSEHOLD USE ONLY

WELCOME TO BIONAIRE!

Thank you for letting us bring clean air into your home the way that nature intended it...

GET TO KNOW YOUR AIR PURIFIER

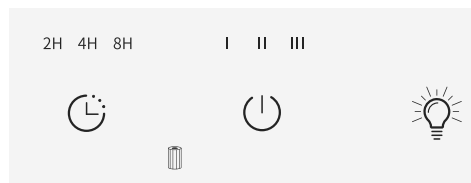


1. Top Air Vent
2. Control Panel
3. Nightlight
4. 360 Air Intake

BOTTOM VIEW

1. True HEPA Filter Chamber Cover
2. Chamber Cover OPEN/CLOSE Button

CONTROL PANEL & FEATURES



ON/OFF BUTTON

A dual function button, turns unit on or off and selects Fan Speed Settings.



FAN SPEED SETTINGS

- For optimum air filtration, it is recommended to operate the air purifier continuously on speed II (Medium). Its durable motor has been designed to last for many years.
- For less noise (such as in a bedroom), select the lowest fan speed setting I (Low).
- When high levels of air pollution are present, select speed III (High) to quickly circulate and filter the air inside the room.



TIMER

For your convenience, you can set the air filtration timer to either 2, 4, or 8 hours. Once it reaches designated selection, the unit will automatically turn off. If you want to cancel the selected timer, simply press this button anytime.



NIGHTLIGHT

The (☾) illuminates when the nightlight feature is activated.



FILTER REPLACEMENT INDICATOR

The (💡) starts blinking when it becomes time to replace the filter.

PRODUCT SPECIFICATIONS

CADR (Smoke)	165 m3/hr	Noise Level on High Speed	55dB(A) max
Fan Speeds	3	Power Consumption	35W

GETTING STARTED

1. Gently place the air purifier on its side to expose the filter chamber cover.
2. Open the cover following the instructions on How to Replace the HEPA Filter. Pull the filter out of the air purifier and remove it from its plastic bag.
3. Insert the filter back into the unit and close the cover.
4. Your unit is equipped with a True HEPA filter that will last for approximately 12 months.

OPERATING INSTRUCTIONS

1. Place the unit on a dry, stable and firm surface. Make sure not to block the top air vent and air intake grille.
2. Plug unit into appropriate electrical outlet.
3. Select your desired fan speed setting: III (Hi), II (Medium) and I (Low) by pressing the ON/OFF (⏻) button to go through the varying speeds until it reaches your desired speed setting.
4. Note: For optimum air filtration, it is recommended to operate the unit continuously on speed II (Medium). Its heavy-duty motor was designed to last for many years.
5. **Important:** Always turn off and unplug the unit when not in use.

MAINTENANCE AND PRODUCT CARE

Before cleaning the air purifier, turn it off and unplug it first.

Clean the exterior surface with a clean, damp cloth.

The top air vent can be cleaned of dust with a small, soft brush.

If you would like to clean the inside of the filter compartment, ONLY use a dry, soft cloth to wipe it down.

WARNING: Do not allow moisture to come into contact with the main housing of the air purifier.

NEVER use detergents, gasoline, furniture polish, paint thinner, or other household solvents to clean any part of the appliance.

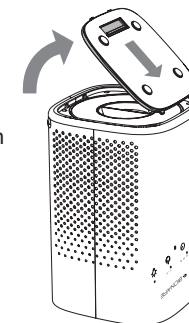
HOW TO REPLACE THE HEPA FILTER

It is recommended to replace the True HEPA filter every 8-12 months.

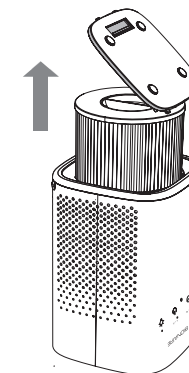
1. The Filter Replacement Indicator light (💡) starts blinking when it is time to replace the filter, turn the unit off and unplug the air purifier. Replace the HEPA filter with a new one.

2. To replace:

1. Gently place the air purifier on its side to expose the filter chamber cover. Push the Button toward arrow direction to unlock and open the cover.



2. Pull the used HEPA filter out and insert a new one.



3. Close and lock the cover. Place the air purifier on a flat surface.
4. Plug the unit into a power socket. Reset the Filter Replacement Indicator by pressing and holding the On/Off (⏻) and Timer (⌚) buttons simultaneously for 3 seconds until you hear a beep.

*Replacement filter (BAPF9921) can be purchased through local service centre.

TROUBLESHOOTING

Problem	Solution
Why is my unit not working?	<ul style="list-style-type: none">✓ Check if the unit is properly plugged in and that the outlet is working.✓ Make sure that the unit is turned ON.✓ Make sure that the filter is properly installed.
Why is there a decrease in air flow?	<ul style="list-style-type: none">✓ Make sure that nothing is blocking air intake grille and filtered air outlet.✓ Check the condition of the filter and replace it if necessary.✓ Check the filter and remove any plastic wrapping/packaging.
Why is the unit making a loud noise?	<ul style="list-style-type: none">✓ Make sure that the unit is firmly positioned in place.✓ Open the filter chamber cover and verify that any plastic packaging was removed from the filter.

WARRANTY INFORMATION ONE (1) YEAR LIMITED WARRANTY

The Air Purifier is covered a Limited Warranty for one (1) year from its date of purchase from faulty material or factory workmanship defect.

The warranty conditions applicable to this product are set out by our representatives in the country of Sale. Details of the warranty may be obtained from the dealer from whom the unit was purchased. Please note that a proof of purchase will be required for any warranty claims.

Any alteration, accident or operation which is not in accordance with standard electrical codes, usage that does not conform with the prescribed instructions that are set forth in this manual, Acts of God or lapsed warranty period will automatically VOID any claims being made against the Limited Warranty.