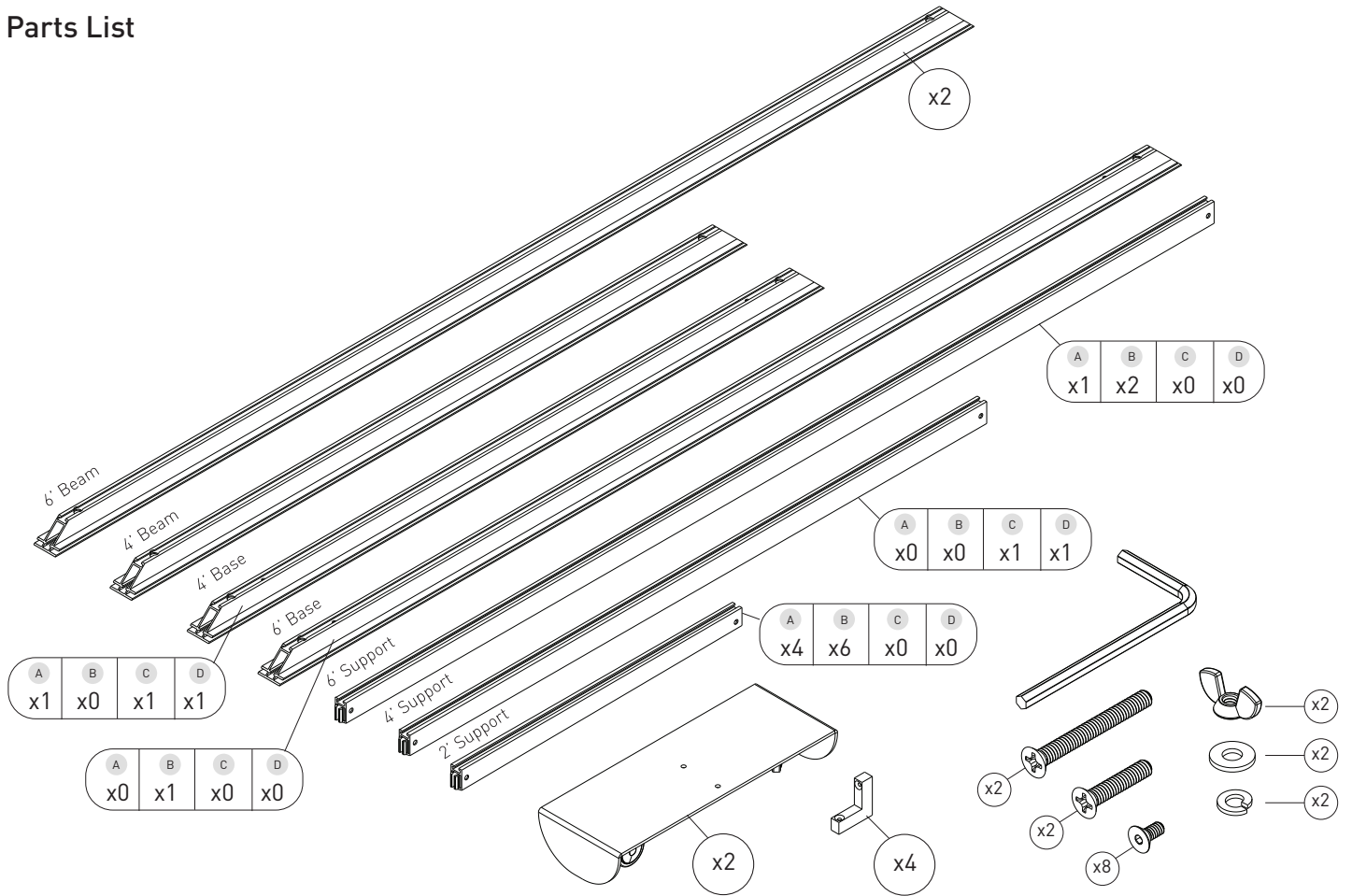
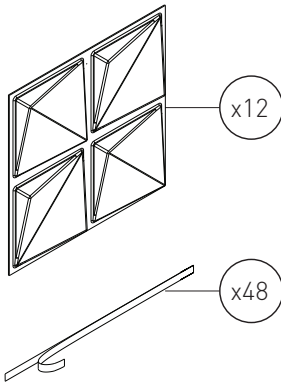


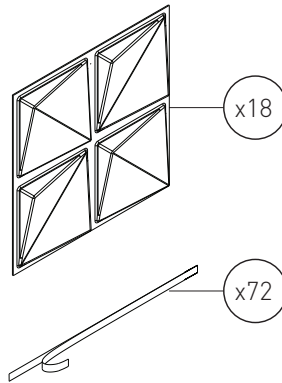
Parts List



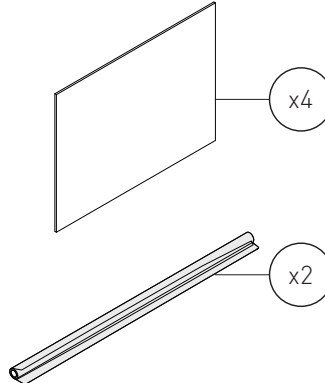
A Tile Assembly 4' x 6'



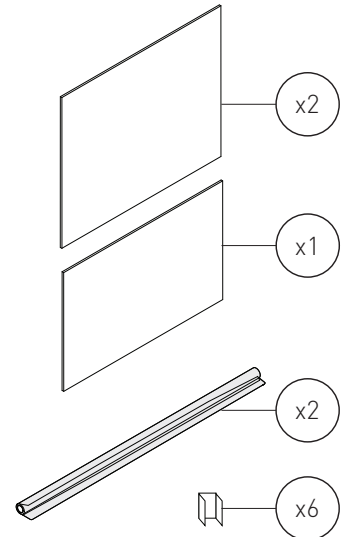
B Tile Assembly 6' x 6'



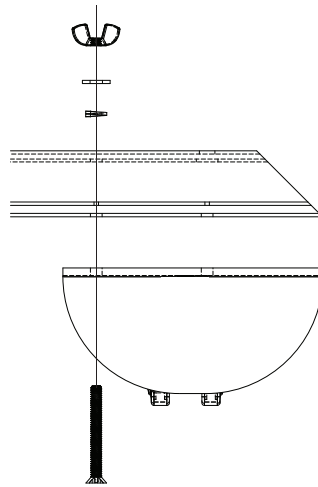
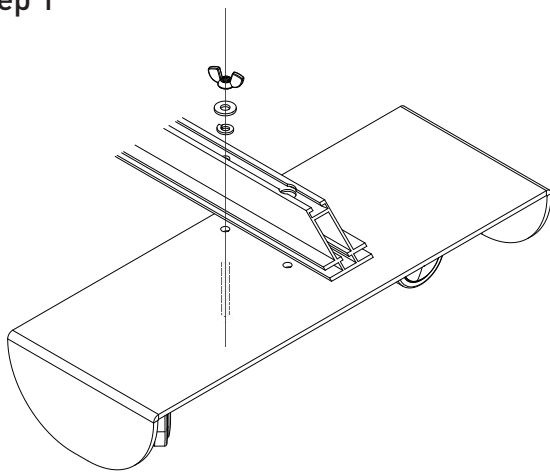
C Textile Assembly 4' x 6'



D Acoustic Batting 4' x 6'

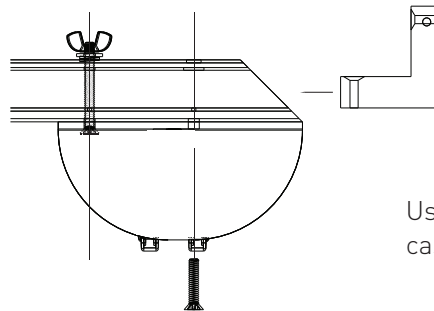
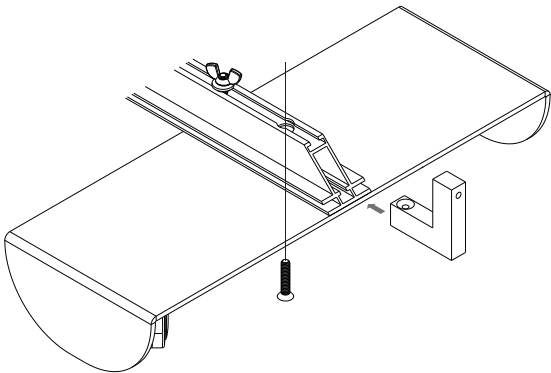


Step 1



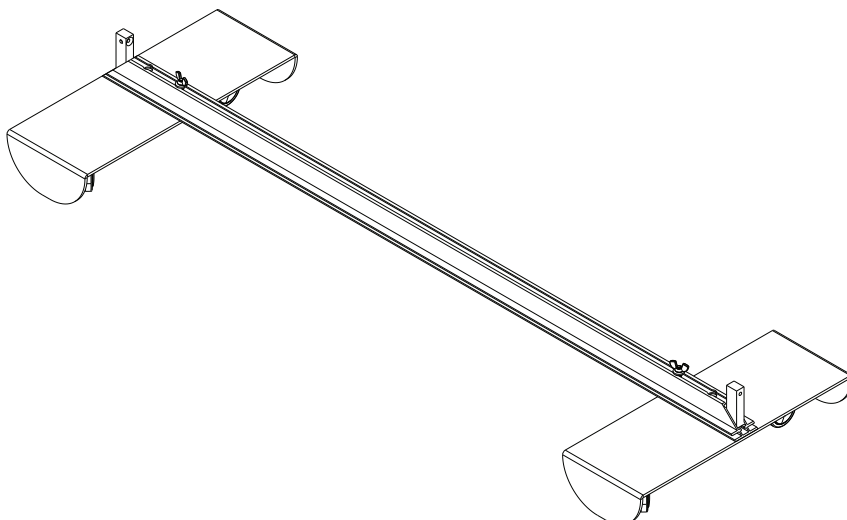
Align and secure the short extrusion with four holes at the bottom to the caster base using the long screw, wingnut and washers.

Step 2



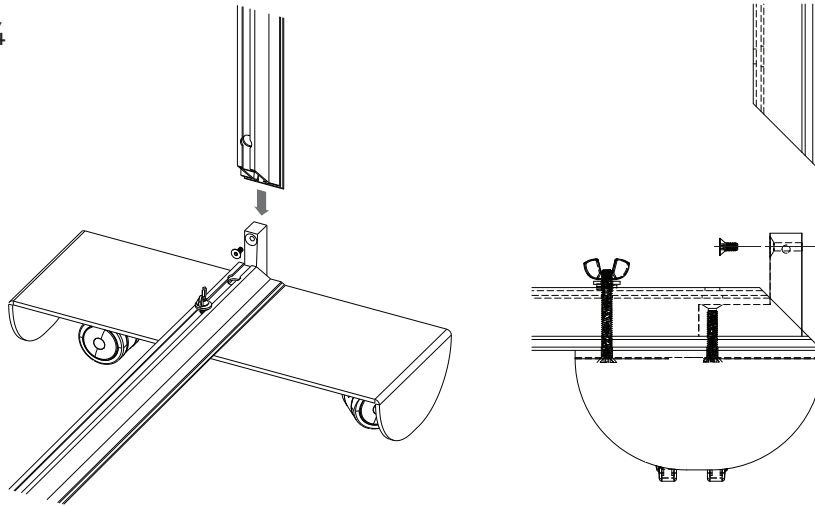
Use the shorter screw to secure the caster base into the threads in the frame.

Step 3



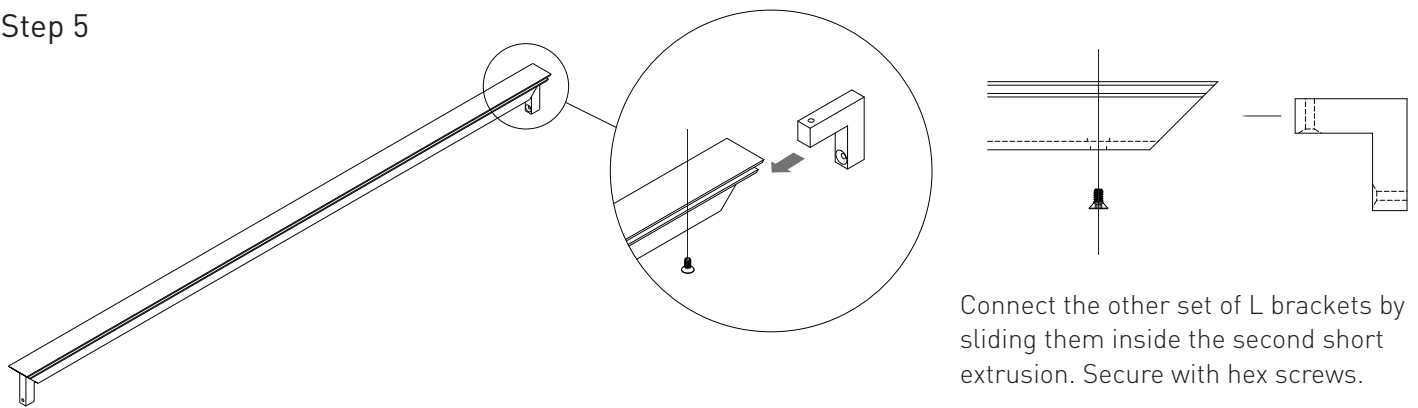
Repeat step 2 so that the bases are securely attached.

Step 4



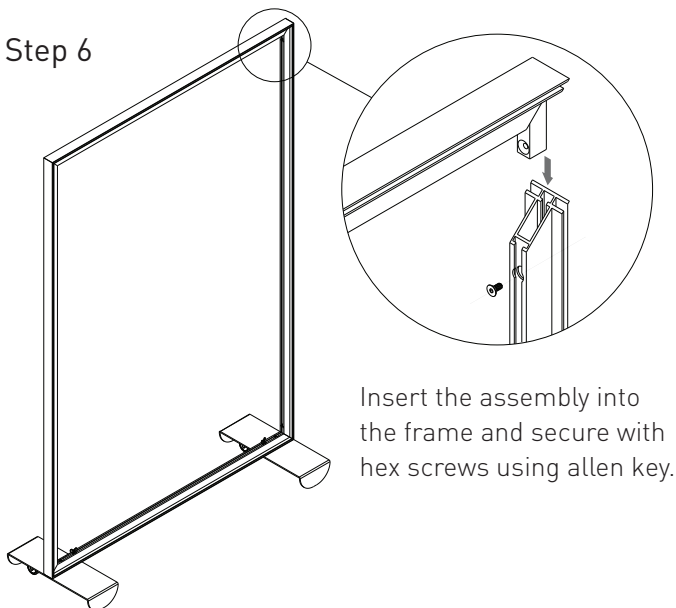
Insert the long vertical extrusion and secure with the hex screw and allen key. Repeat this step on the other side.

Step 5



Connect the other set of L brackets by sliding them inside the second short extrusion. Secure with hex screws.

Step 6



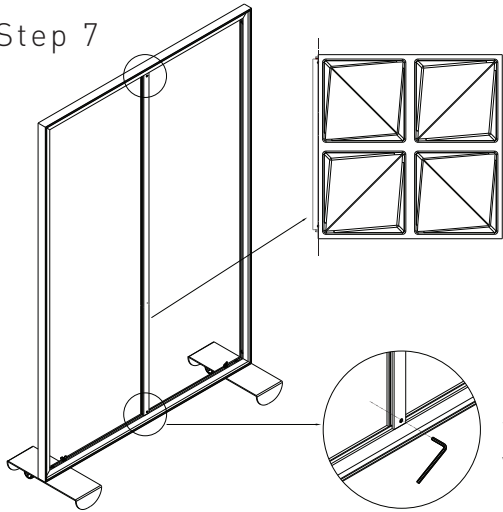
Insert the assembly into the frame and secure with hex screws using allen key.

NOTE

Shift Wall assemblies with FeltForms Tiles continue on the next page. Assemblies with tackable surfaces and textiles continue on last page.

SHIFT WALLS (TILES-4x6)

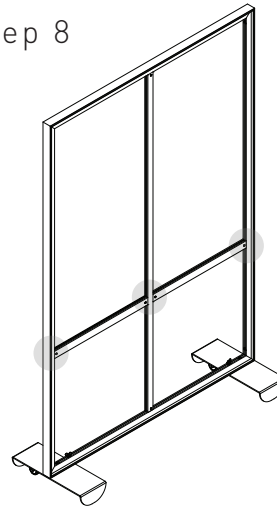
Step 7



Use a tile to center align vertical support.

Use allen key to secure the vertical support.

Step 8

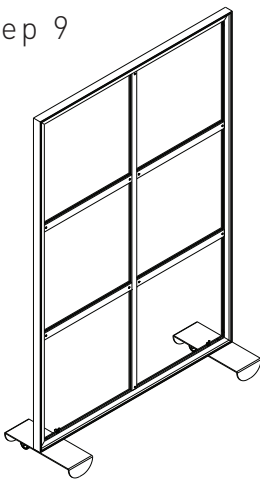


Insert one of the shorter horizontal supports and secure with hex screws using allen key.

NOTE:

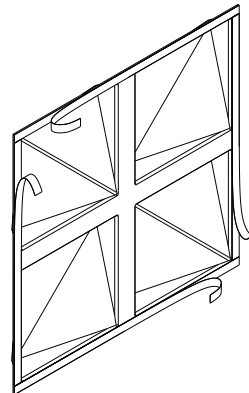
All hardware should be facing the same side.

Step 9



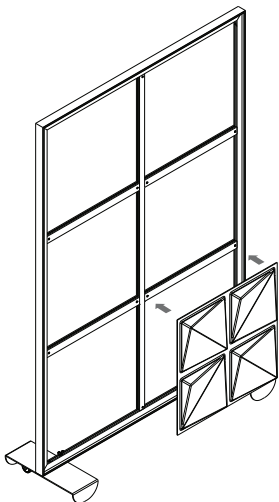
Assemble subsequent rows of horizontal supports.

Step 10



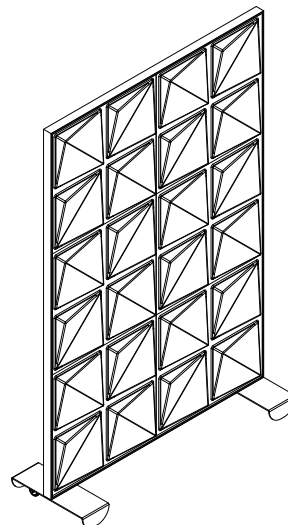
Apply the included tape to the perimeter of the tile. Press tape firmly and repeatedly onto tile before removing liner.

Step 11



Apply tiles starting at the corner. Press tiles firmly and repeatedly against the frame to ensure proper adhesion.

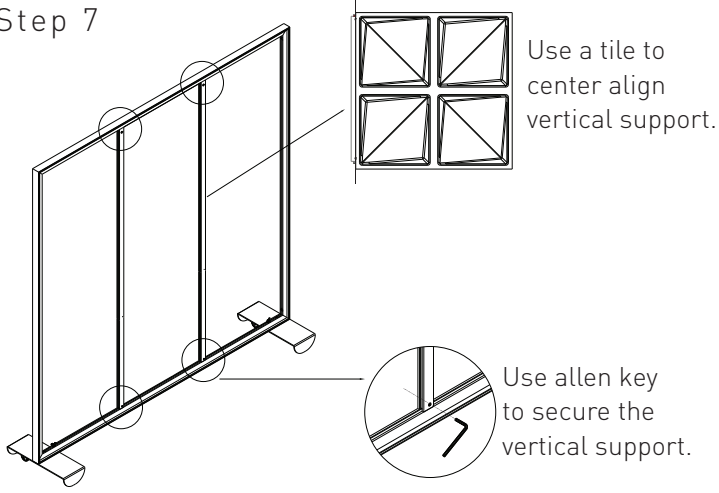
Step 12



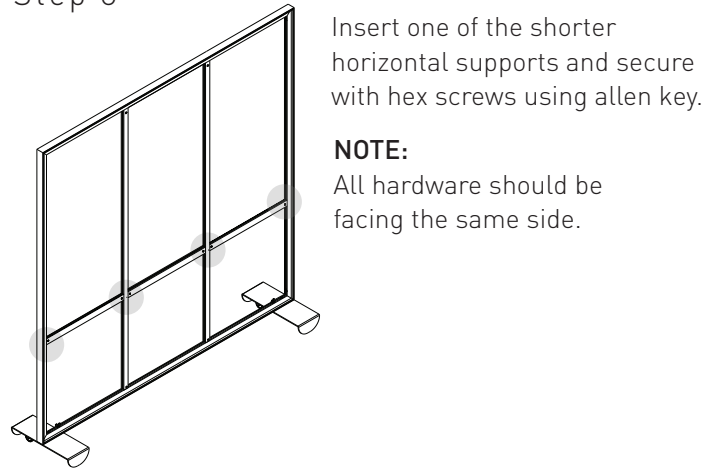
Repeat Step 11 on the other side of the frame.

SHIFT WALLS (TILES-6X6)

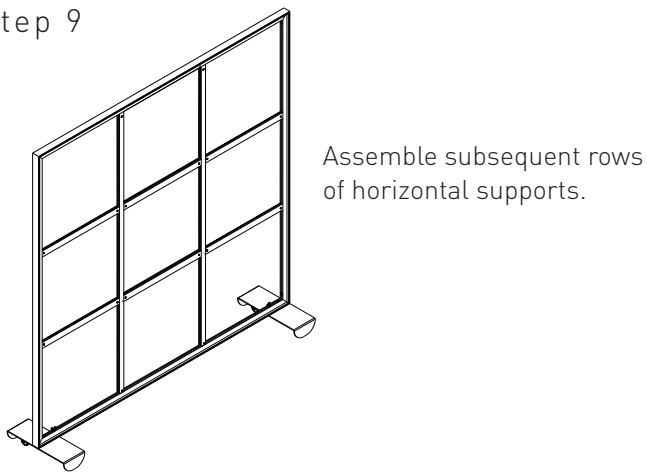
Step 7



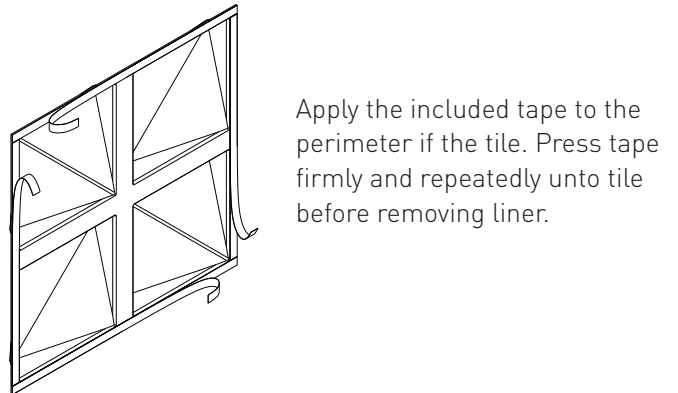
Step 8



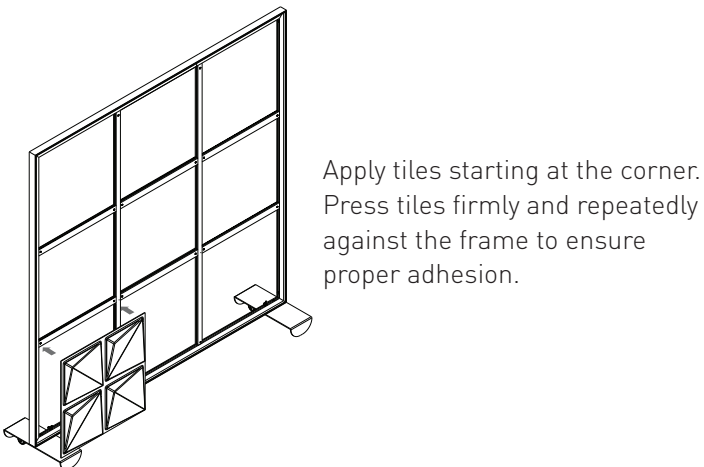
Step 9



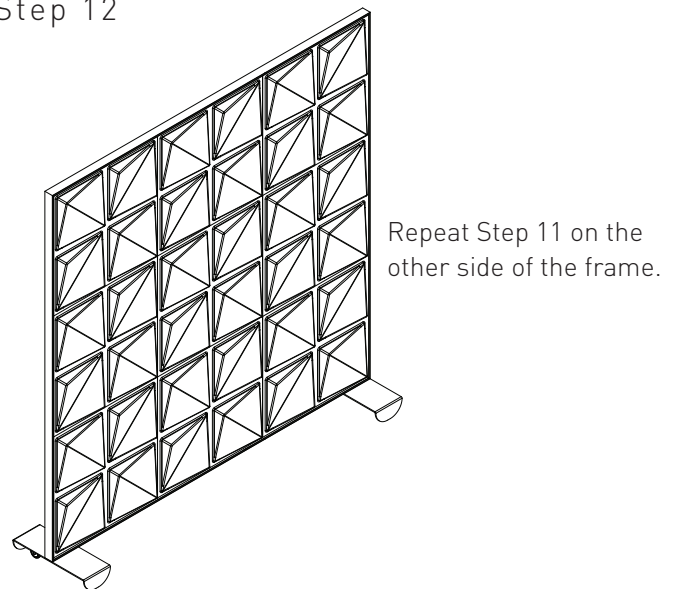
Step 10



Step 11

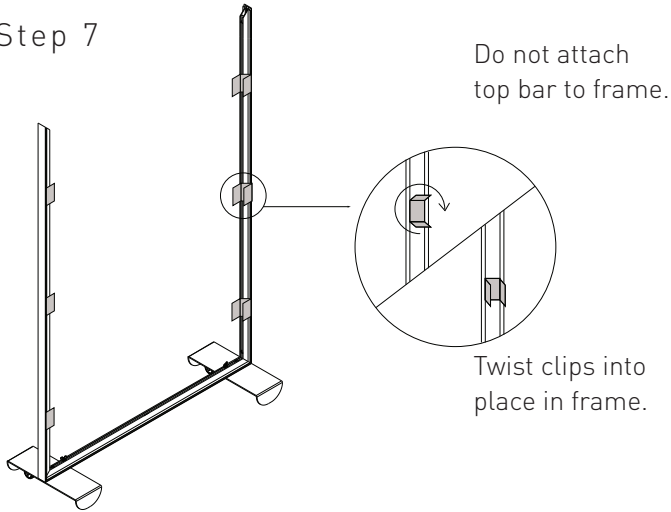


Step 12

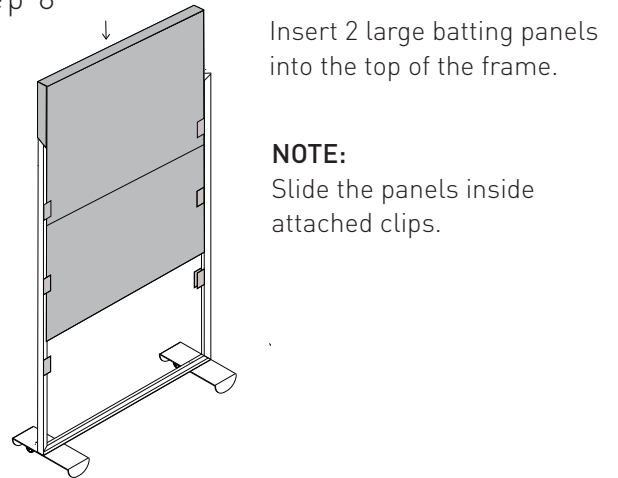


SHIFT WALLS (BATTING)

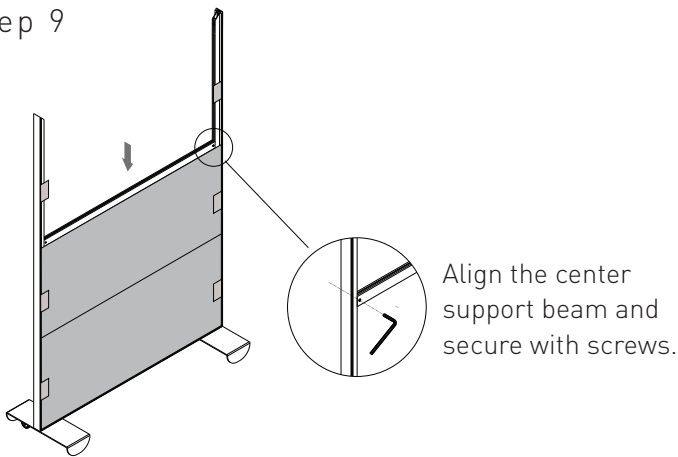
Step 7



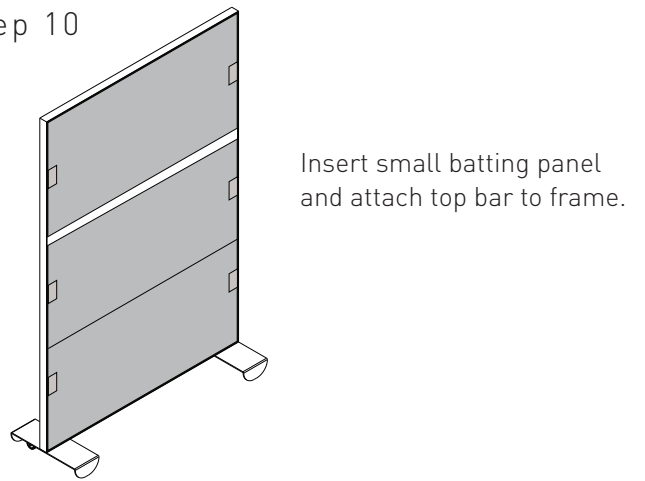
Step 8



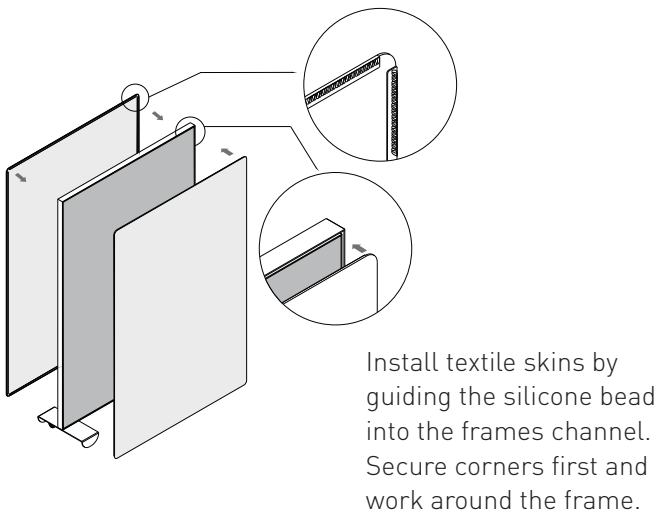
Step 9



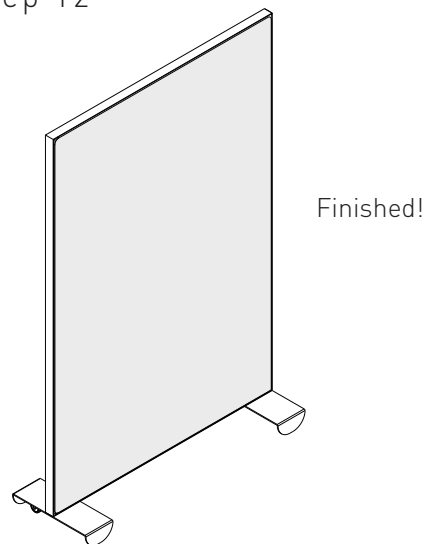
Step 10



Step 11

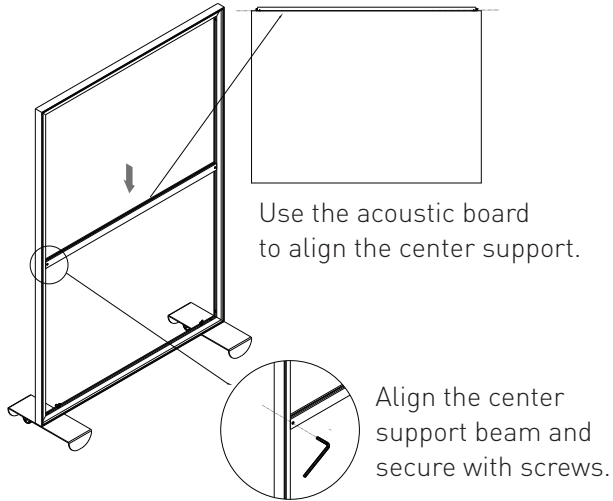


Step 12

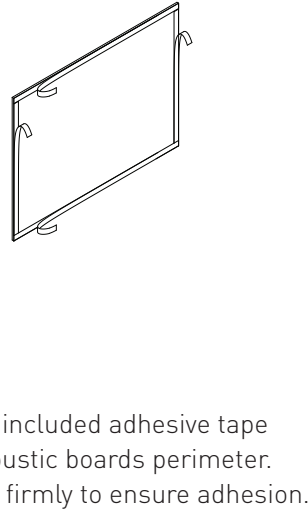


SHIFT WALLS (TEXTILES)

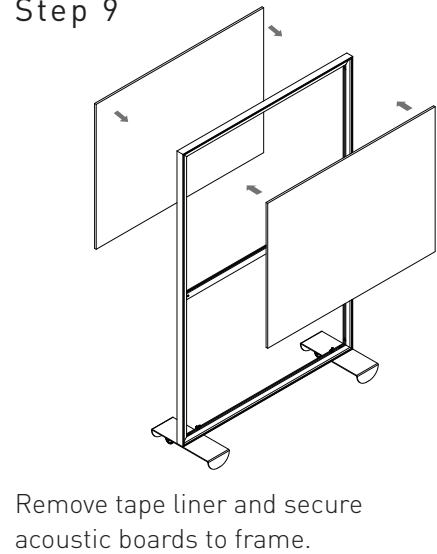
Step 7



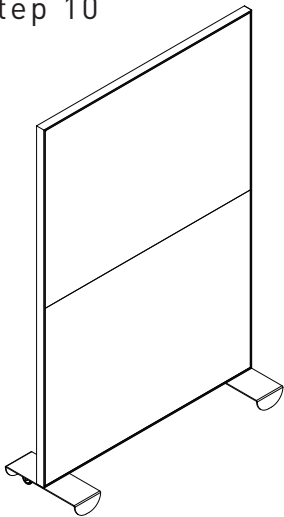
Step 8



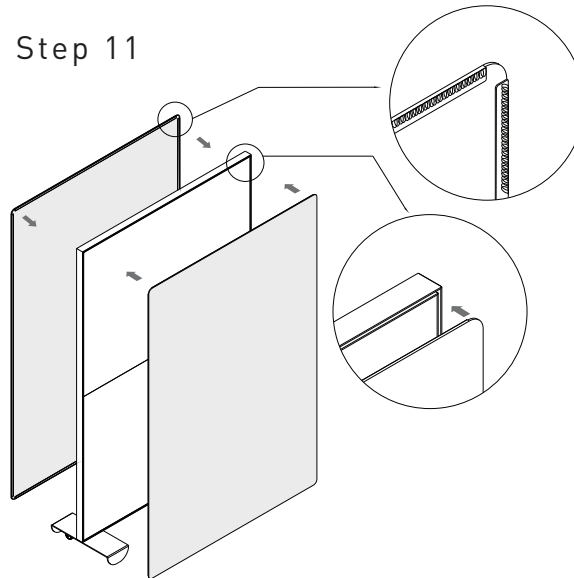
Step 9



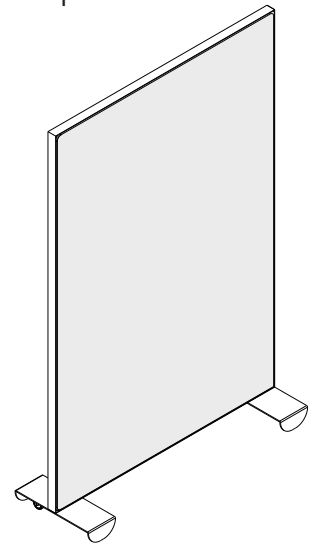
Step 10



Step 11



Step 12



Still have questions?
Drop us a line or give us a call:

Email: info@mioculture.com
US Toll Free: 1-888-563-3916
International: +1 (215) 925-9359

MIOCULTURE.COM



All trademarks, service marks and trade names (MIO, product names and the MIO logo) are owned and registered by MIO. All content including but not limited to text, designs, graphics, photos and all other content ("Content") is a collective work under the United States and other copyright laws and is the proprietary property of MIO. All rights reserved. ©2021 MIOOIM LLC.