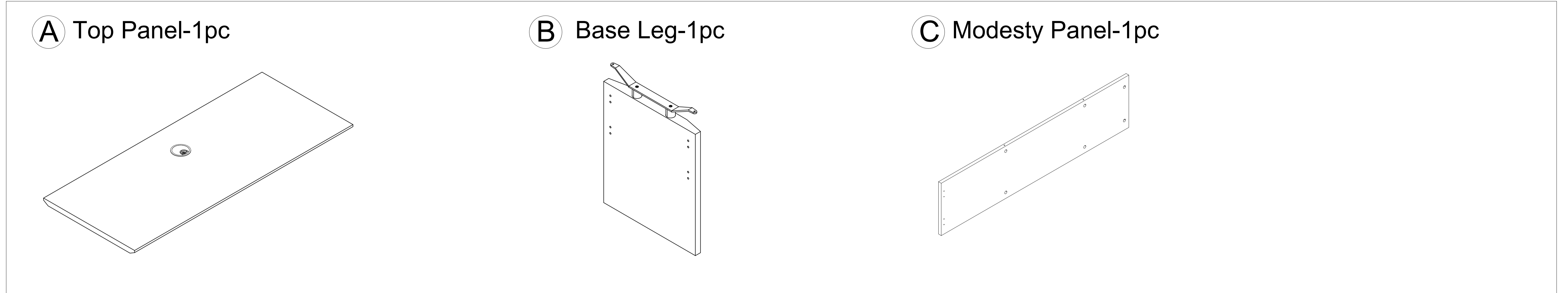
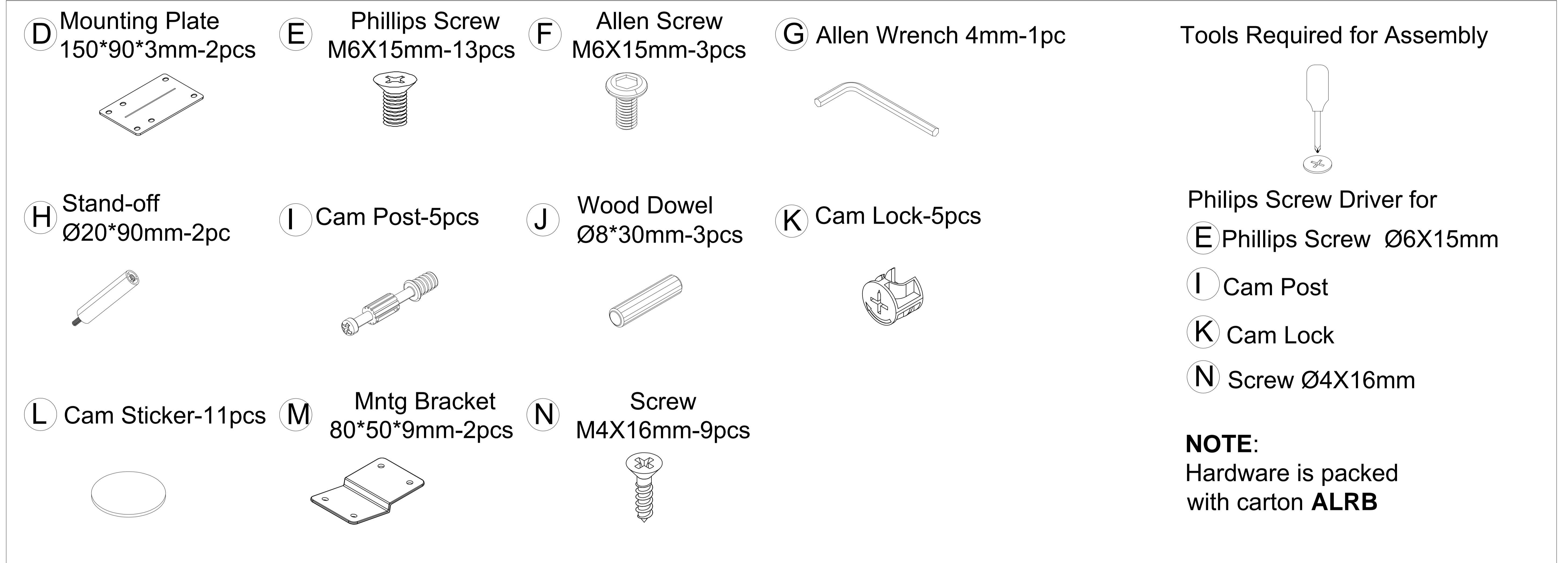


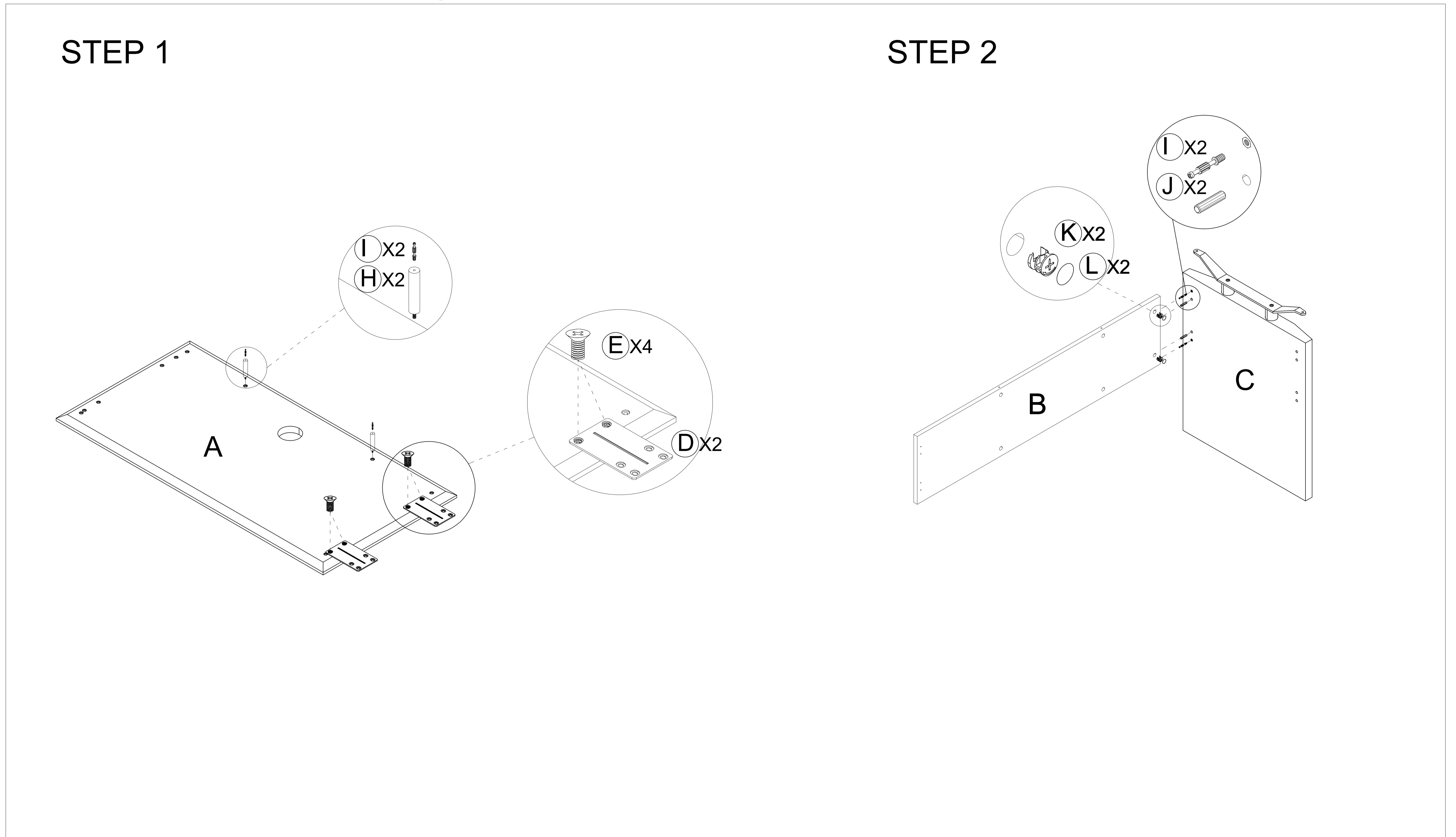
COMPONENTS



HARDWARE & TOOLS

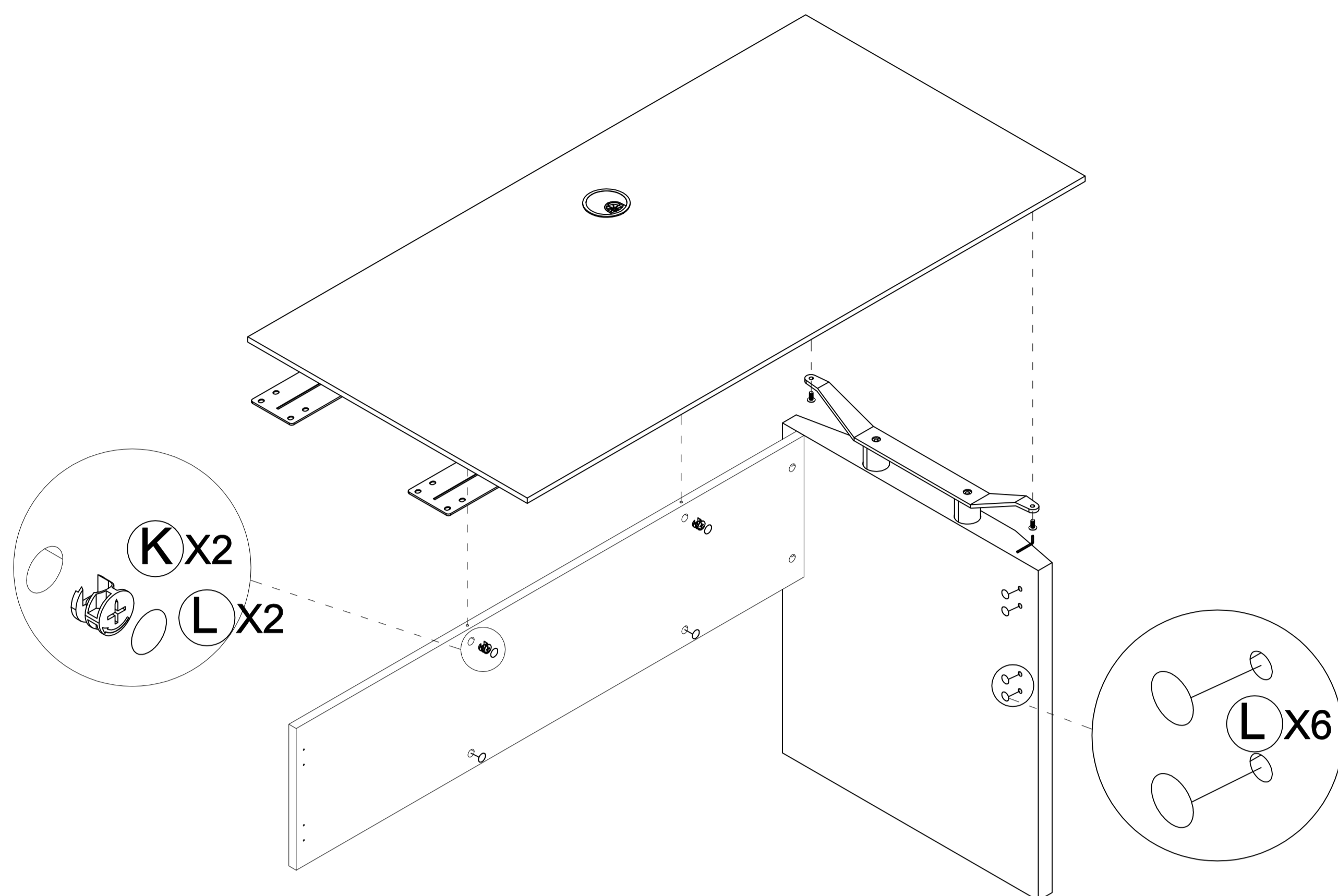


INSTRUCTIONS - Do not use power tools to assemble

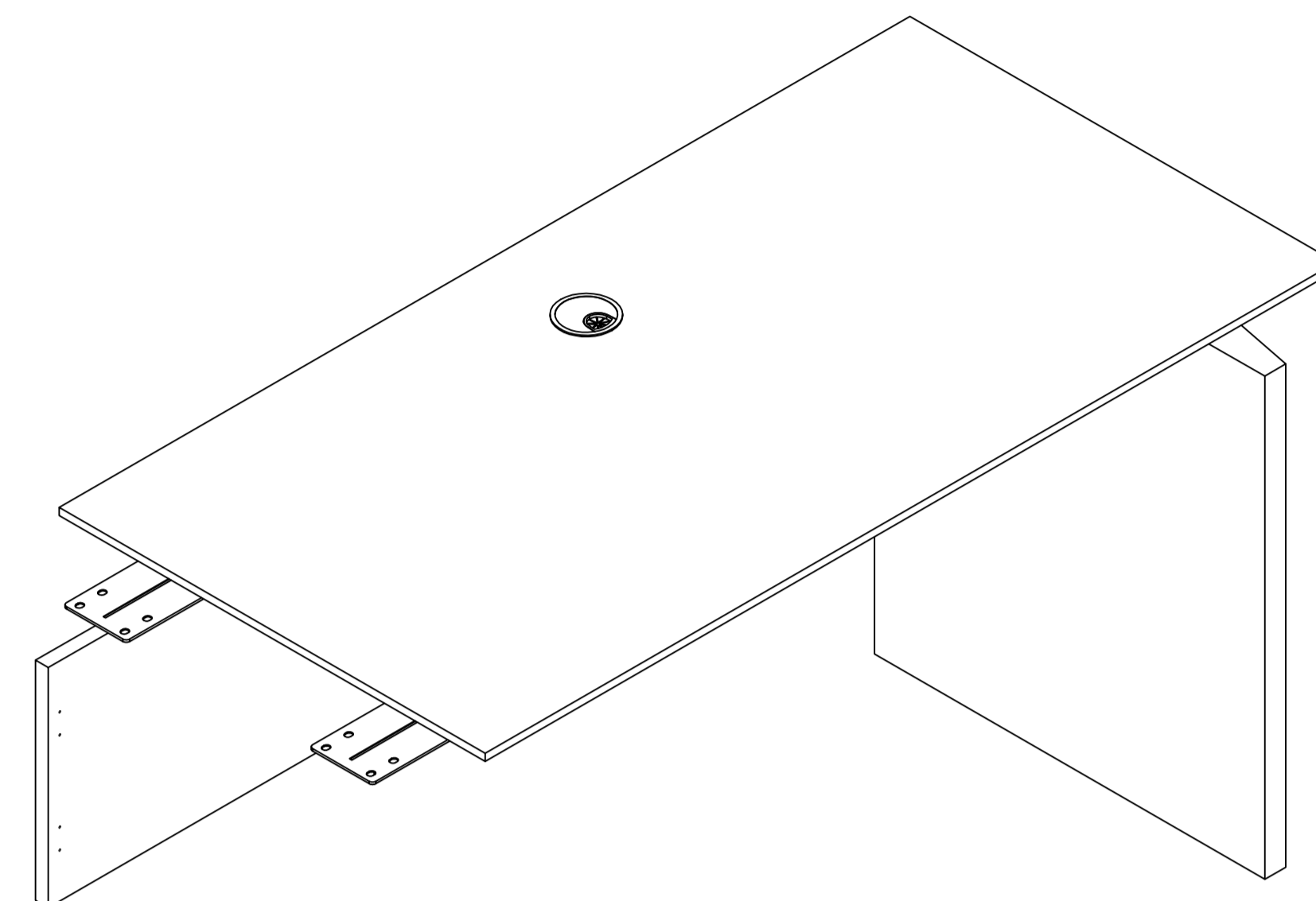


INSTRUCTIONS

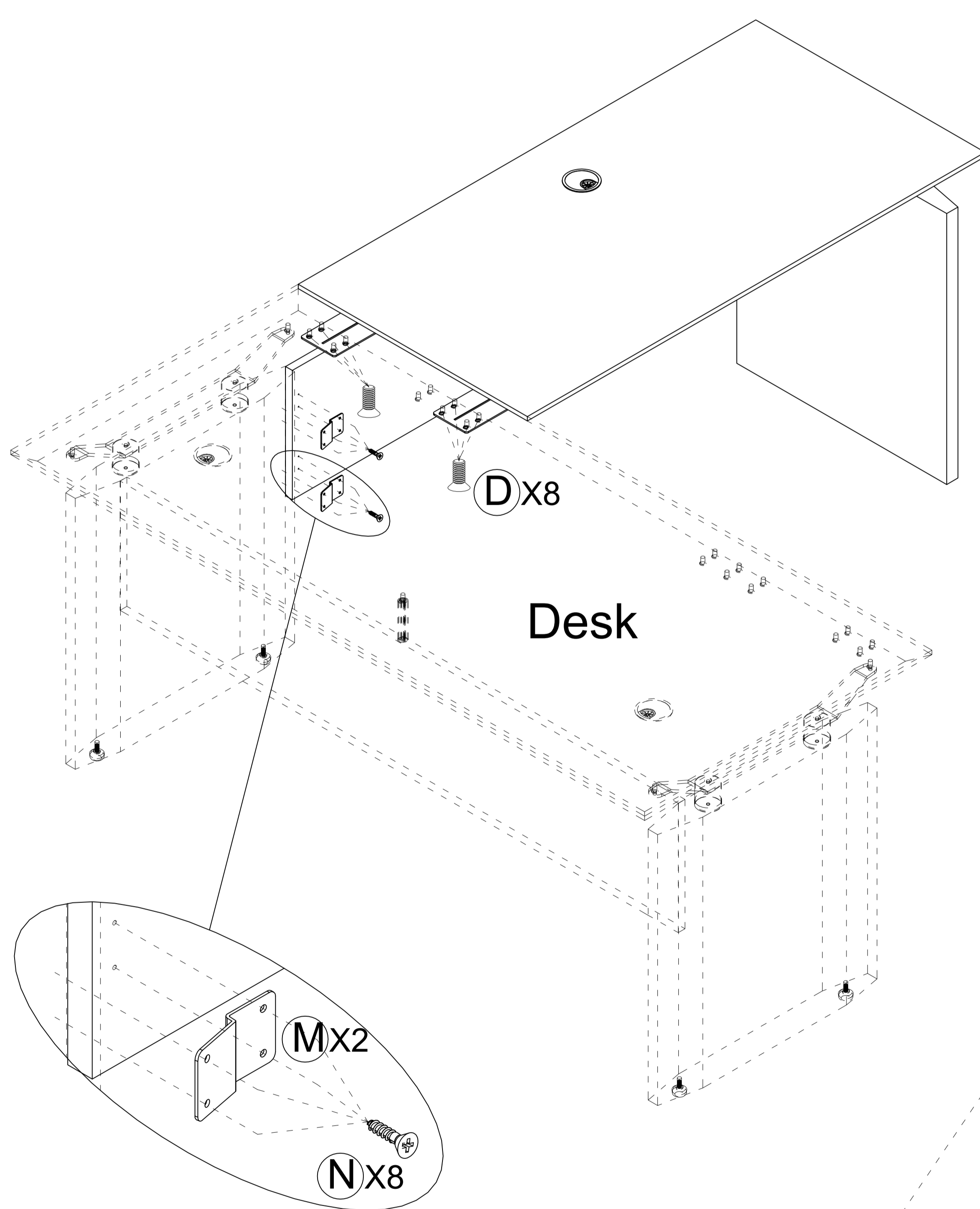
STEP 3



STEP 4



STEP 5 - Install Right or Left Side



OR

